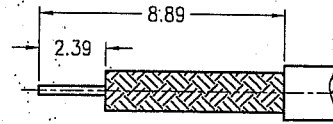


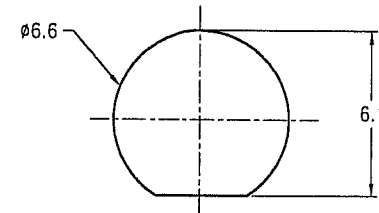
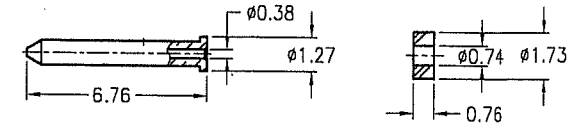
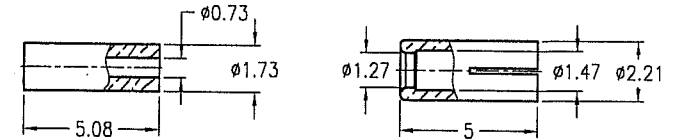
NOTES:

1. MATERIALS AND FINISHES
 BODY - BRASS, GOLD PLATING
 CONTACT - BRASS & BeCu, GOLD PLATING
 INSULATOR - PTFE
2. ELECTRICAL:
 A. IMPEDANCE: 50 OHM
 B. FREQUENCY RANGE: DC 0-3 GHz
 C. VSWR(RETURN LOSS): 1.28 MAX.
 D. DIELECTRIC WITHSTANDING VOLTAGE: 1000 VRMS, MIN.
3. MECHANICAL:
 A. DURABILITY: 500 CYCLES MIN.
 B. TEMPERATURE RANGE: -65°C to +165°C
4. CRIMPED BODY OVER INNER FERRULE
 HEX CRIMP SIZE .105"
5. SOLDER CONTACT TO CABLE CENTER CONDUCTOR

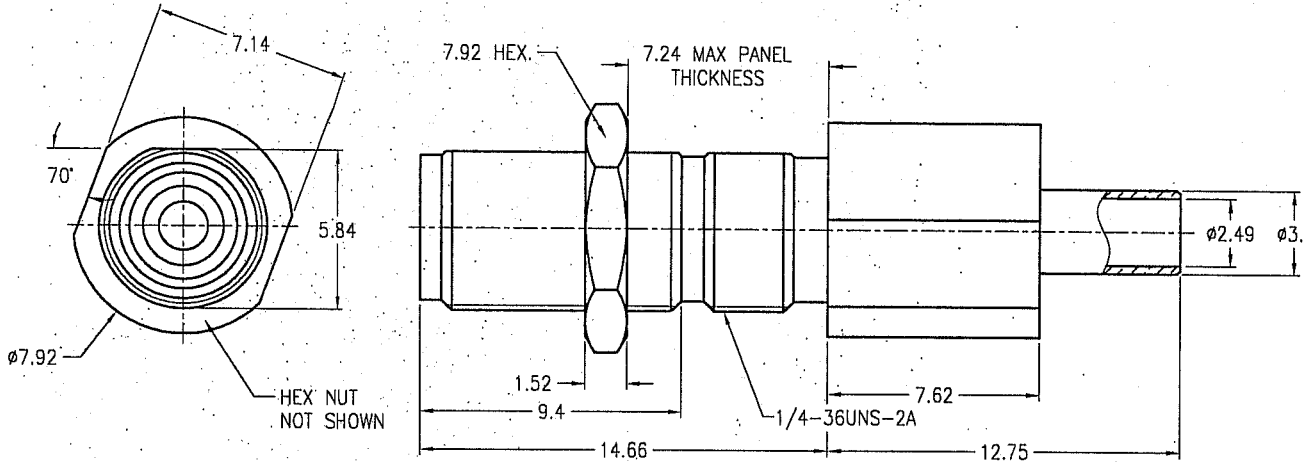
901-10165		REVISIONS			
DRAWING NO.	REV	DESCRIPTION	DATE	ECO	APPR
THIRD ANGLE PROJ.	A	RELEASE TO MFG.	06/13/06	--	MICHAEL
	B	SEE SHEET 1	24-Feb-09	--	20091



RECOMMENDED CABLE STRIPPING DIMENSIONS



RECOMMENDED MOUNTING HOLE DIMENSIONS



CUSTOMER OUTLINE DRAWING

ALL OTHER SHEETS ARE FOR INTERNAL USE ONLY

UNLESS OTHERWISE SPECIFIED, DIMENSIONS ARE IN METRIC AND TOLERANCES ARE: 0.5 - 6mm ±0.1mm 6 - 30mm ±0.2mm 30 - 120mm ±0.3mm ANGLES ±1°	MATERIAL	DRAWN MICHAEL	DATE 13-Jun-06	TITLE SMA BULKHEAD TO 1.32 MM CABLE	Amphenol RF Danbury, CT, USA Tainan, Taiwan Shenzhen, China www.amphenolrf.com	
	REFERENCE	ENGINEER G.WANG	DATE 13-Jun-06	APPROVED S.HSIEH	DATE 16-Jun-06	ITEM NO. 901-10165
NOTICE - These drawings, specifications, or other data (1) are, and remain the property of Amphenol Corp. (2) must be returned upon request; and (3) are confidential and not to be disclosed to any person other than those to whom they are given by Amphenol Corp. The furnishing of these drawings, specifications, or other data by Amphenol Corp., or to any other person to anyone for any purpose is not to be regarded by implication or otherwise in any manner licensing, granting rights or permitting such holder or any other person to manufacture, use or sell any product, process or design, patented or otherwise, that may in any way be related to or disclosed by said drawings, specifications, or other data.	FINISH	CAD FILE	CODE ID	DWG SIZE	DRAWING NO.	SCALE: 2.5/1 SHEET 2 OF 2
	PART NO.	F:\DWG\CNPD\901\10165-BSZ	74868	B	901-10165	REV B