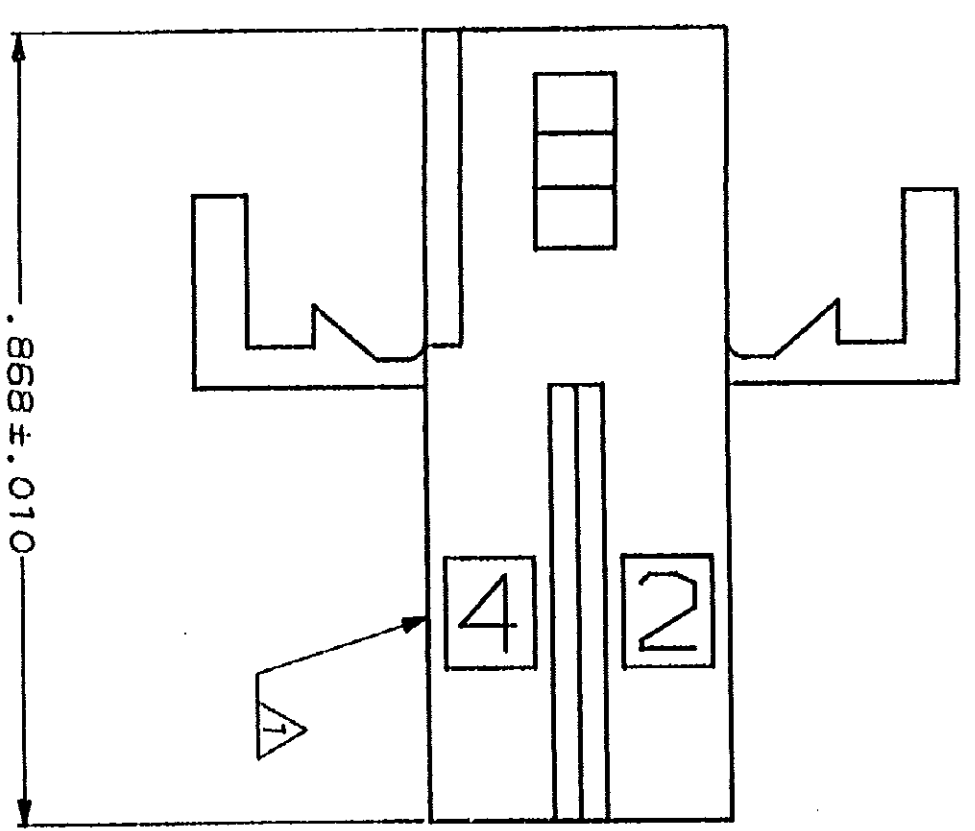
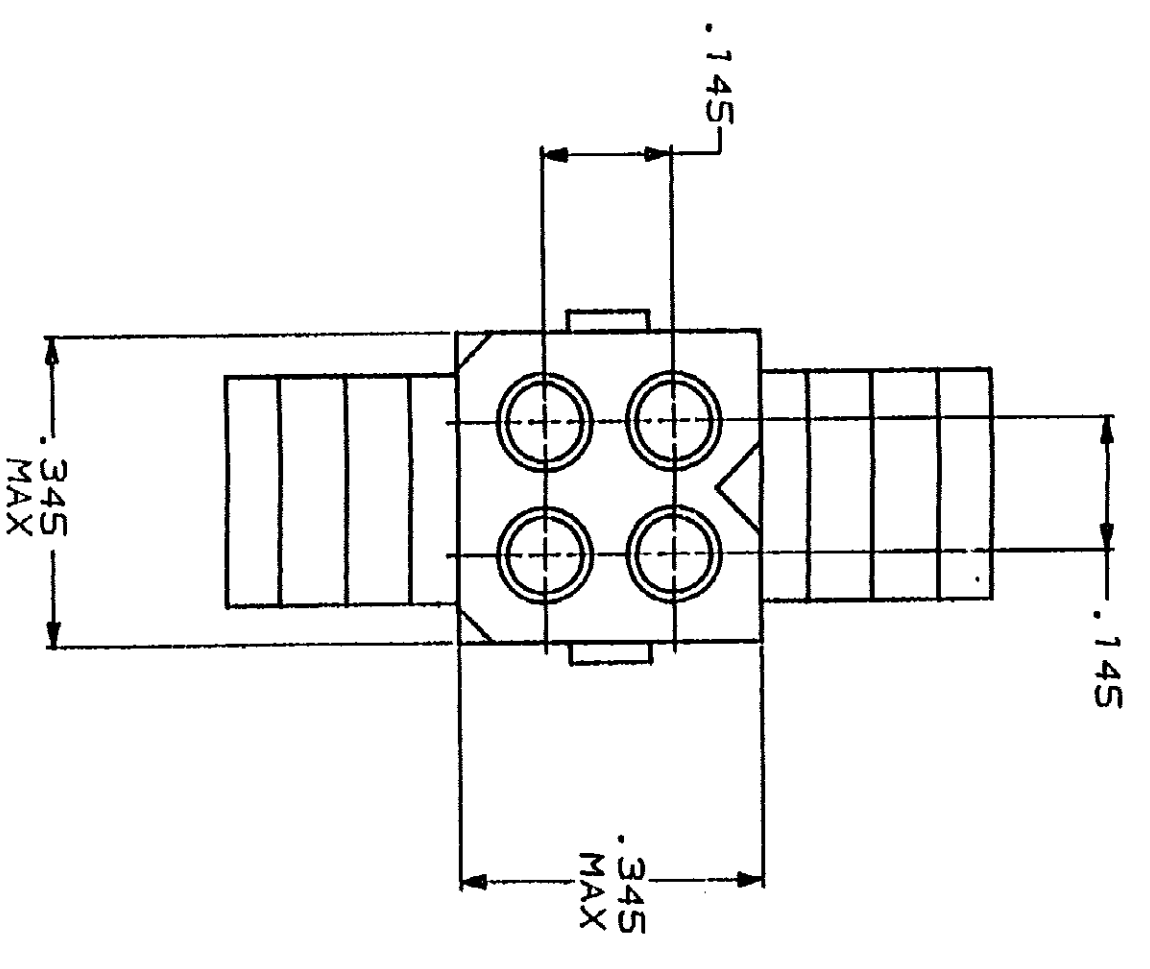
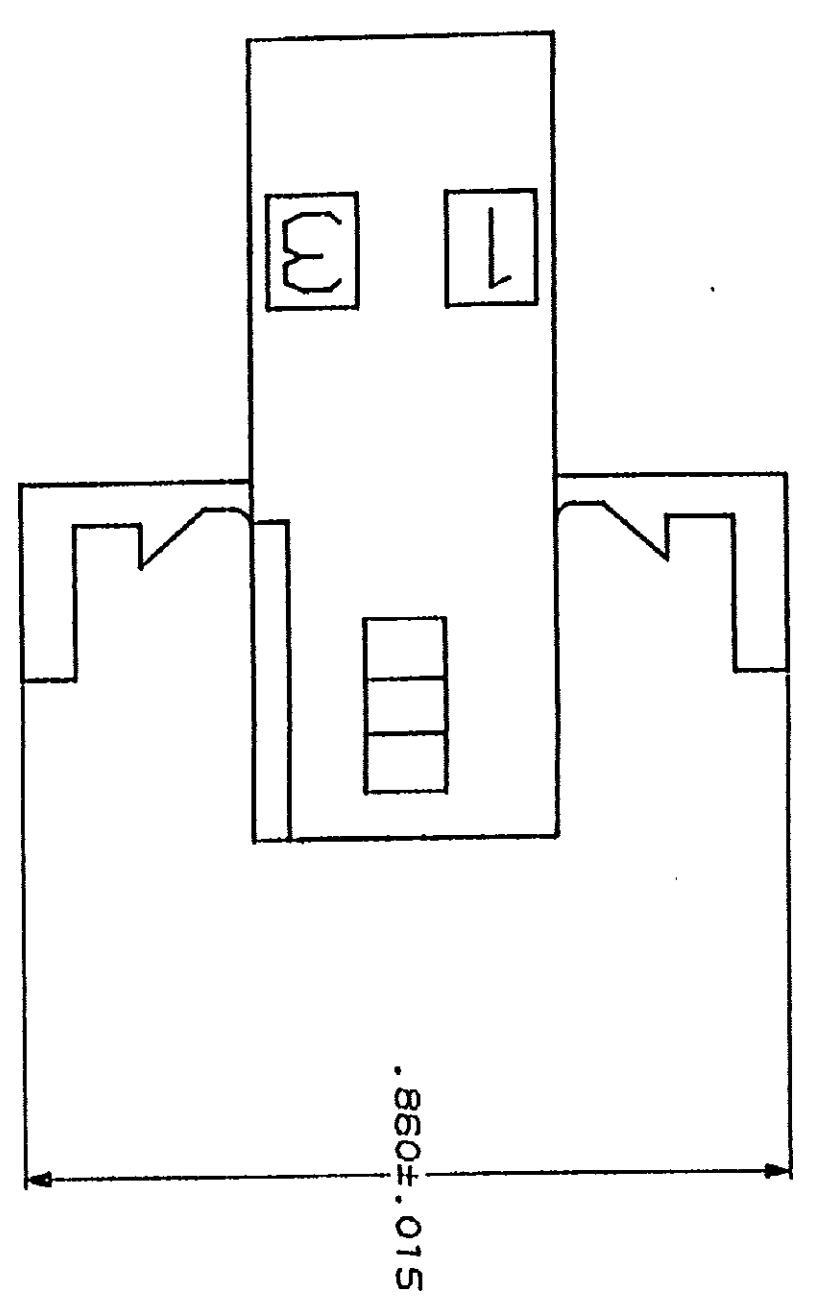
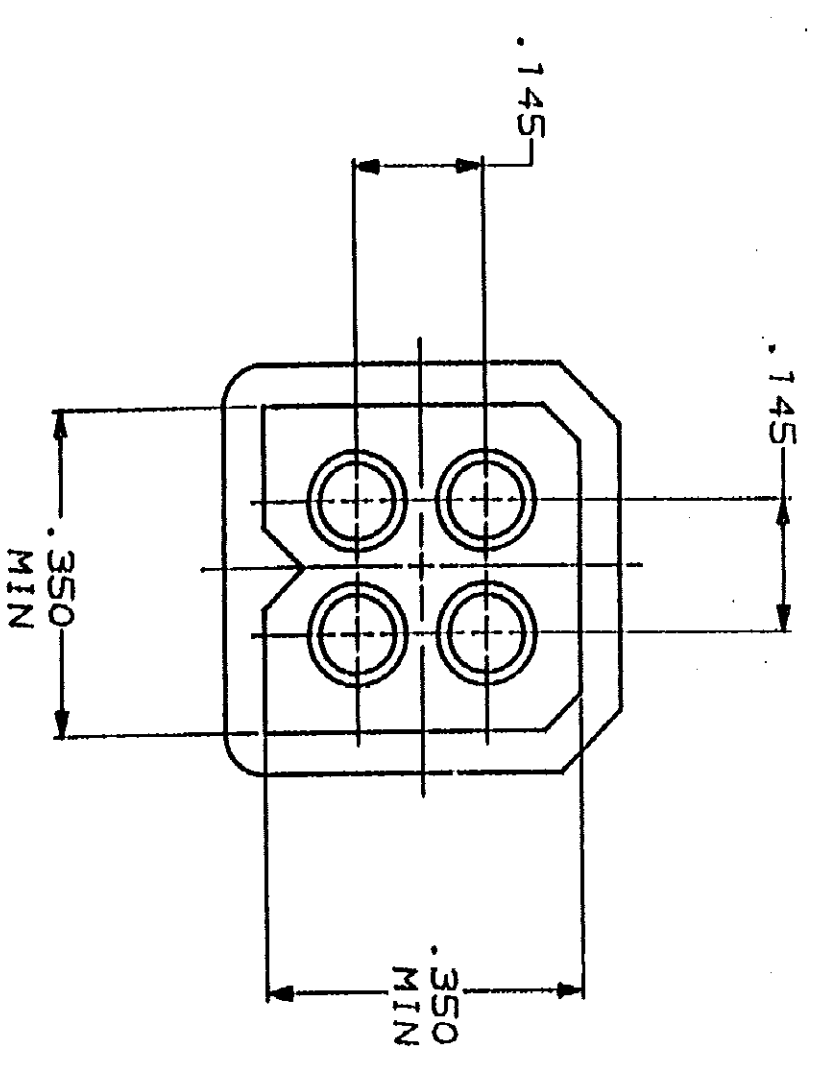


DRAWING MADE IN THIRD ANGLE PROJECTION  
 THIS DRAWING IS UNPUBLISHED. RELEASED FOR PUBLICATION  
 BY AMP INCORPORATED. ALL INTERNATIONAL RIGHTS RESERVED.  
 © COPYRIGHT 1983

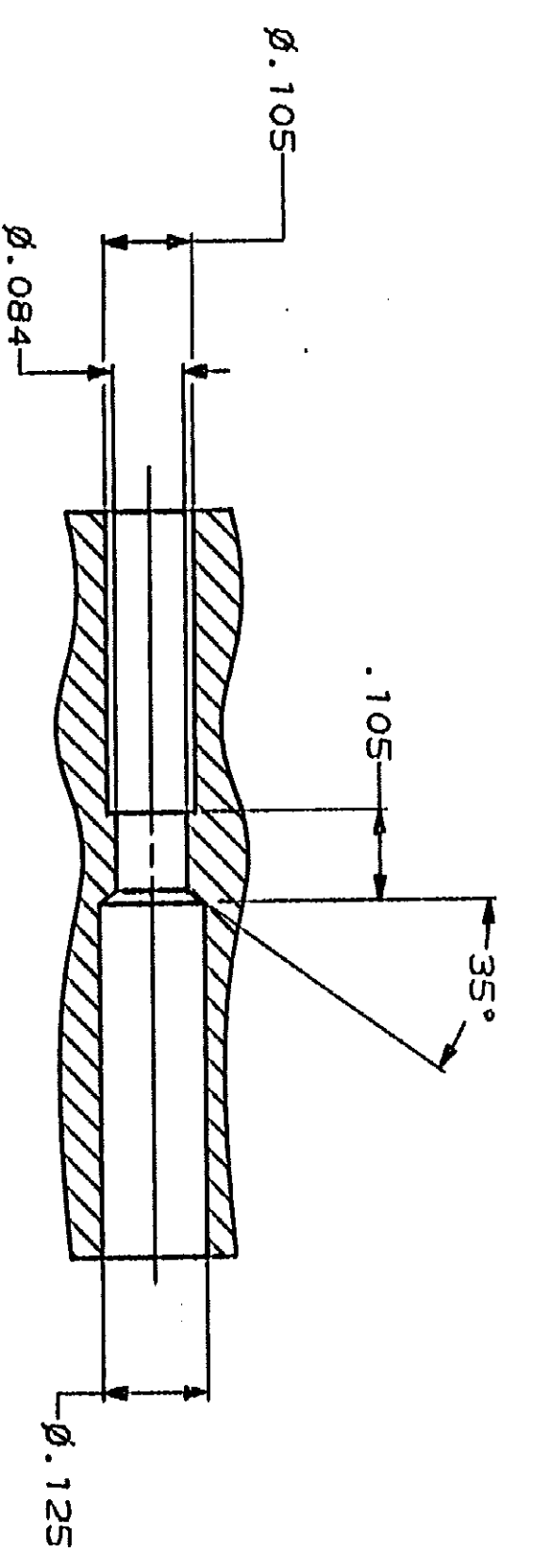
8 7 6 5 4 3 2 1



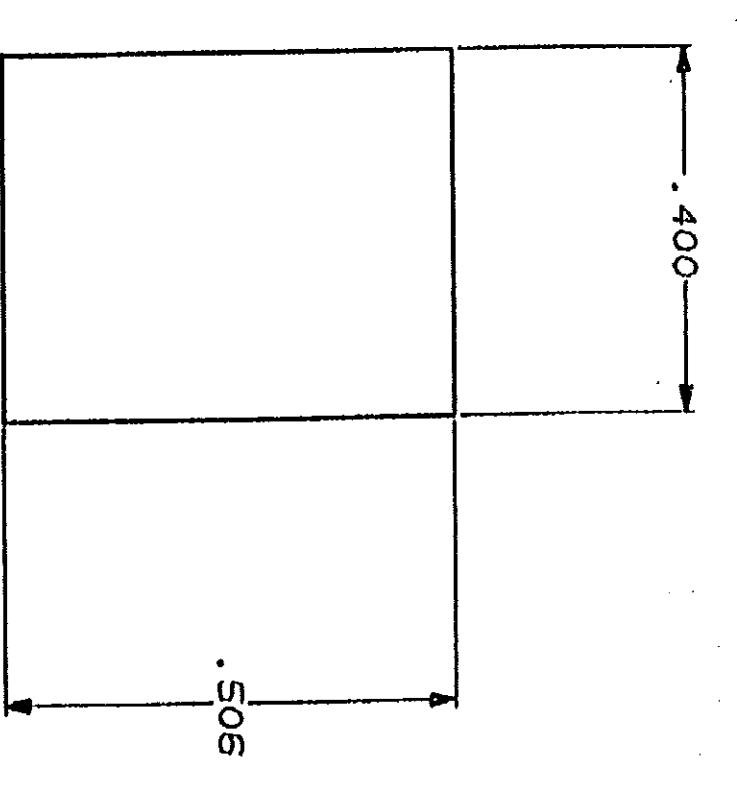
△ AMP LOGO LOCATED THIS SURFACE.



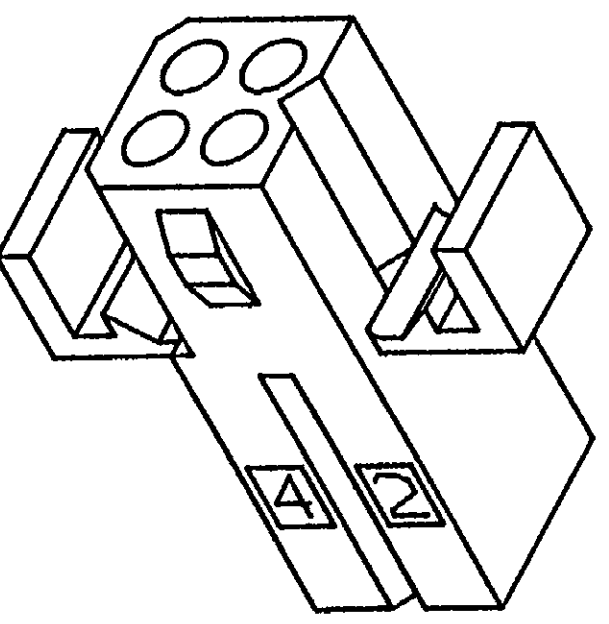
MATING CONNECTOR INTERFACE



TYPICAL RECEPTACLE CAVITY SECTION  
 (DIMENSIONS REFERENCE ONLY)

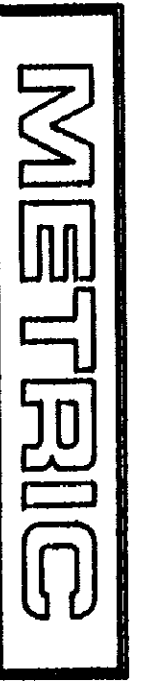


RECOMMENDED CUTOUT FOR  
 .060 MAX THICK PANEL



3-DIMENSIONAL MODEL  
 NTS

CONVERSION TABLE			
IN	MM	IN	MM
.145	3.68	.868	22.05
.062	1.57	.860	21.84
.060	1.52	.506	12.85
.015	0.38	.400	10.16
.010	0.25	.350	8.89
.005	0.13	.345	8.76



DO NOT SCALE PRINT. UNLESS SPECIFIED IN CHANGES TOLERANCES ON: 2 P.L.C. DEC ± .005 3 P.L.C. DEC ± .005 ANGLES MATERIAL		DR K. WHITTAKER 11-3-88	CHK R. SWINS 11-3-88	APP'D R. CARSON 11-4-88	DATE 11-4-88
NYLON, UL 94V-2, NATURAL		APPLICATION SPEC		SIZE D 00779	SCALE 5:1
RECEPTACLE, PANEL MOUNT, 4 CIRCUIT, .062 PIN AND SOCKET		AMP INCORPORATED AMP INCORPORATED MILWAUKEE, WIS. 53158		DRAWING NO 770441	
PART NO 770441-1		SHEET 1 OF 1		CUSTOMER DRAWING	

REV	DATE	APPROV	DESCRIPTION
1	8-11-82	CS	ADDED METRIC CONVERSION