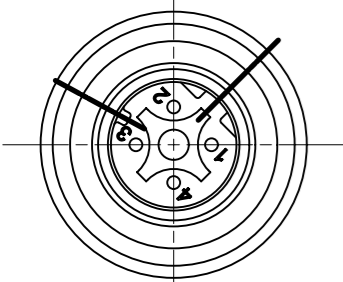


M12 4 POLE MALE



VIEW FROM THE FRONT SIDE

Pin	Wire color
1	WH/OG
2	WH/GN
3	OG
4	GN

SHIELD CONNECTED TO HOUSING

PART No. MATRIX

**E W W A 0 6 0 1 5 M X X X**

E=ETHERNET

HEADS:  
W=M12 4-Pole Ultra Lock D-Coding  
W=M12 4-Pole Ultra Lock D-Coding

HEADS STYLE:  
060=MALE STR / MALE STR

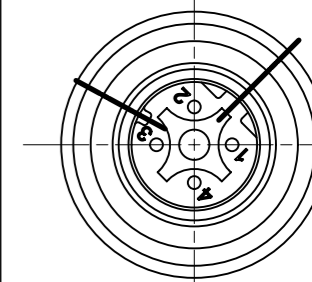
CABLE TYPE

UNITS:  
M=METER  
T=10x METER

LENGTH EXAMPLES:  
005=0.5m  
010=1m  
150=15m

WIRING TYPE:  
A=4 Pole (STRAIGHT WIRED)

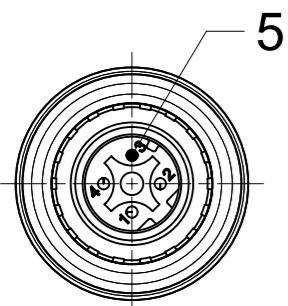
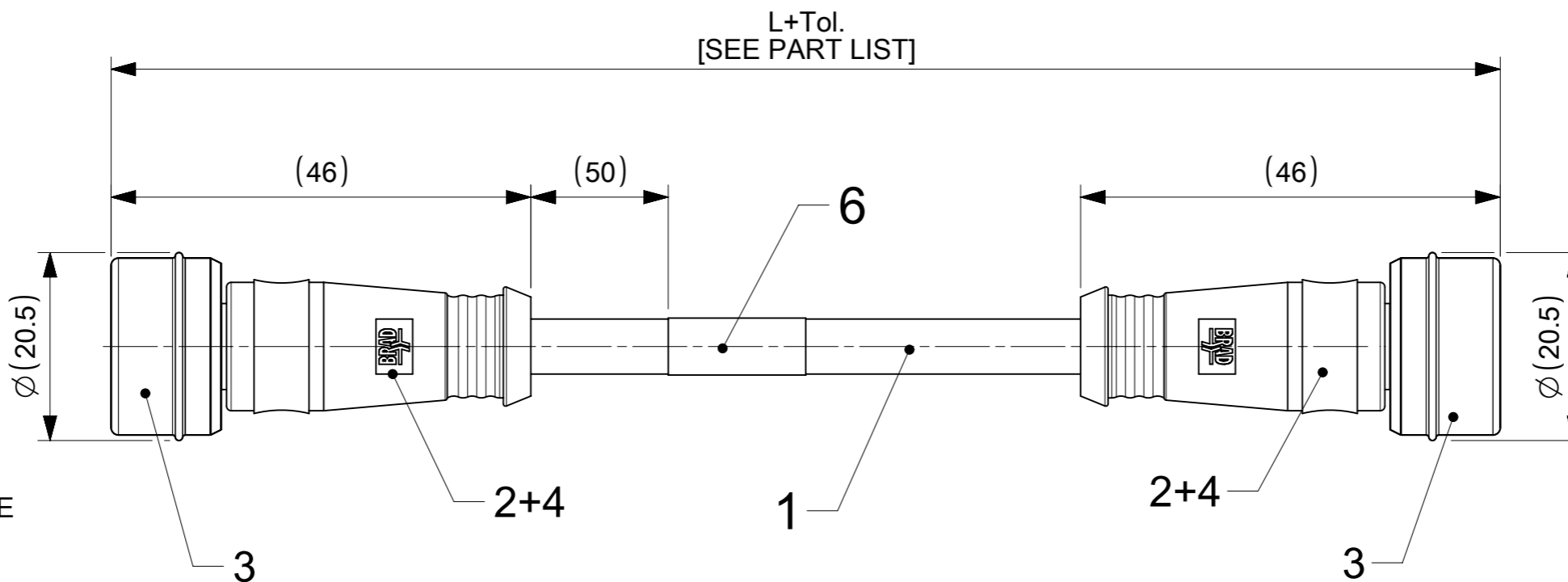
M12 4 POLE MALE



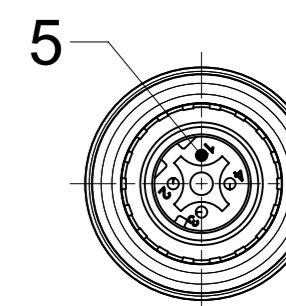
VIEW FROM THE FRONT SIDE

Pin	Wire color
1	WH/OG
2	WH/GN
3	OG
4	GN

SHIELD CONNECTED TO HOUSING



VIEW FROM THE FRONT SIDE



VIEW FROM THE FRONT SIDE

PART LIST

MOLEX PN	ENGINEERING No	L+Tol. [mm]
1201080041	EWWA06015M006	600 +45
1201080042	EWWA06015M010	1000+56
1201080043	EWWA06015M020	2000 +89
1201080044	EWWA06015M050	5000+165
1201080045	EWWA06015M100	10000+317
1201080147	EWWA06015M030	300+19

DOCUMENT STATUS	P1	RELEASE DATE	2022/04/22	06:35:55
-----------------	----	--------------	------------	----------

BOM

ITEM	QTY.	DESCRIPTION	MATERIAL	FINISH / COLOR
6	1	WRAP LABEL	VINYL	YELLOW
5	8	CONTACT MALE	BRASS	GOLD OVER Ni-PLATED
4	2	SLEEVE SHEILD	BRASS	Ni-PLATED
3	2	ULTRALOCK MALE ASSEMBLY	-	-
2	-	MOULDING MATERIAL	TPU	BLACK
1	-	CABLE 26-4 TEAL SHIELDED PVC CAT5E	PVC	TEAL

NOTES :

ACC. TO CAT5e ETHERNET STD.  
MAX. VOLTAGE : 30V  
MAX. CURRENT : 1.5A  
IP RATING : IP67  
TEMPERATURE RANGE : -20°C TO +75°C

FUNCTIONAL SYMBOLS	THIS DRAWING CONTAINS INFORMATION THAT IS PROPRIETARY TO MOLEX ELECTRONIC TECHNOLOGIES, LLC AND SHOULD NOT BE USED WITHOUT WRITTEN PERMISSION	CURRENT REV DESC:		<b>molex</b>																						
	<table border="1"> <tr> <th>FUNCTIONAL SYMBOLS</th> <th>DIMENSION UNITS</th> <th>SCALE</th> </tr> <tr> <td><math>\sqrt{A}</math></td> <td>mm</td> <td>3:2</td> </tr> <tr> <td><math>\sqrt{E}</math></td> <td colspan="2">GENERAL TOLERANCES (UNLESS SPECIFIED)</td> </tr> <tr> <td><math>\sqrt{F}</math></td> <td colspan="2">ANGULAR TOL ± 1.0°</td> </tr> <tr> <td><math>\sqrt{G}</math></td> <td>4 PLACES</td> <td>±</td> </tr> <tr> <td rowspan="4">DIVISIONAL SYMBOLS</td> <td>3 PLACES</td> <td>±</td> </tr> <tr> <td>2 PLACES</td> <td>± 0.05</td> </tr> <tr> <td>1 PLACE</td> <td>± 0.3</td> </tr> <tr> <td>0 PLACES</td> <td>± 0.5</td> </tr> </table>	FUNCTIONAL SYMBOLS	DIMENSION UNITS		SCALE	$\sqrt{A}$	mm	3:2	$\sqrt{E}$	GENERAL TOLERANCES (UNLESS SPECIFIED)		$\sqrt{F}$	ANGULAR TOL ± 1.0°		$\sqrt{G}$	4 PLACES	±	DIVISIONAL SYMBOLS	3 PLACES	±	2 PLACES	± 0.05	1 PLACE	± 0.3	0 PLACES	± 0.5
FUNCTIONAL SYMBOLS	DIMENSION UNITS	SCALE																								
$\sqrt{A}$	mm	3:2																								
$\sqrt{E}$	GENERAL TOLERANCES (UNLESS SPECIFIED)																									
$\sqrt{F}$	ANGULAR TOL ± 1.0°																									
$\sqrt{G}$	4 PLACES	±																								
DIVISIONAL SYMBOLS	3 PLACES	±																								
	2 PLACES	± 0.05																								
	1 PLACE	± 0.3																								
	0 PLACES	± 0.5																								
DRAFT WHERE APPLICABLE MUST REMAIN WITHIN DIMENSIONS 	THIRD ANGLE PROJECTION DRAWING: A3-SIZE SERIES: 120108	MATERIAL NUMBER: SEE PART LIST CUSTOMER: GENERAL MARKET SHEET NUMBER: 1 OF 1																								