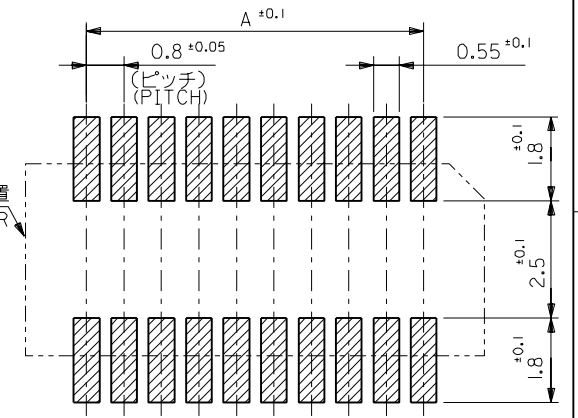
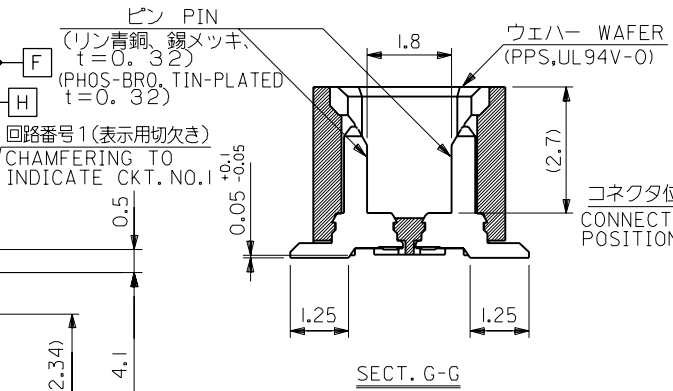


注記 NOTES  
 1. 嵌合相手: 52465,52588  
 MATE WITH: 52465,52588 SERIES  
 ウエハーの  $\phi$  から隣接するピンの  $\phi$  迄の位置を示す。  
 SHOW POSITION FROM  $\phi$  OF WAFER TO  $\phi$  OF ADJACENT PINS.



参考基板レイアウト (マウント面)  
 P.C.B. PATTERN LAYOUT (REF.) (MOUNT AREA)

|     |      |      |      |            |         |
|-----|------|------|------|------------|---------|
| 0.4 | 17.8 | 16.9 | 15.2 | 53307-4027 | 40      |
| 0.4 | 16.2 | 15.3 | 13.6 | -3627      | 36      |
| 0.8 | 15.4 | 14.5 | 12.8 | -3427      | 34      |
| 0.8 | 13.8 | 12.9 | 11.2 | -3027      | 30      |
| 0.4 | 13.0 | 12.1 | 10.4 | -2827      | 28      |
| 0.8 | 12.2 | 11.3 | 9.6  | -2627      | 26      |
| 0.4 | 11.4 | 10.5 | 8.8  | -2427      | 24      |
| 0.8 | 10.6 | 9.7  | 8.0  | -2227      | 22      |
| 0.4 | 9.8  | 8.9  | 7.2  | -2027      | 20      |
| 0.8 | 9.0  | 8.1  | 6.4  | -1827      | 18      |
| 0.4 | 8.2  | 7.3  | 5.6  | -1627      | 16      |
| 0.8 | 7.4  | 6.5  | 4.8  | -1427      | 14      |
| 0.4 | 6.6  | 5.7  | 4.0  | -1227      | 12      |
| 0.8 | 5.8  | 4.9  | 3.2  | 53307-1027 | 10      |
| D   | C    | B    | A    | ENG. NO.   | 極数 CKT. |

|                         |               |        |                       |          |         |
|-------------------------|---------------|--------|-----------------------|----------|---------|
| 角度 ANGLE                | $\pm 3^\circ$ |        |                       |          |         |
| 30以上 OVER               | +0.3          | B      | 変更 REVISION (JCT0882) | 97/4/1   |         |
| 10以上 30未満 UNDER         | +0.25         | A      | 変更 REVISION (JC60094) | 95/8/9   |         |
| 10未満 UNDER              | +0.2          | O      | 新規作成 PROPOSED (J1100) | 91/11/16 |         |
| 一般公差 GENERAL TOLERANCES |               | 記号 LTR | 変更内容 REVISION RECORD  | DR. DATE | 日付 DATE |

|                    |                  |
|--------------------|------------------|
| 材料 MATERIAL        | 図中参照 SEE DRAWING |
| 仕上げ FINISH         | —                |
| 適用電線範囲 WIRE RANGE  | —                |
| 被覆外径 INS. RANGE    | —                |
| DRAWN BY '91/11/14 | CHK'D BY '97/4/1 |
| K.ASAKAWA          | Y.MIZUNO         |
| APP'D BY '97/4/1   | 尺 寸 尺 度          |
| M.FUKUSHIMA        | —                |

**molex** MOLEX-JAPAN CO.,LTD.  
 日本モレックス株式会社

REVISE ONLY ON CAD SYSTEM

TITLE 名称  
 0.8 BOARD TO BOARD CONN.  
 WAFER ASS'Y ST. SMT  
 (WITHOUT BOSS)

DWG. NO. (SHEET 1 OF 2) REV  
 SD-53307-\*\*-27 B

