

THE INFORMATION CONTAINED HEREIN IS CONSIDERED "PROPRIETARY" TO BEL FUSE INC. AND SHALL NOT BE COPIED, REPRODUCED OR DISCLOSED WITHOUT THE WRITTEN APPROVAL OF BEL FUSE INC.

RoHS



LED 2 & 4 POLARITY			LED 1 & 3 POLARITY		
PIN 11	PIN 12	COLOR	PIN 13	PIN 14	COLOR
-	+	YELLOW	-	+	YELLOW
+	-	GREEN	+	-	GREEN

ELECTRICAL CHARACTERISTICS @ 25°C

URNS RATIO

TP1	1CT : 1CT ±2%
TP2	1CT : 1CT ±2%
TP3	1CT : 1CT ±2%
TP4	1CT : 1CT ±2%

□CL @ 100kHz/100mVRMS

8mA DC BIAS 350µH MIN.

INS. LOSS

0.1MHz TO 1MHz	-1.1 dB MAX
1MHz TO 65MHz	-0.5 dB MAX
65MHz TO 100MHz	-0.8 dB MAX
100MHz TO 125MHz	-1.2 dB MAX

RET. LOSS (MIN)

0.5MHz-40MHz	-18 dB
40MHz-100MHz	-12+20LOG(f/80MHz) dB

CM TO CM REJ

100kHz - 100MHz -30 dB MIN

CM TO DM REJ

100kHz - 100MHz -35 dB MIN

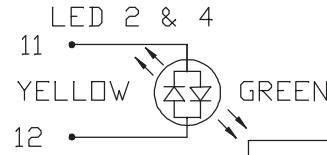
HIPOT (Isolation Voltage):

1500 Vrms

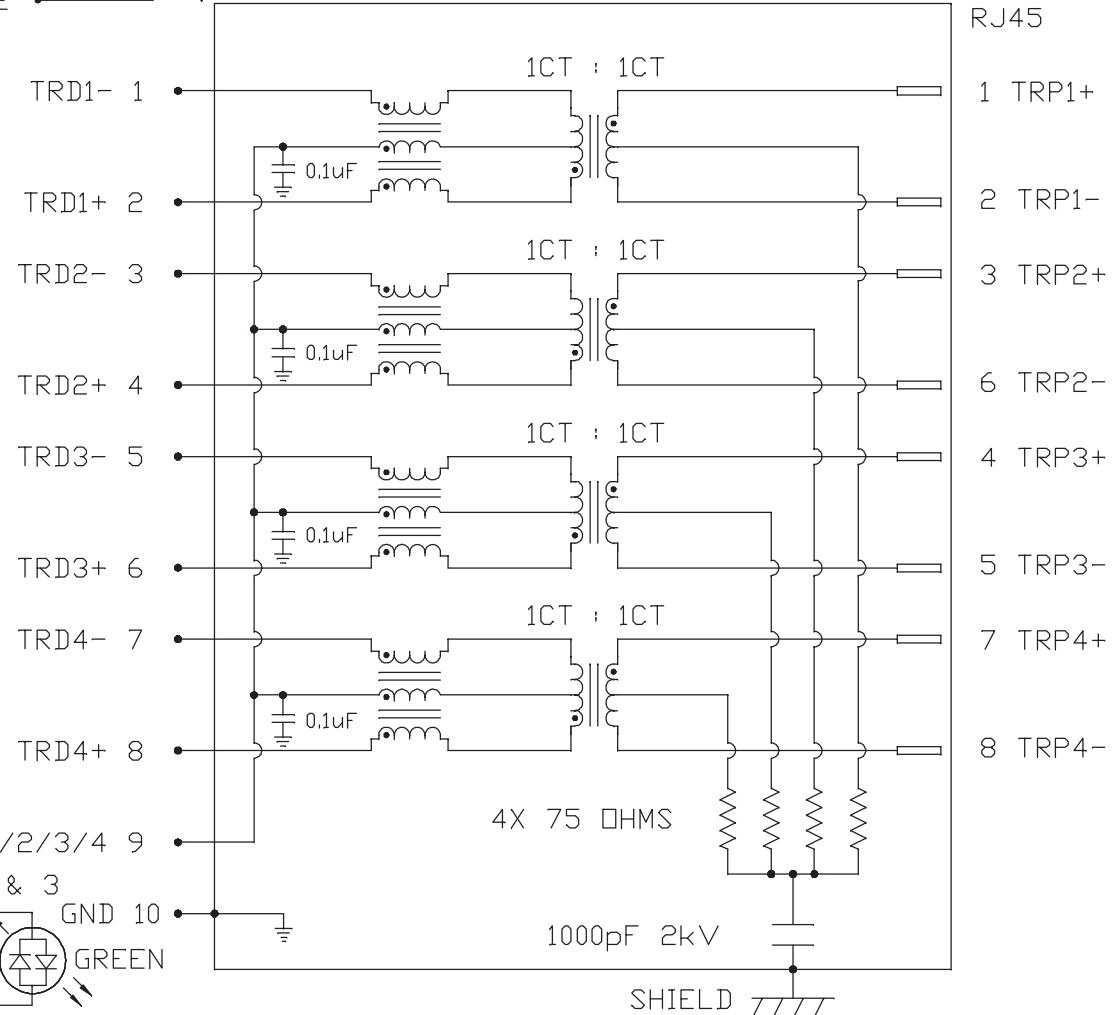
100% OF PRODUCTION TESTED TO COMPLY WITH IEEE 802.3 ISOLATION REQUIREMENTS.

LEDS 1, 2, 3 AND 4

V _F (FORWARD VOLTAGE)	IF=20mA GREEN 2.2V TYP.	IF=20mA YELLOW 2.1V TYP.
λ _D (DOMINANT WAVELENGTH)	IF=20mA GREEN 570nm TYP.	IF=20mA YELLOW 590nm TYP.



SCHEMATIC

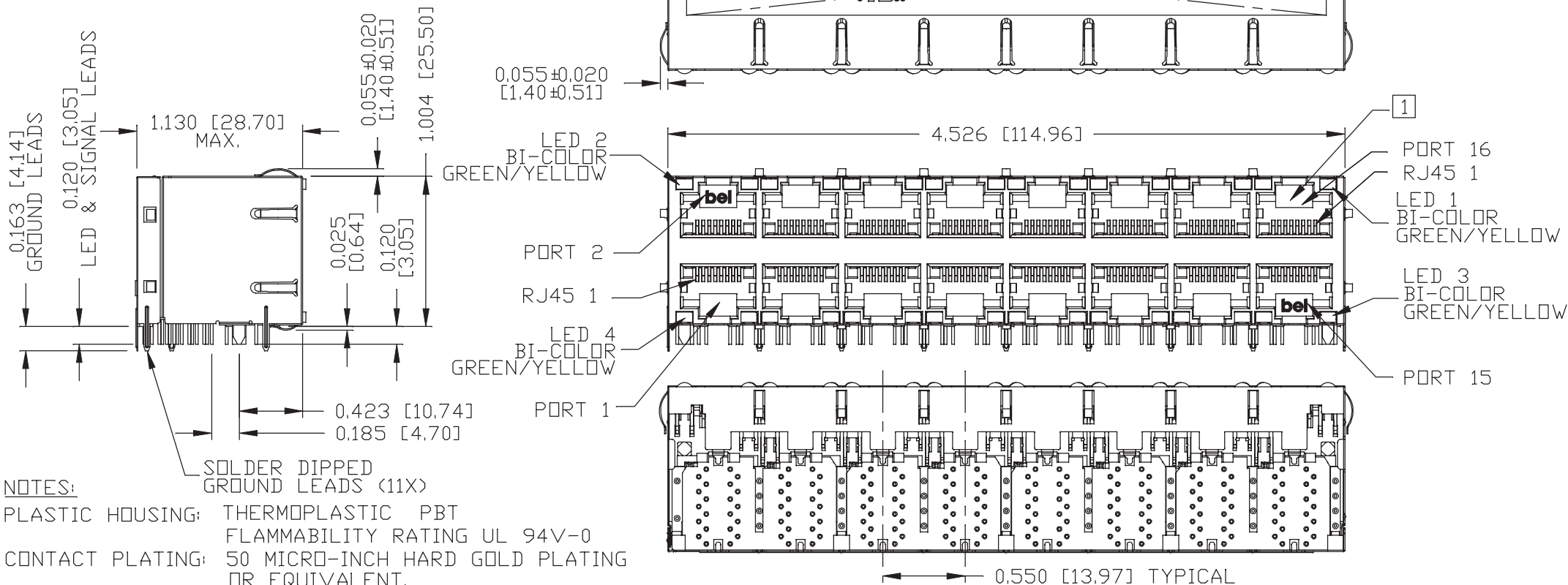


REV. : C PAGE : 2

ORIGINATED BY CHOW WANCHUNG DATE 2015-06-30	TITLE 2X8 gigabit MagJack® WITH UPPER AND LOWER LED (8 Cores) PATENTED	PART NO. / DRAWING NO. 0879-2C8R-54	STANDARD DIM. TOL. IN INCH	[] METRIC DIM. AS REF.	<p>a bel group</p>
DRAWN BY LI ZHENGZHONG DATE 2015-06-30	FILE NAME 0879-2C8R-54_C.DWG	.X	UNIT : INCH [mm]	SCALE : N/A	
		.XX	SIZE : A4		

THE INFORMATION CONTAINED HEREIN IS CONSIDERED "PROPRIETARY" TO BEL FUSE INC, AND SHALL NOT BE COPIED, REPRODUCED OR DISCLOSED WITHOUT THE WRITTEN APPROVAL OF BEL FUSE INC.

RoHS



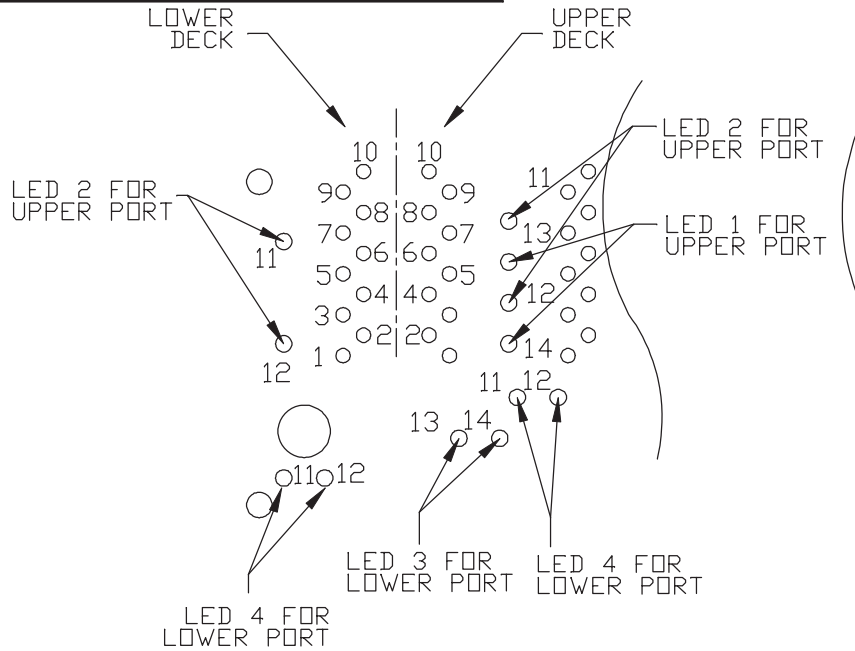
NOTES:
 PLASTIC HOUSING: THERMOPLASTIC PBT
 FLAMMABILITY RATING UL 94V-0
 CONTACT PLATING: 50 MICRO-INCH HARD GOLD PLATING OR EQUIVALENT.
 OUTPUT PINS: TIN-COATED COPPER WIRE, DIA 0.018 INCH.
 METAL SHIELD: NICKEL PLATED ON COPPER ALLOY,
 (ALL GROUND LEADS ARE SOLDER DIPPED)

- [1] JACK CAVITY CONFORMS TO FCC RULES AND REGULATIONS, PART 68 SUBPART F.
- [2] MARK PART WITH MFG LOGO, MFG NAME, PART NUMBER, DATE CODE AND PATENTED.

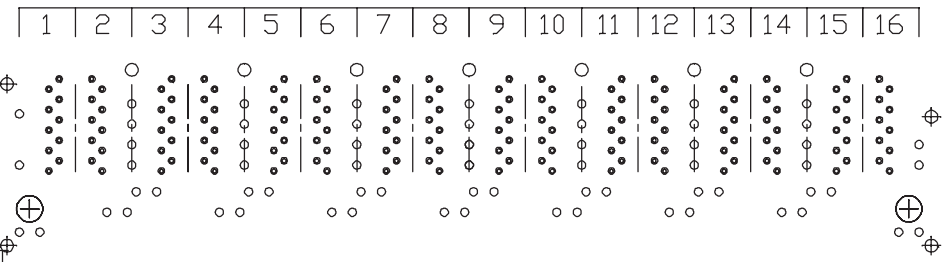
UL RECOGNIZED - FILE #E196366 AND E169987.
 3. THE PRODUCT IS RoHS COMPLIANT.
 4. THE PRODUCT IS PATENTED. THE PATENT NUMBER ARE U.S. PAT. 7,123,117 AND U.S. PAT. 5,736,910 AND U.S. PAT. 6,840,817.

ORIGINATED BY LI QUANKUN DATE 2015-06-30		TITLE 2X8 gigabit MagJack® WITH UPPER AND LOWER LED (8 Cores) PATENTED		PART NO. / DRAWING NO. 0879-2C8R-54		STANDARD DIM. TOL. IN INCH .X .XX .XXX ±0.010		[] METRIC DIM. AS REF. UNIT : INCH [mm] SCALE : N/A SIZE : A4		REV. : C	PAGE : 3
DRAWN BY ZHANG XUEZHENG DATE 2015-06-30				FILE NAME 0879-2C8R-54_C.DWG							

THE INFORMATION CONTAINED HEREIN IS CONSIDERED "PROPRIETARY" TO BEL FUSE INC. AND SHALL NOT BE COPIED, REPRODUCED OR DISCLOSED WITHOUT THE WRITTEN APPROVAL OF BEL FUSE INC.

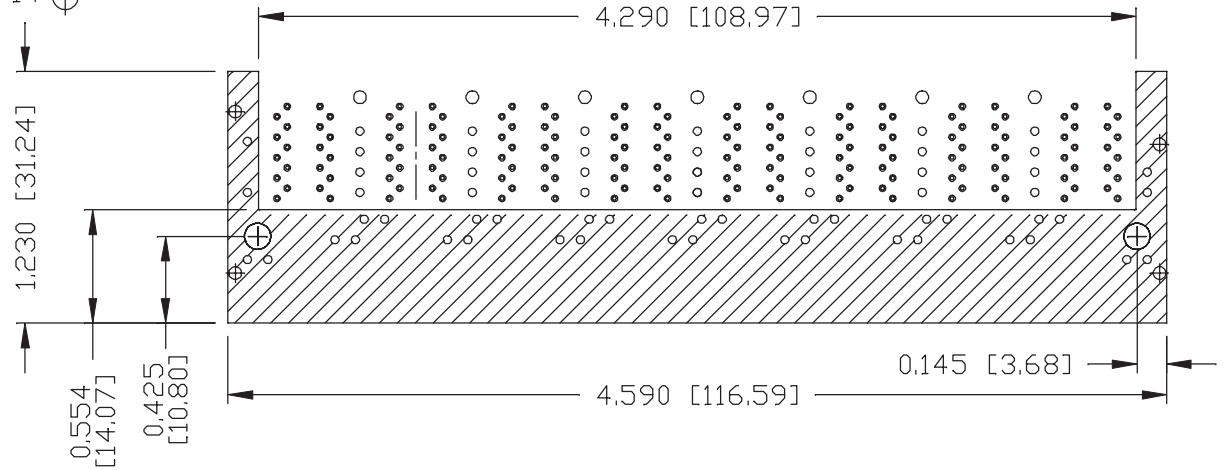


PORT ASSIGNMENT
(COMPONENT SIDE VIEW)



PIN-OUT INFORMATION
(COMPONENT SIDE VIEW)

10	GND		
9	TRCT1/2/3/4		
8	TRD 4+		
7	TRD 4-		
6	TRD 3+		
5	TRD 3-		
4	TRD 2+	14	GRN (-)/YEL (+)
3	TRD 2-	13	GRN (+)/YEL (-)
2	TRD 1+	12	GRN (-)/YEL (+)
1	TRD 1-	11	GRN (+)/YEL (-)



THE SHADED AREA ON THE CUSTOMER BOARD ARE RECOMMENDED TO BE CLEAR OFF ANY VIA HOLE OR COMPONENT PAD.

REV. : C PAGE : 4

ORIGINATED BY
LI QUANKUN
DATE 2015-06-30
DRAWN BY
ZHANG XUEZHENG
DATE 2015-06-30

TITLE
2X8 gigabit MagJack®
WITH UPPER AND LOWER LED
(8 Cores)
PATENTED

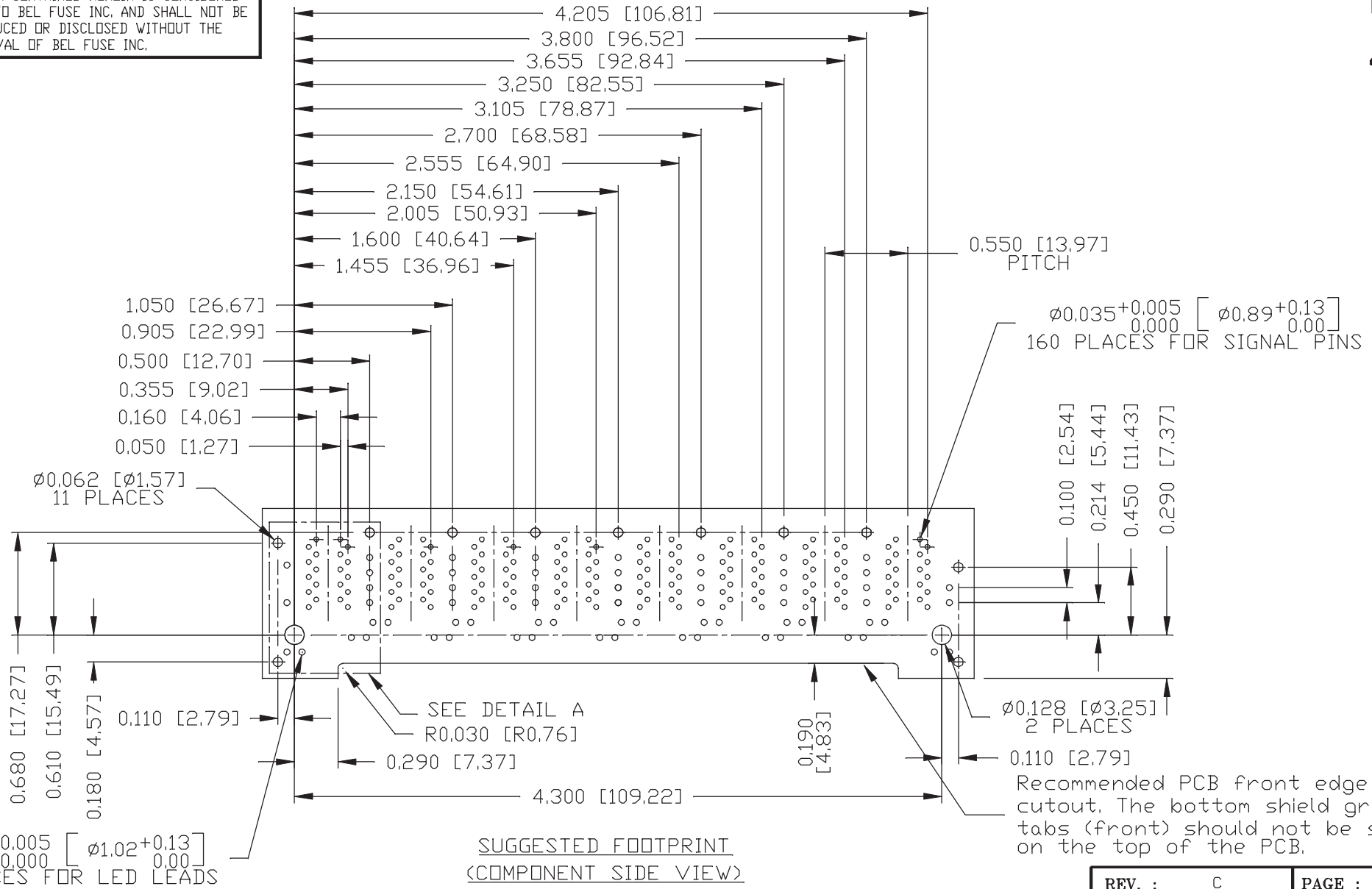
PART NO. / DRAWING NO.
0879-2C8R-54
FILE NAME
0879-2C8R-54_C.DWG

STANDARD DIM. TOL. IN INCH		[] METRIC DIM. AS REF.	
.X		UNIT : INCH [mm]	
.XX		SCALE : N/A	
.XXX	±0.004	SIZE : A4	



THE INFORMATION CONTAINED HEREIN IS CONSIDERED "PROPRIETARY" TO BEL FUSE INC. AND SHALL NOT BE COPIED, REPRODUCED OR DISCLOSED WITHOUT THE WRITTEN APPROVAL OF BEL FUSE INC.

RoHS



SUGGESTED FOOTPRINT
(COMPONENT SIDE VIEW)

Recommended PCB front edge cutout. The bottom shield ground tabs (front) should not be seated on the top of the PCB.

ORIGINATED BY
LI QUANKUN
DATE 2015-06-30
DRAWN BY
ZHANG XUEZHENG
DATE 2015-06-30

TITLE
2X8 glgabit MagJack®
WITH UPPER AND LOWER LED
(8 Cores)
PATENTED

PART NO. / DRAWING NO.
0879-2C8R-54
FILE NAME
0879-2C8R-54_C.DWG

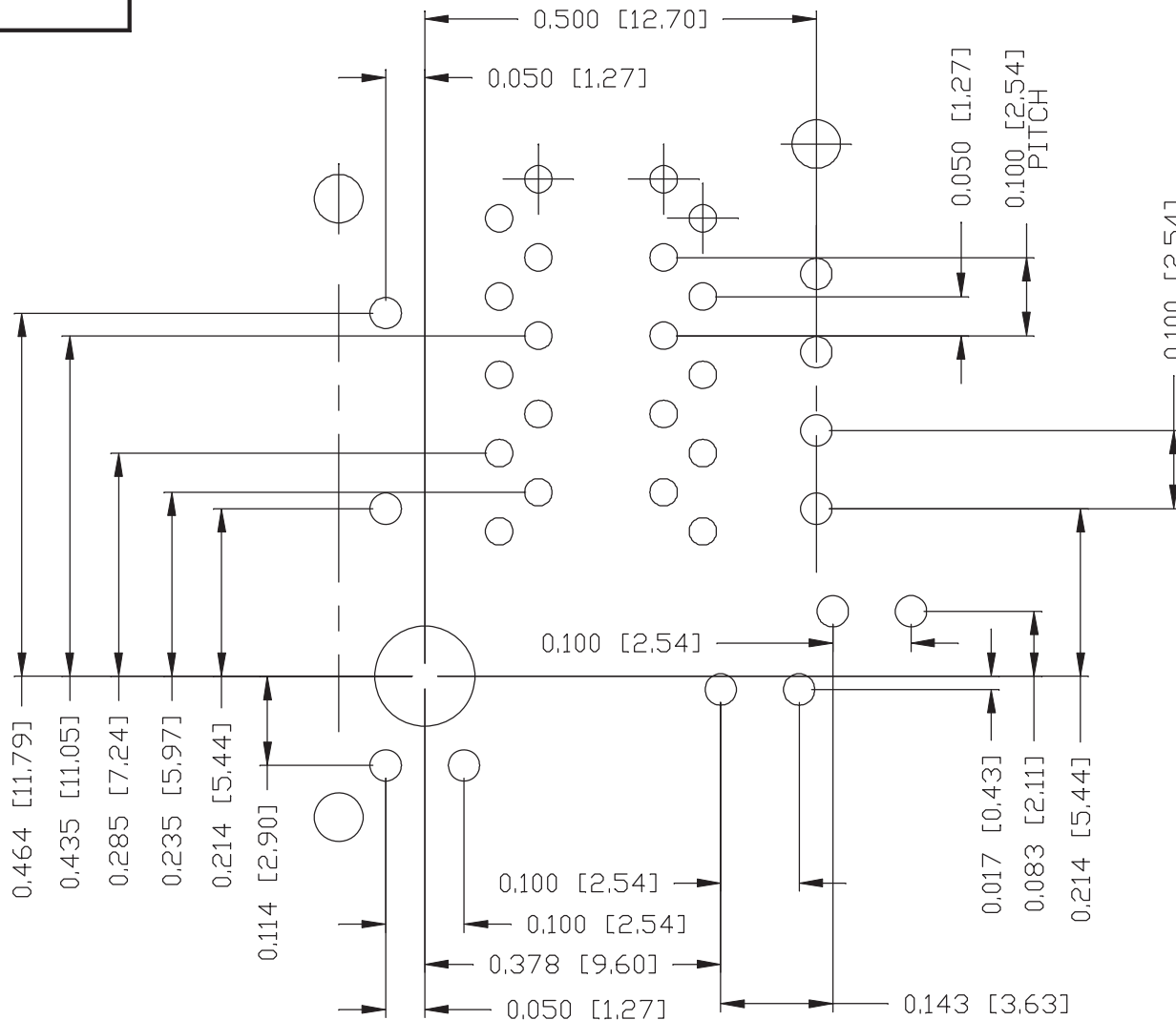
STANDARD DIM. TOL. IN INCH	[] METRIC DIM. AS REF.
.X	UNIT : INCH [mm]
.XX	SCALE : N/A
.XXX ±0.004	SIZE : A4

REV. : C PAGE : 5



THE INFORMATION CONTAINED HEREIN IS CONSIDERED "PROPRIETARY" TO BEL FUSE INC. AND SHALL NOT BE COPIED, REPRODUCED OR DISCLOSED WITHOUT THE WRITTEN APPROVAL OF BEL FUSE INC.

RoHS



DETAIL A

REV. : C PAGE : 6

ORIGINATED BY
LI QUANKUN
DATE 2015-06-30
DRAWN BY
ZHANG XUEZHENG
DATE 2015-06-30

TITLE
2X8 gigabit MagJack®
WITH UPPER AND LOWER LED
(8 Cores)
PATENTED

PART NO. / DRAWING NO.
0879-2C8R-54
FILE NAME
0879-2C8R-54_C.DWG

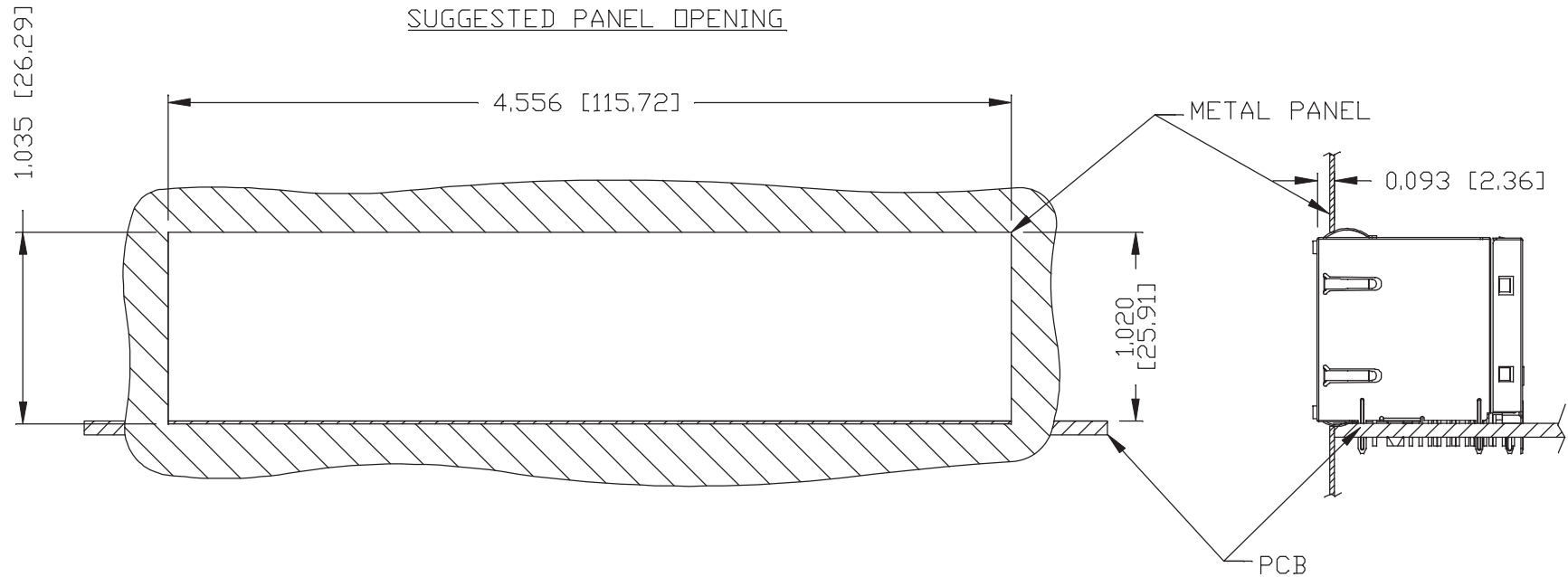
STANDARD DIM. TOL. IN INCH		[] METRIC DIM. AS REF.
.X		UNIT : INCH [mm]
.XX		SCALE : N/A
.XXX	±0.004	SIZE : A4



bel MAGNETIC SOLUTIONS
a bel group

THE INFORMATION CONTAINED HEREIN IS CONSIDERED "PROPRIETARY" TO BEL FUSE INC. AND SHALL NOT BE COPIED, REPRODUCED OR DISCLOSED WITHOUT THE WRITTEN APPROVAL OF BEL FUSE INC.

RoHS



NOTE:

THE DISTANCE OF PANEL INSIDE SURFACE RELATIVE TO FRONT SURFACE OF PART IS ONLY A SUGGESTION. IN CASE THIS DISTANCE IS DIFFERENT, THE REQUIRED PANEL OPENING DIMENSIONS CHANGE ACCORDINGLY.

PACKING INFORMATION

PACKING TRAY : 0200M9999-E2 (TOP)
0200M9999-E3 (BOTTOM)

PACKING QUANTITY : 10 PCS FINISHED GOODS PER TRAY
7 TRAYS (70 PCS FINISHED GOODS) PER CARTON BOX

NOTE : CARDBOARDS ARE PLACED BETWEEN LAYERS OF PACKING TRAY INSIDE CARTON BOX (INCLUDE THE UPPERMOST AND LOWERMOST TRAY)

REV. : C	PAGE : 7
----------	----------

ORIGINATED BY LI QUANKUN	TITLE 2X8 gigabit MagJack® WITH UPPER AND LOWER LED (8 Cores) PATENTED
DATE 2015-06-30	
DRAWN BY ZHANG XUEZHENG	
DATE 2015-06-30	

PART NO. / DRAWING NO. 0879-2C8R-54	STANDARD DIM. TOL. IN INCH	[] METRIC DIM. AS REF.
FILE NAME 0879-2C8R-54_C.DWG	.X	UNIT : INCH [mm]
	.XX	SCALE : N/A
	.XXX	±0.004

UNIT : INCH [mm]	SIZE : A4
SCALE : N/A	

UNIT : INCH [mm]	SIZE : A4
SCALE : N/A	

