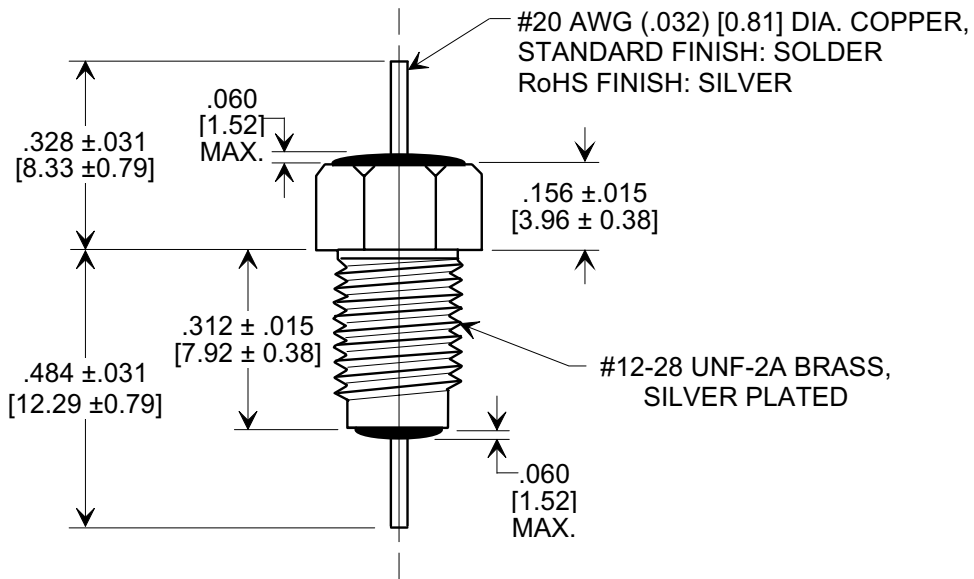
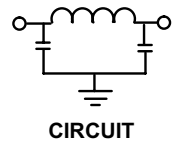
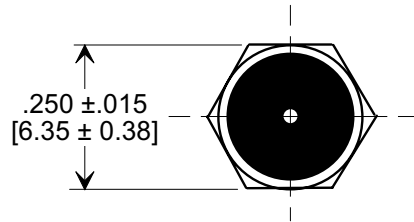
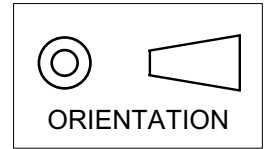


MARKETING SALES DRAWING
DIMENSIONS IN INCHES - DO NOT SCALE THIS DRAWING
DIMENSIONS IN METRIC - []

Electrical Testing
per Tusonix standard
test plans and Mil-Std-202
Test Methods.



NOTES:

- SUPPLIED WITH SILVER PLATED HEX NUT AND LOCK WASHER.
- TUSONIX STANDARD PART NUMBER: 4202-053.
TUSONIX RoHS COMPLIANT PART NUMBER: 4202-053 LF.
CUSTOMER MUST SPECIFY STANDARD OR RoHS PART NUMBER WHEN ORDERING.
- PART MARKING: TRADEMARK AND VARIATION NUMBER ON HEX FLATS.
STANDARD PART: BLACK INK. RoHS PART: GREEN INK.

MIN. CAP. (pF)	WORKING VOLTAGE (VVdc)		CURRENT (Idc)	I.R. MIN. @ 100 VDC	DWV (VDC)	MINIMUM NO LOAD INSERTION LOSS (dB) AT 25°C PER MIL-STD -220			
	85°C	125 °C				10 MHz	100 MHz	1 GHz	10 GHz
5000	200	100	10 A	10 G	400	20	65	70	70

REVISION RECORD Original Release C.O. 20020320-1-01 ADDED NOTES 2 & 3. ADDED FINISH TO LEAD & BUSHING. S.M. 05-19-05 20050503-6-27 1	--TOLERANCES-- Unless Otherwise Specified		Title BUSHING STYLE EMI FILTER	
	DECIMAL ±		Drawn S.M. 03-20-02 Scale 3 X	
	ANGLES ±		Approved T.C. 03-20-02	
	TUSONIX TUCSON, ARIZONA		A	4202-053

X-2015 Rev-0