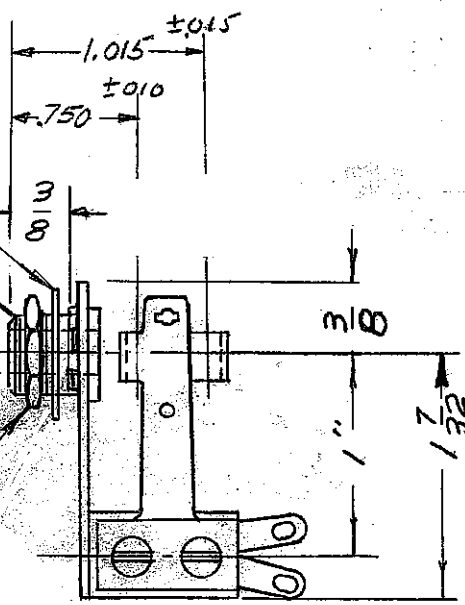
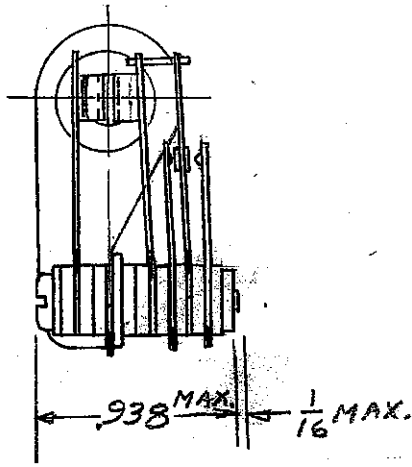
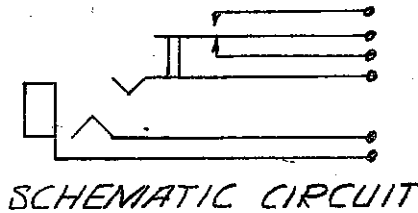


5/8 O.D. WASHER
STEEL, NICKEL PLATED

3/8 -32 THREAD

1/4 DIA

1/2 HEX LOCKNUT
BRASS, NICKEL PLATED.



NOTES:

1. MATERIALS:

- FRAME - STEEL, NICKEL PLATED
- BUSHING - BRASS, NICKEL PLATED
- SPRING - NICKEL SILVER, SPRING TEMPER
- CONTACTS - FINE SILVER
- SPACERS - PHENOLIC
- TERMINALS - HOT SOLDER DIPPED LEAD FREE
- TWIN NUT & SCREWS - STEEL, NICKEL PLATED

2. ALL DIMENSIONS SHOWN ARE FOR REFERENCE ONLY.

3. THIS PRODUCT IS ROHS COMPLIANT.

CUSTOMER DRAWING

THIS DRAWING DESCRIBES A DESIGN CONSIDERED PROPRIETARY IN NATURE, DEVELOPED AND MANUFACTURED BY SWITCHCRAFT, INC., AND IS RELEASED ON A CONFIDENTIAL BASIS FOR IDENTIFICATION PURPOSE ONLY.

UNLESS OTHERWISE SPECIFIED:		DRAWN BY TO	DATE 5/31/13	FINISH
1. DECIMAL DIMENSIONS ± .005		CHECKED BY <i>TJC</i>	DATE 5/31/13	PER FINISH SPEC. NO.
2. FRACTIONAL DIMENSIONS ± 1/64		APPROVED BY <i>TJC</i>	DATE 5/31/13	MATERIAL
3. ANGLES ± 1/2°		SCALE FULL		PER MAT. SPEC. NO.
4. ALL DIA'S CONCENTRIC WITHIN .002 T.I.R.		FIRST USED ON		
5. ALL DIMENSIONS IN INCHES		NAME SF JAX, ROHS		PART NO. C55BX
6. FOR THREADS USE UNIFIED PLUG AND RING GAGES ONLY.				ISSUE A
7. REMOVE ALL BURRS.				SHEET 1 OF 1
8. PART TO BE FABRICATED AS SPECIFIED. MAKE NO DIMENSIONAL ALLOWANCES FOR APPLIED FINISHES, I.E., PLATING, PAINTING, ETC.				1. 2. 3. 1
9. HOLES OR BORE CENTERLINE MUST BE ALIGNED WITHIN ±.002				

DO NOT SCALE DRAWING

