

173851-1 ✓ ACTIVE

AMP | Multilock Connector System

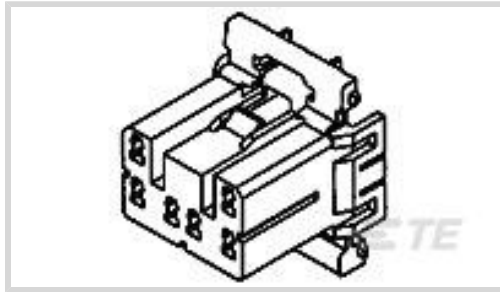
TE Internal #: 173851-1

Housing for Female Terminals, Wire-to-Wire, 12 Position, .138 in / .217 in [3.5 mm / 5.5 mm] Centerline, Natural, Signal, Multilock Connector System

[View on TE.com >](#)



Connectors > Automotive Connectors > Automotive Housings > MULTILOCK, CONNECTOR HOUSING



Connector & Housing Type: **Housing for Female Terminals**

Mating Tab Width: **1.8 mm [.071 in]**

Connector System: **Wire-to-Wire**

Number of Positions: **12**

Centerline (Pitch): **3.5 mm, 5.5 mm [.138 in, .217 in]**

[All MULTILOCK, CONNECTOR HOUSING \(567\)](#)

Features

Product Type Features

Connector Shape	Rectangular
Connector & Housing Type	Housing for Female Terminals
Connector System	Wire-to-Wire
Sealable	No
Hybrid Connector	No
Primary Locking Feature	Integrated in Housing

Configuration Features

Number of Positions	12
Number of Rows	2

Electrical Characteristics

Operating Voltage	12 VDC
Nominal Voltage Architecture	12 V

Body Features

Cable Exit Angle	180°
Primary Product Color	Natural

Contact Features

--	--



Contact Size	1.8mm
Contact Type	Receptacle
Mating Tab Width	1.8 mm[.071 in]

Mechanical Attachment

Terminal Position Assurance	Yes
Strain Relief	Without
Mating Alignment Type	Polarized
Mating Alignment	With
Connector Mounting Type	Cable Mount (Free-Hanging)

Housing Features

Housing Material	PBT
Centerline (Pitch)	3.5 mm, 5.5 mm[.138 in][.217 in]

Dimensions

Connector Height	26.05 mm[1.026 in]
Product Width	31.8 mm[1.252 in]
Product Length	21.6 mm[.85 in]
Row-to-Row Spacing	3 mm, 7.7 mm[.118 in][.303 in]

Usage Conditions

Operating Temperature (Max)	70 °C, 75 °C, 80 °C, 85 °C, 90 °C, 100 °C, 105 °C[158 °F][167 °F][176 °F][185 °F][194 °F][212 °F][221 °F]
Operating Temperature Range	-30 – 105 °C[-22 – 221 °F]

Operation/Application

Circuit Application	Signal
---------------------	--------

Industry Standards

UL Flammability Rating	UL 94HB
------------------------	---------

Packaging Features

Packaging Quantity	100
--------------------	-----

Other

Serviceable	Yes
Connector Position Assurance Capable	No

Product Compliance

[For compliance documentation, visit the product page on TE.com>](#)

EU RoHS Directive 2011/65/EU	Compliant
EU ELV Directive 2000/53/EC	Compliant
China RoHS 2 Directive MIIT Order No 32, 2016	No Restricted Materials Above Threshold
EU REACH Regulation (EC) No. 1907/2006	Current ECHA Candidate List: JUNE 2023 (235) Candidate List Declared Against: JAN 2023 (233) Does not contain REACH SVHC
Halogen Content	Low Halogen - Br, Cl, F, I < 900 ppm per homogenous material. Also BFR/CFR/PVC Free
Solder Process Capability	Not applicable for solder process capability

Product Compliance Disclaimer

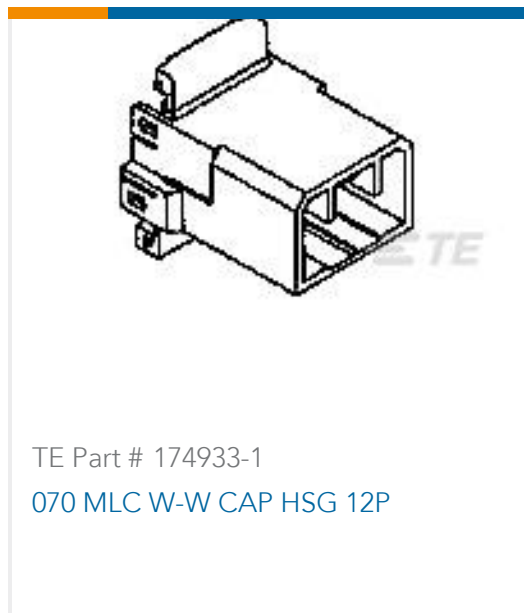
This information is provided based on reasonable inquiry of our suppliers and represents our current actual knowledge based on the information they provided. This information is subject to change. The part numbers that TE has identified as EU RoHS compliant have a maximum concentration of 0.1% by weight in homogenous materials for lead, hexavalent chromium, mercury, PBB, PBDE, DBP, BBP, DEHP, DIBP, and 0.01% for cadmium, or qualify for an exemption to these limits as defined in the Annexes of Directive 2011/65/EU (RoHS2). Finished electrical and electronic equipment products will be CE marked as required by Directive 2011/65/EU. Components may not be CE marked. Additionally, the part numbers that TE has identified as EU ELV compliant have a maximum concentration of 0.1% by weight in homogenous materials for lead, hexavalent chromium, and mercury, and 0.01% for cadmium, or qualify for an exemption to these limits as defined in the Annexes of Directive 2000/53/EC (ELV). Regarding the REACH Regulation, the information TE provides on SVHC in articles for this part number is based on the latest European Chemicals Agency (ECHA) 'Guidance on requirements for substances in articles' posted at this URL: <https://echa.europa.eu/guidance-documents/guidance-on-reach>

Compatible Parts

 <p>TE Part # CAT-M9194-T273 MULTILOCK, RECEPTACLE AND TAB</p>	 <p>TE Part # CAT-LMPH9507 Low & Medium Power Header</p>	 <p>TE Part # CAT-M9194-CH8172 MULTILOCK, CONNECTOR HOUSING</p>	 <p>TE Part # 179098-1 MULTI LOCK I/O CAP ASSY 30P</p>
---	--	--	---



TE Part # 755430-2
EXT, TOOL ASSY



TE Part # 174933-1
070 MLC W-W CAP HSG 12P



TE Part # 345208-1
070 SERIES RECEPT.



TE Part # 1-174939-1
070 MLC CAP HSG 30P W/FLANGE



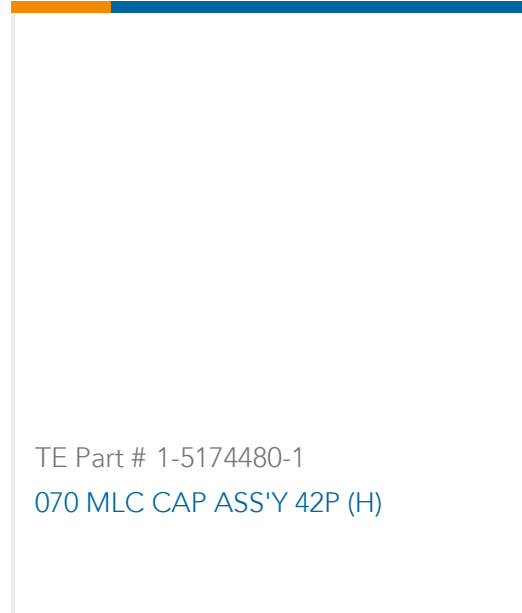
TE Part # 174480-1
070 MULTI CAP ASSY 42P H



TE Part # 175026-1
070 REC CONTACT L.P 24-22



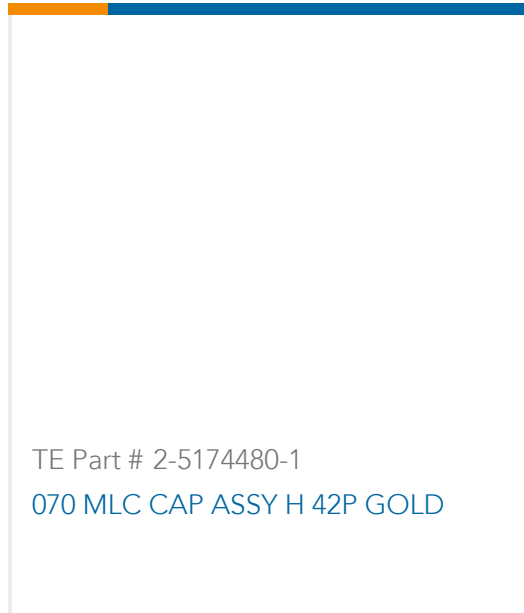
TE Part # 282770-1
MLC .070 VERT.HDR ASSY 8POS.



TE Part # 1-5174480-1
070 MLC CAP ASS'Y 42P (H)



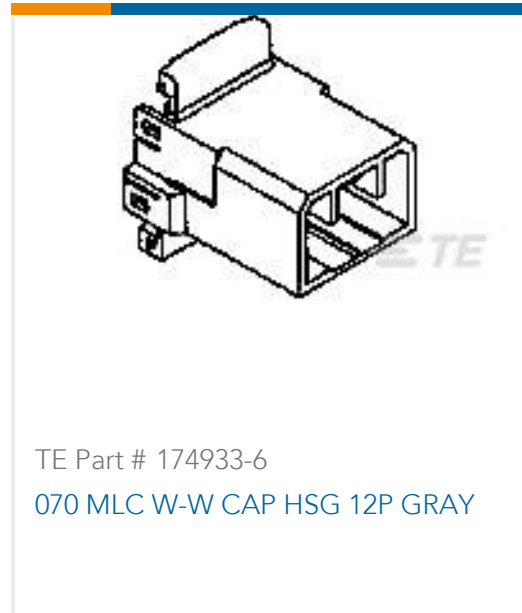
TE Part # 173858-7
12POS, ML .070, TAB HSG ASSY, UNSLD



TE Part # 2-5174480-1
070 MLC CAP ASSY H 42P GOLD

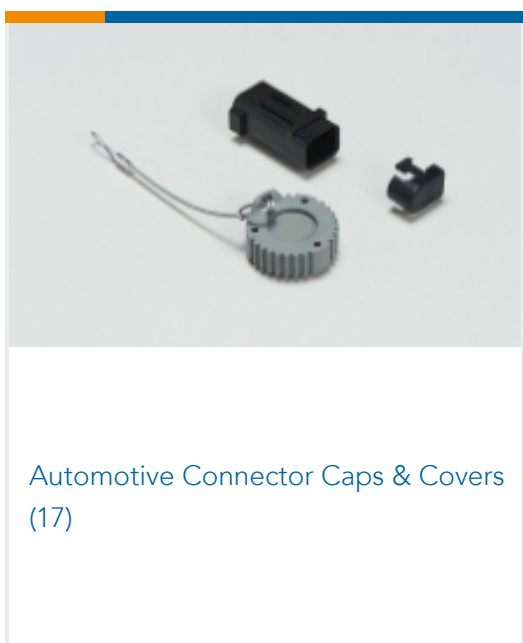


TE Part # 1-174480-1
070 MLC CAP ASS'Y 42P (H)



TE Part # 174933-6
070 MLC W-W CAP HSG 12P GRAY

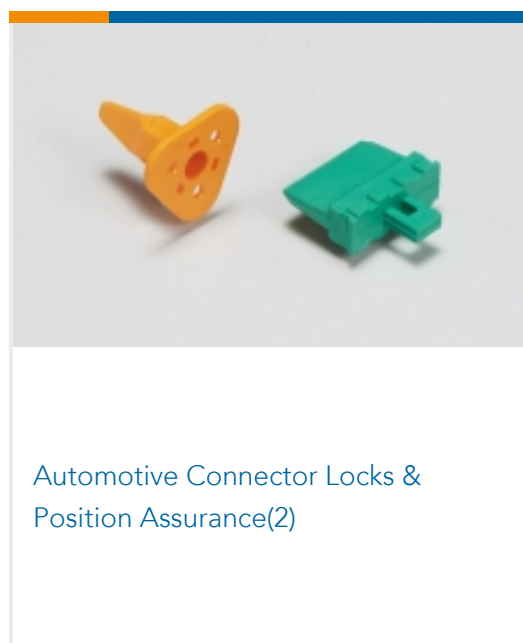
Also in the Series | Multilock Connector System



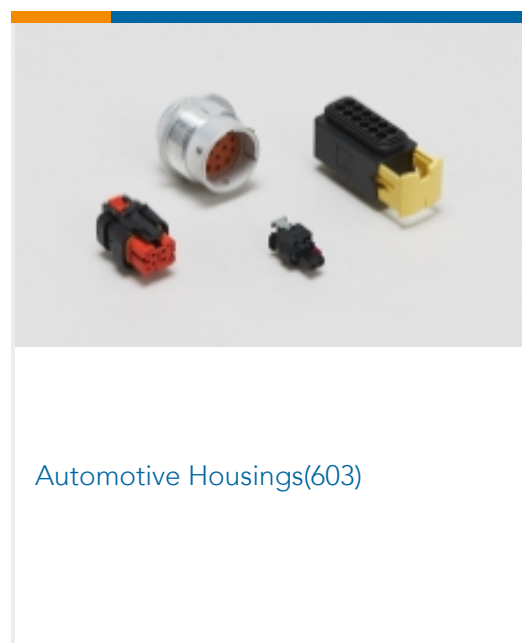
Automotive Connector Caps & Covers
(17)



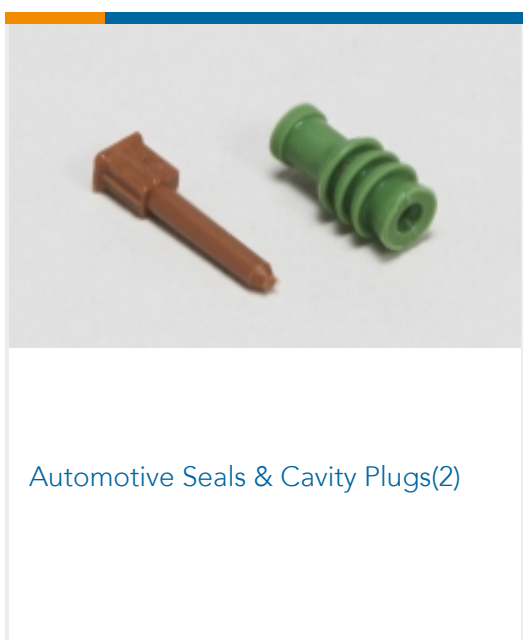
Automotive Connector EMC Shielding
(1)



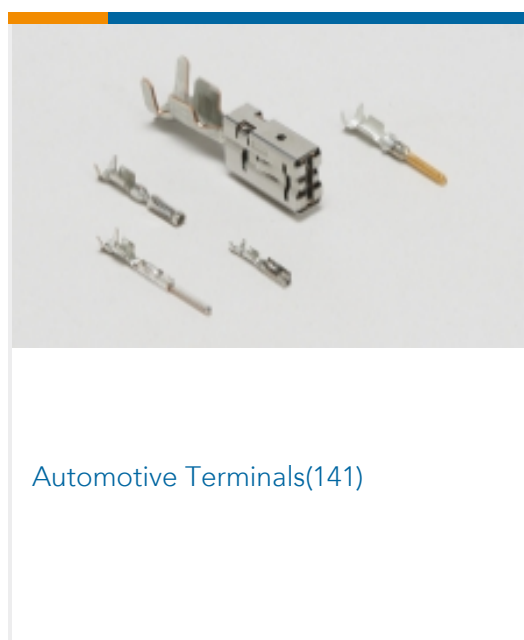
Automotive Connector Locks &
Position Assurance(2)



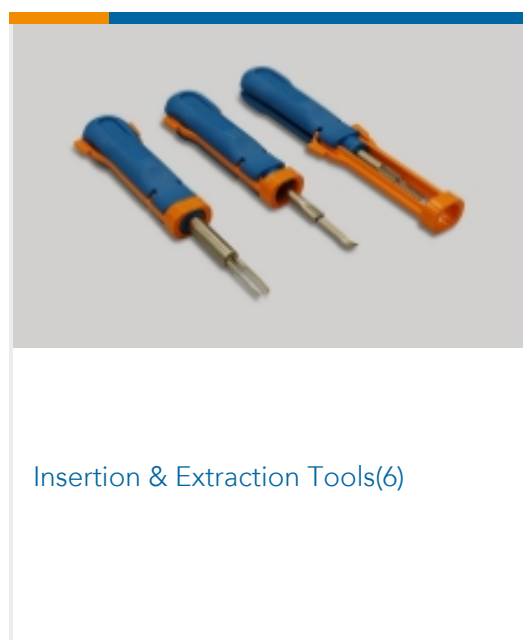
Automotive Housings(603)



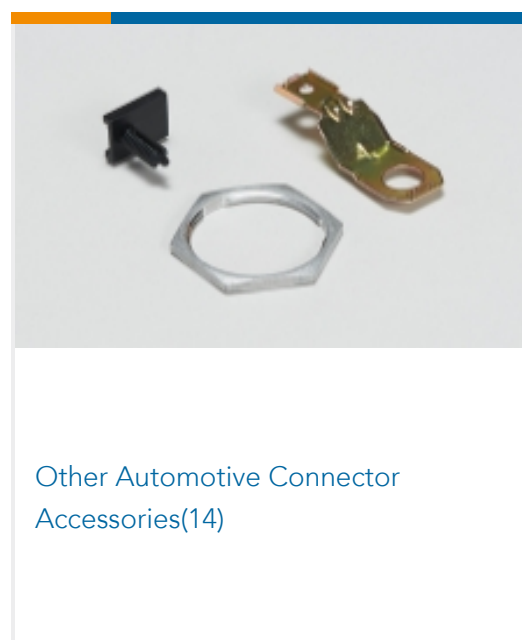
Automotive Seals & Cavity Plugs(2)



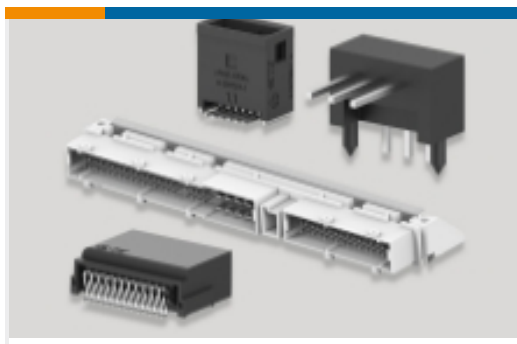
Automotive Terminals(141)



Insertion & Extraction Tools(6)

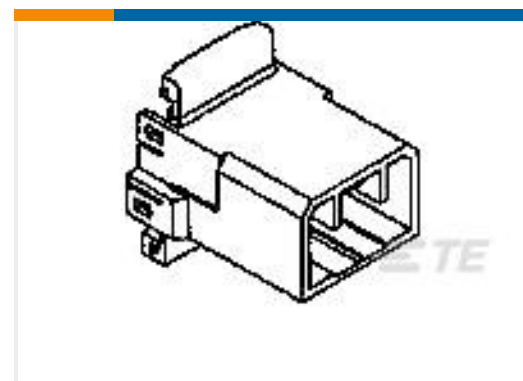


Other Automotive Connector
Accessories(14)



PCB Headers & Receptacles(142)

Customers Also Bought

TE Part #174952-1
MULTILOCK, CONNECTOR HOUSINGTE Part #2329386-2
PN OFF/ON FC RED M1 TERM IP68
500MM LHSTE Part #175027-1
070 REC CONTACT L.P 20-16TE Part #1452015-2
2X6UNS.FEM ASSY"B"TE Part #2301695-1
16POS, MQS, REC HSG, UNSLDTE Part #174933-1
070 MLC W-W CAP HSG 12PTE Part #1924396-1
14P MCON 1.2 SCCM Inner HousingTE Part #638394-5
ASSY, 12P PLUG "A" KEY, W/CPA

Documents

Product Drawings

070 MULTILOCK PLUG 12P

English

CAD Files

Customer View Model

[ENG_CVM_173851-1_E.3d_igs.zip](#)

English

Customer View Model

[ENG_CVM_173851-1_E.3d_stp.zip](#)

English

Customer View Model

[ENG_CVM_173851-1_E.2d_dxf.zip](#)

English

3D PDF

English

By downloading the CAD file I accept and agree to the [Terms and Conditions](#) of use.



Datasheets & Catalog Pages

MULTILOCK Connector System

English

Product Specifications

070 MLC Series

English

Product Specification

Japanese

Product Specification

Japanese

Product Environmental Compliance

Product Compliance

English

Product Compliance

English

Agency Approvals

CSA Certificate

English