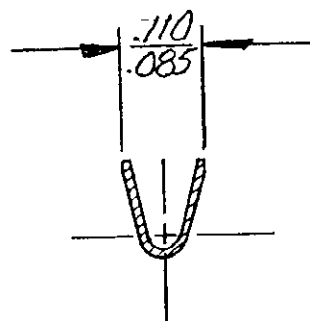
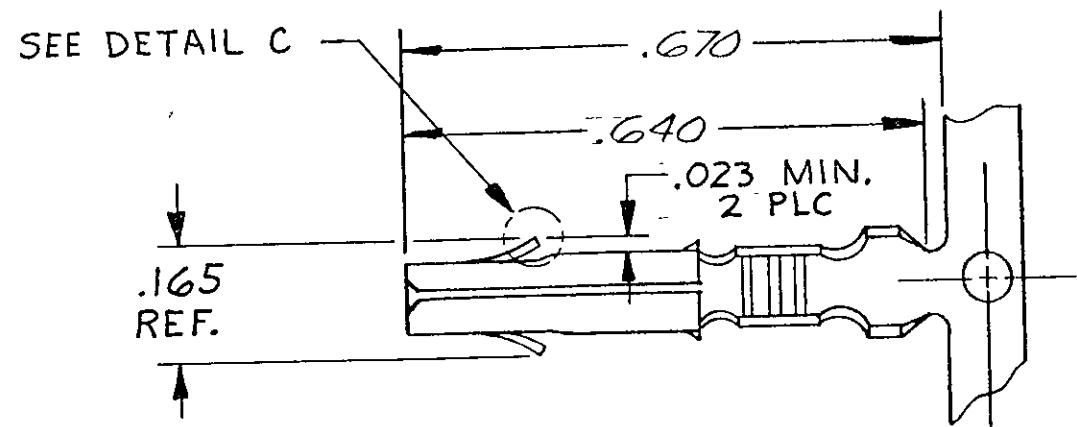


DRAWING MADE IN THIRD ANGLE PROJECTION

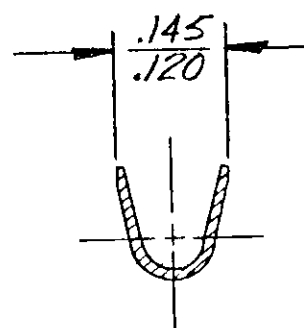
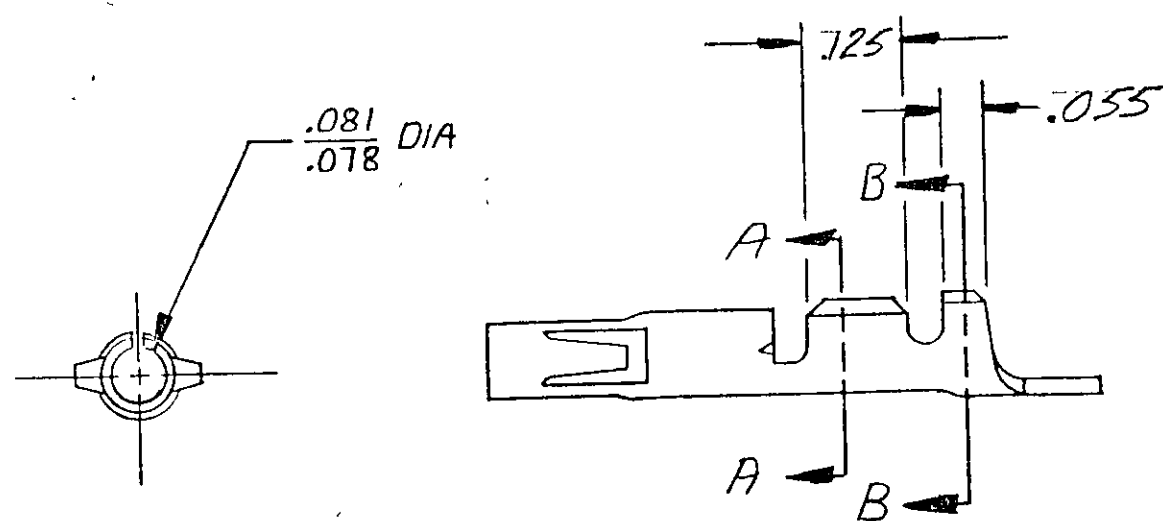
© COPYRIGHT 1973 BY AMP INCORPORATED, HARRISBURG, PA.
 ALL INTERNATIONAL RIGHTS RESERVED. AMP INCORPORATED PRODUCTS
 COVERED BY U. S. AND FOREIGN PATENTS AND/OR PATENTS PENDING.

1 LOC CM DIST 53

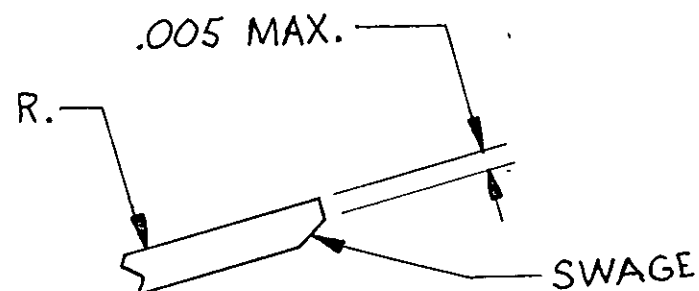
		REVISIONS				
P	F	ZONE	LTR	DESCRIPTION	DATE	APPROVED
✓	✓		E	REDWN W/O CHANGE M-5090	5-3-78	JW/DH.
✓			E	RESTORED	4/3/85	BKD/RS
✓			F	OBSOLETE -7 CM-473	4-15-86	JW/RS
✓			G	OBSOLETE -2 PER ECN CM-761	4/28/87	PKC TB
			H	REV PER EC 0730-3607-91	1-6-94	RV RS



SECTION A-A



SECTION B-B



DETAIL C

.100 MAX	24-18 AWG			
		BRASS	PRE-TIN	350560-1
INSULATION RANGE	WIRE RANGE	MATL	FINISH	PART NO

UNLESS OTHERWISE SPECIFIED DIMENSIONS ARE IN INCHES.
 TOLERANCES ON:
 DECIMALS ± .015
 ANGLES ± 1°

MATERIAL
SEE TABLE

FINISH
SEE TABLE

CONTRACT NO

DR *J. Williams 5-3-78*

CHK *D.S. Heide 11/16/78*

APPD *A.F. TRAVIS 11/12*

DSGN APPD

OTHER APPD

AMP AMP INCORPORATED
 Harrisburg, Pa

NAME
**SOCKET, MATE-N-LOK,™
 DUAL LANCE**

SIZE **B** CODE IDENT NO **00779** DRAWING NO **350560**

SCALE *7* SHEET 1 OF 1