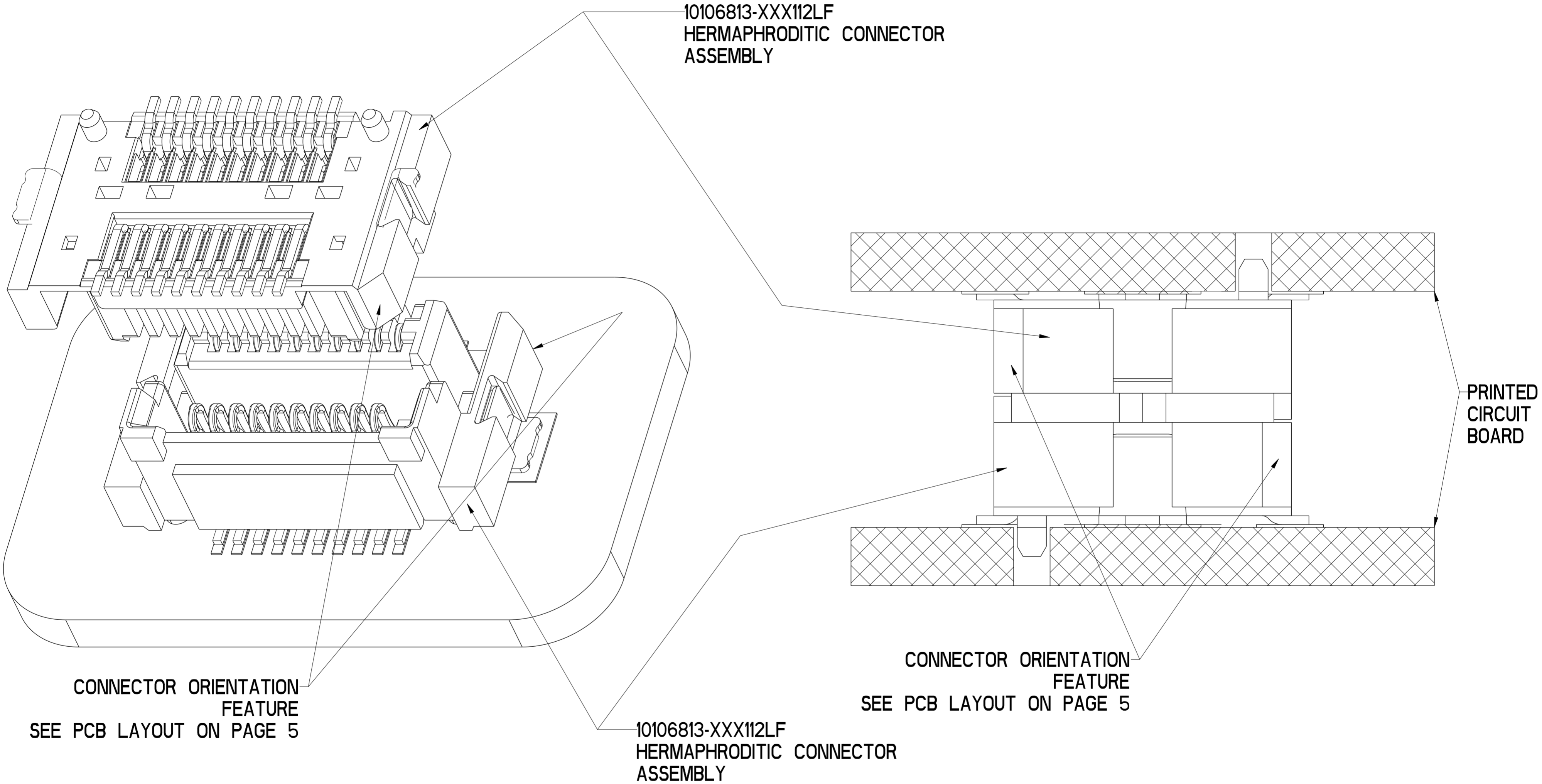


PRODUCT NUMBER
10106813-XXX112LF



10106813-XXX112LF
HERMAPHRODITIC CONNECTOR
ASSEMBLY

PRINTED
CIRCUIT
BOARD

CONNECTOR ORIENTATION
FEATURE
SEE PCB LAYOUT ON PAGE 5

CONNECTOR ORIENTATION
FEATURE
SEE PCB LAYOUT ON PAGE 5

10106813-XXX112LF
HERMAPHRODITIC CONNECTOR
ASSEMBLY

Amphenol
FCi

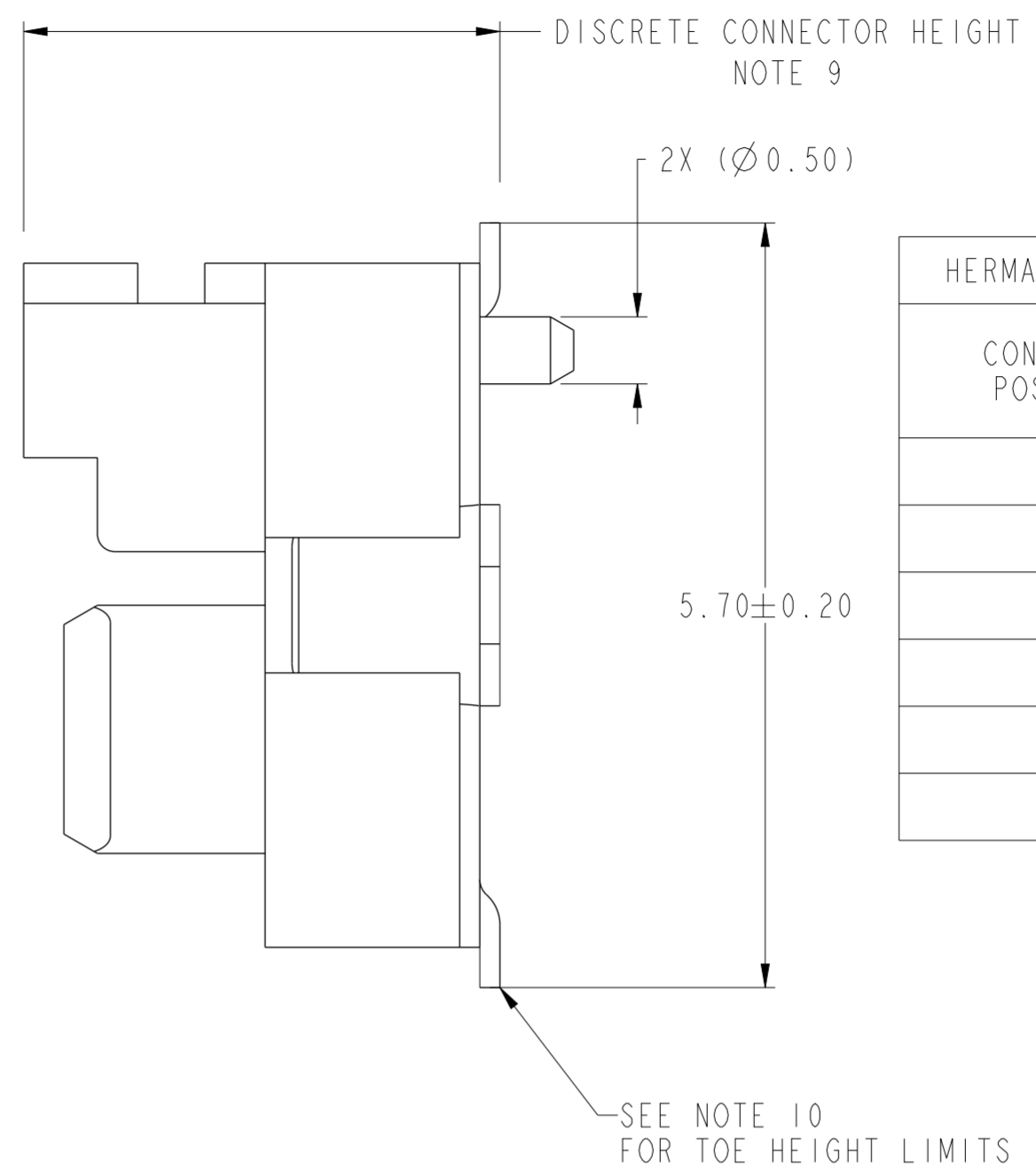
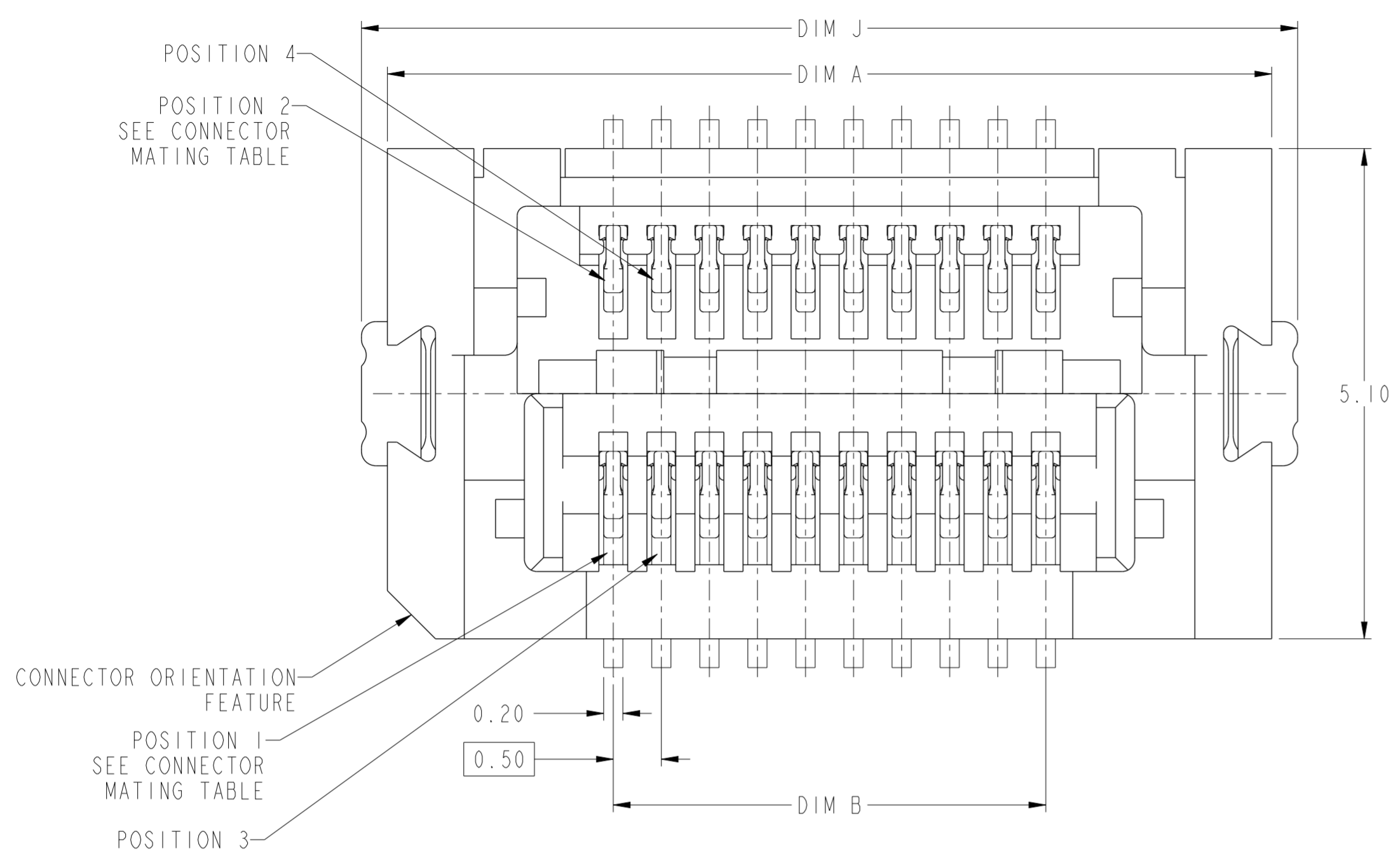
© 2020 Amphenol Corporation

spec ref	---	dr	Stu Stoner	2010/11/18	projection	mm	size	A2	scale	10:1									
tolerance std	---	eng	Yuan-Yuan Bao	2022/04/01			ecn no	ELX-N-44329-1	rel level	Released									
---	TOLERANCES UNLESS OTHERWISE SPECIFIED	chr	-	product family			MezzoStak												
---		appr	Tim Yao	2022/04/08			rel level	Released											
surface	<table border="1"> <tr> <td>linear</td> <td>0.X</td> <td>±0.3</td> </tr> <tr> <td></td> <td>0.XX</td> <td>±0.10</td> </tr> <tr> <td></td> <td>0.XXX</td> <td>±0.05</td> </tr> <tr> <td>angular</td> <td>0°</td> <td>±2°</td> </tr> </table>	linear	0.X	±0.3		0.XX	±0.10		0.XXX	±0.05	angular	0°	±2°		Amphenol FCI HERMAPHRODITIC CONNECTOR, LONG STYLE 20-70 POS, 0.50 CTR, 4-7MM STACK HT www.fci.com		title HERMAPHRODITIC CONNECTOR, LONG STYLE 20-70 POS, 0.50 CTR, 4-7MM STACK HT cat. no.	dwg no 10106813	rev H
linear	0.X	±0.3																	
	0.XX	±0.10																	
	0.XXX	±0.05																	
angular	0°	±2°																	
Product - Customer Drw						sheet 1 of 7													

PDS: Rev :H

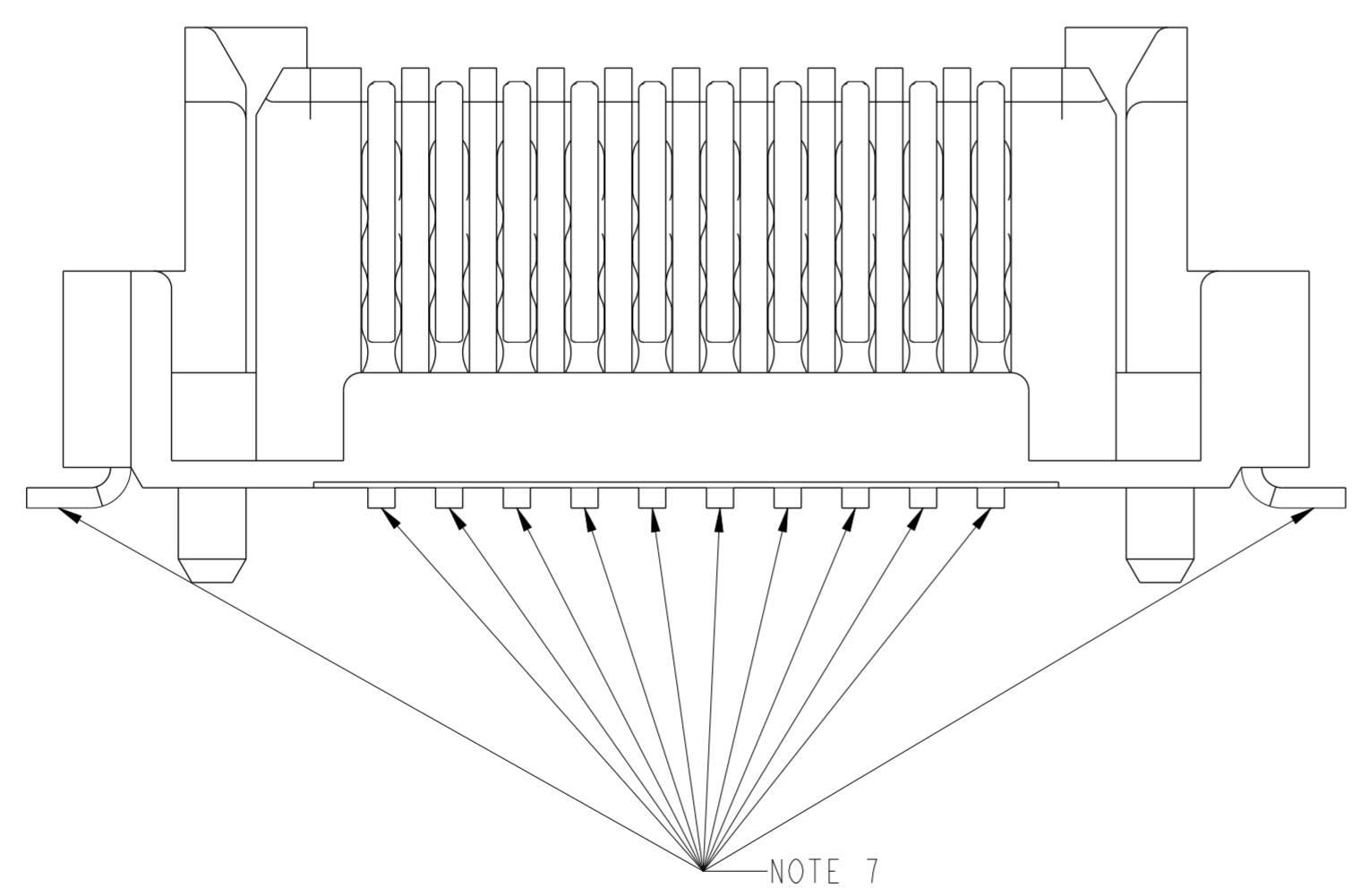
STATUS:Released

Printed: May 24, 2022



HERMAPHRODITIC CONNECTOR MATING	
CONNECTOR POSITION	MATES WITH CONNECTOR POSITION
1	2
3	4
5	6
7	8
9	10
ETC.	

10106813-021112LF SHOWN WITHOUT STANDARD PICK-UP CAP



spec ref	---	dr	Stu Stoner	2010/11/18	projection	mm	size	A2	scale	10:1							
tolerance std	---	eng	Yuan-Yuan Bao	2022/04/01			ecn no	ELX-N-44329-1	rel level	Released							
---	TOLERANCES UNLESS OTHERWISE SPECIFIED	chr	-	app							Tim Yao	2022/04/08	product family	MezzoStak			
---		www.fci.com	cat. no.	-							Product - Customer Drw	sheet 2 of 7					
surface	<table border="1"> <tr> <td>linear</td> <td>0.X</td> <td>±0.3</td> </tr> <tr> <td></td> <td>0.XX</td> <td>±0.10</td> </tr> <tr> <td></td> <td>0.XXX</td> <td>±0.05</td> </tr> <tr> <td>angular</td> <td>0°</td> <td>±2°</td> </tr> </table>	linear	0.X	±0.3		0.XX	±0.10		0.XXX	±0.05	angular	0°	±2°		title HERMAPHRODITIC CONNECTOR, LONG STYLE 20-70 POS, 0.50 CTR, 4-7MM STACK HT	dwg no 10106813	rev H
linear	0.X	±0.3															
	0.XX	±0.10															
	0.XXX	±0.05															
angular	0°	±2°															

PRODUCT NUMBER	NUMBER OF POSITIONS	DIM A	DIM B	DIM J	CONNECTOR LOCATING PEGS	CONNECTOR HOLD DOWNS	DISCRETE CONNECTOR HEIGHT NOTE 9	PRACTICAL CONNECTOR HEIGHT NOTE 8	DIM.E OVERALL HEIGHT (CAP IS INCULDED)	STATUS
10106813-021112LF	20	9.20	4.50	9.74	YES	YES	3.55	2.00	4.05	RELEASED
10106813-031112LF	30	11.70	7.00	12.24						
10106813-131112LF	30	11.70	7.00	12.24						
10106813-041112LF	40	14.20	9.50	14.74						
10106813-051112LF	50	16.70	12.00	17.24						
10106813-061112LF	60	19.20	14.50	19.74						
10106813-071112LF	70	21.70	17.00	22.24						
10106813-171112LF	70	21.70	17.00	22.24						
10106813-022112LF	20	9.20	4.50	9.74						
10106813-032112LF	30	11.70	7.00	12.24						
10106813-042112LF	40	14.20	9.50	14.74						
10106813-052112LF	50	16.70	12.00	17.24						
10106813-062112LF	60	19.20	14.50	19.74						
10106813-072112LF	70	21.70	17.00	22.24						
10106813-023112LF	20	9.20	4.50	9.74						
10106813-033112LF	30	11.70	7.00	12.24						
10106813-043112LF	40	14.20	9.50	14.74						
10106813-053112LF	50	16.70	12.00	17.24						
10106813-063112LF	60	19.20	14.50	19.74						
10106813-073112LF	70	21.70	17.00	22.24						
10106813-173112LF	70	21.70	17.00	22.24						
10106813-024112LF	20	9.20	4.50	9.74						
10106813-034112LF	30	11.70	7.00	12.24						
10106813-044112LF	40	14.20	9.50	14.74						
10106813-054112LF	50	16.70	12.00	17.24						
10106813-064112LF	60	19.20	14.50	19.74						
10106813-074112LF	70	21.70	17.00	22.24						
10106813-174112LF	70	21.70	17.00	22.24						

0.5 BTB HERMAPHRODITIC CONNECTOR ASSEMBLY PART NUMBER SCHEME EXAMPLE: 10106813-X X X X X X X LF

RIB OPTION
0 = W/O RIB ON WELL SIDE WALL
1 = WITH RIBS ON WELL SIDE WALL
SEE BELOW PICTURES SHOWN

NUMBER OF POSITIONS	
2	= 20 POS
3	= 30 POS
4	= 40 POS
5	= 50 POS
6	= 60 POS
7	= 70 POS

LEAD FREE INDICATOR

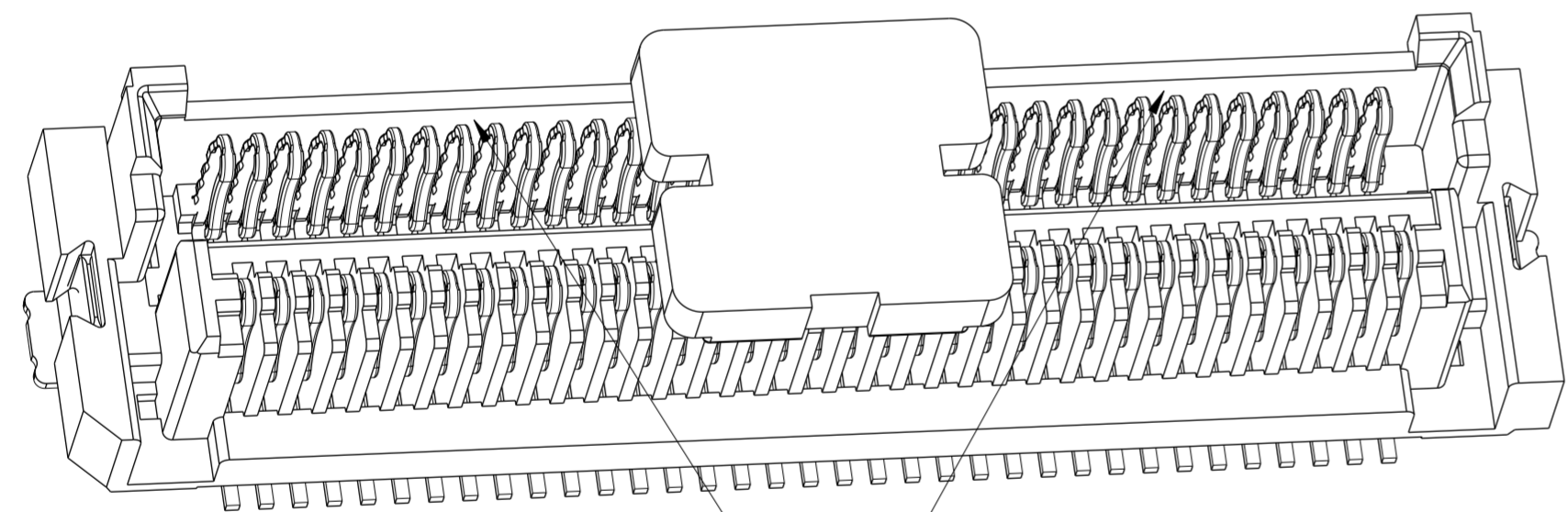
PLATING ON THE CONTACT AREA
BLANK: 15u" GXT
1: 30u" GXT

PACKAGING
2 TAPE AND REEL WITH PICK-UP CAP
3 TAPE AND REEL W/O PICK-UP CAP

HOLD DOWN OPTION
0= NO HOLD DOWNS
1 = HOLD DOWNS

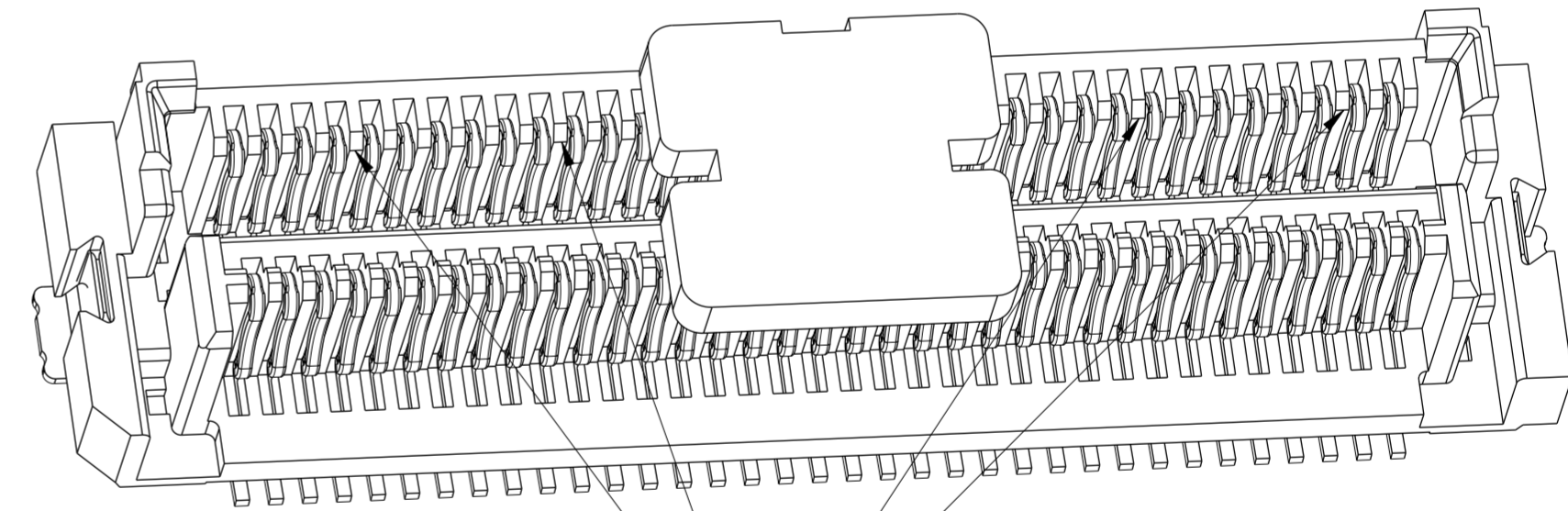
PEG OPTION
0= NO PEGS
1 = PEGS

PRACTICAL CONNECTOR HEIGHT NOTE 8
1 = 2.0MM
2 = 2.5MM
3 = 3.0MM
4 = 3.5MM



SCALE 10:1

10106813-071112LF SHOWN WITHOUT RIB ON HOUSING WELL SIDE WALL



SCALE 10:1

10106813-171112LF SHOWN WITH RIBS ON HOUSING WELL SIDE WALL

spec ref	---	dr	Stu Stoner	2010/11/18	projection	mm	size	A2	scale	10:1												
tolerance std	---	eng	Yuan-Yuan Bao	2022/04/01		mm	ecn no	ELX-N-44329-1	rel level	Released												
---	TOLERANCES UNLESS OTHERWISE SPECIFIED	chr	-	appr							Tim Yao	2022/04/08	product family	MezzoStak								
surface	<table border="1"> <tr><td>linear</td><td>0.X</td><td>±0.3</td></tr> <tr><td></td><td>0.XX</td><td>±0.10</td></tr> <tr><td></td><td>0.XXX</td><td>±0.05</td></tr> <tr><td>angular</td><td>0°</td><td>±2°</td></tr> </table>	linear	0.X	±0.3		0.XX	±0.10		0.XXX	±0.05	angular	0°	±2°	Amphenol FCI www.fci.com		title HERMAPHRODITIC CONNECTOR, LONG STYLE 20-70 POS, 0.50 CTR, 4-7MM STACK HT		part no 10106813	rev H	Product - Customer Drw sheet 3 of 7		
linear	0.X	±0.3																				
	0.XX	±0.10																				
	0.XXX	±0.05																				
angular	0°	±2°																				

1 2 3 4 5 6 7 8

A

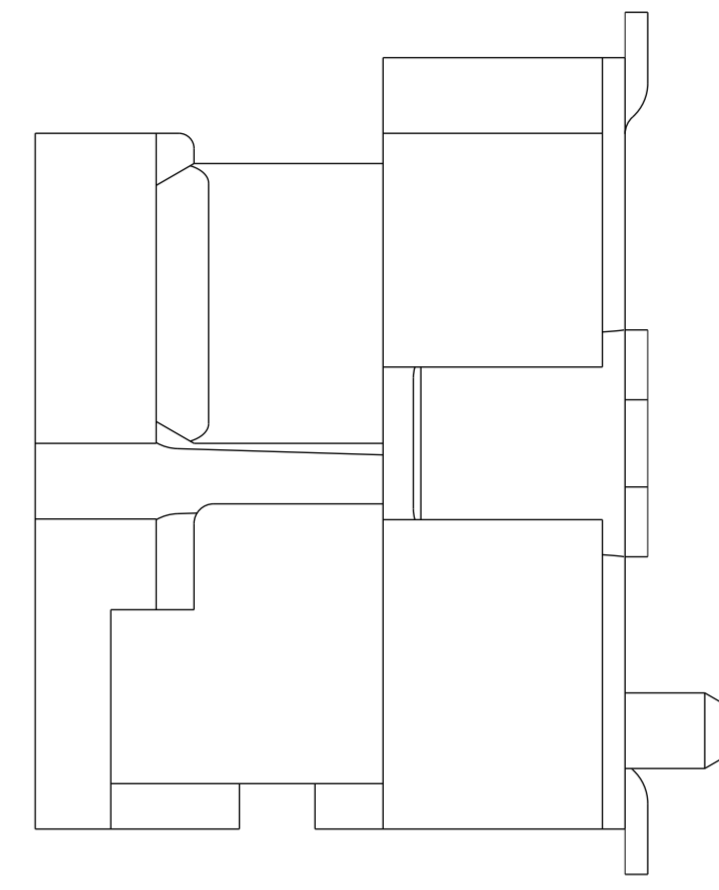
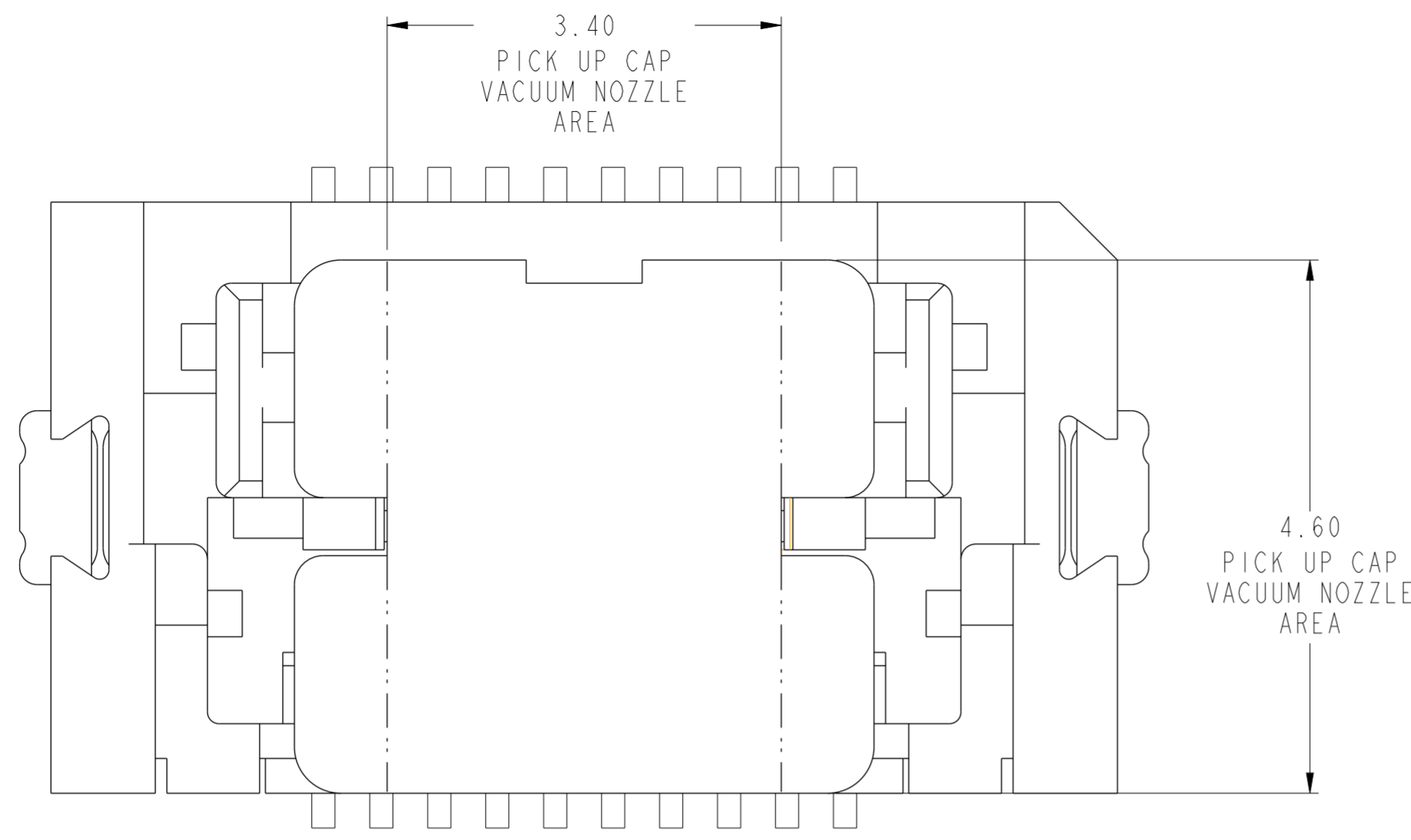
B

C

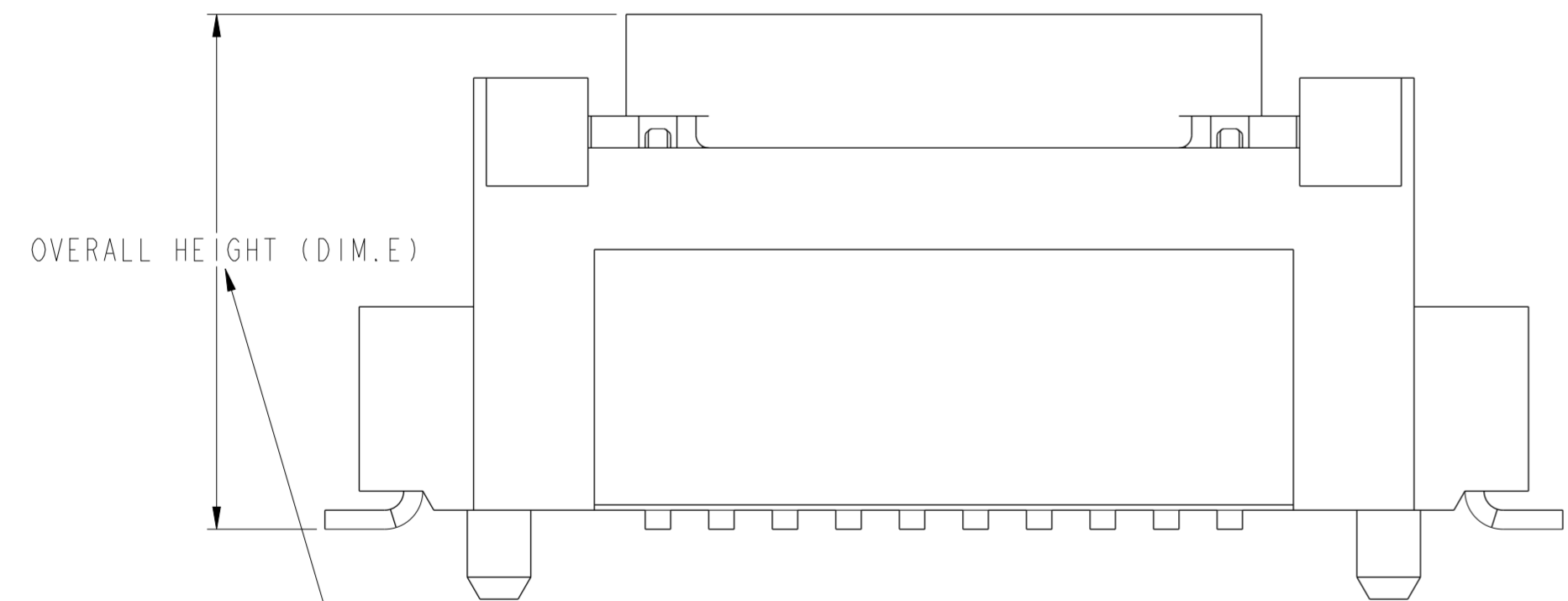
D

E

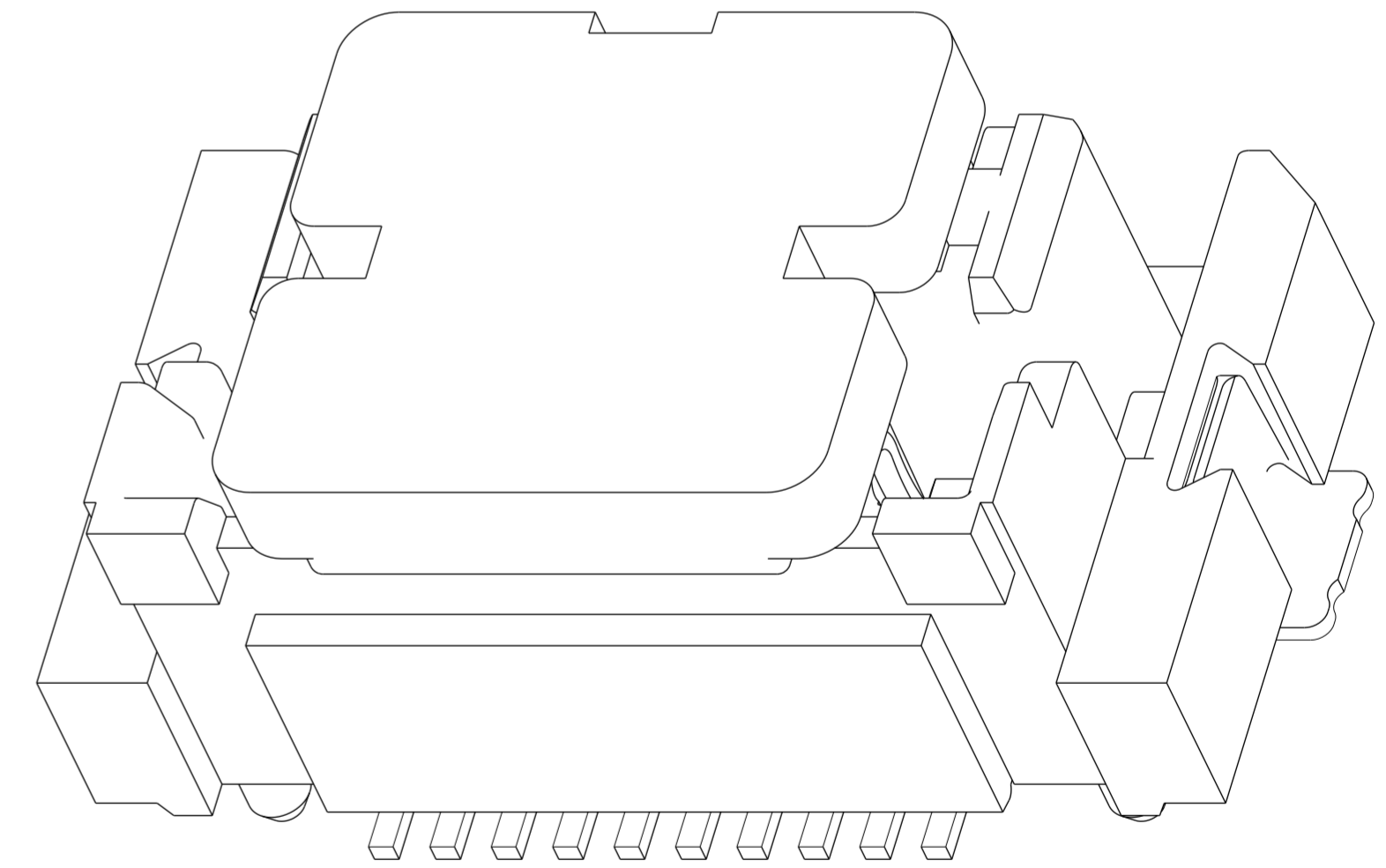
F



10106813-021112LF SHOWN
WITH STANDARD PICK-UP CAP



PLEASE REFER PAGE 3 TO GET THE DETAILED DIMENSION VALUE OF DIM.E



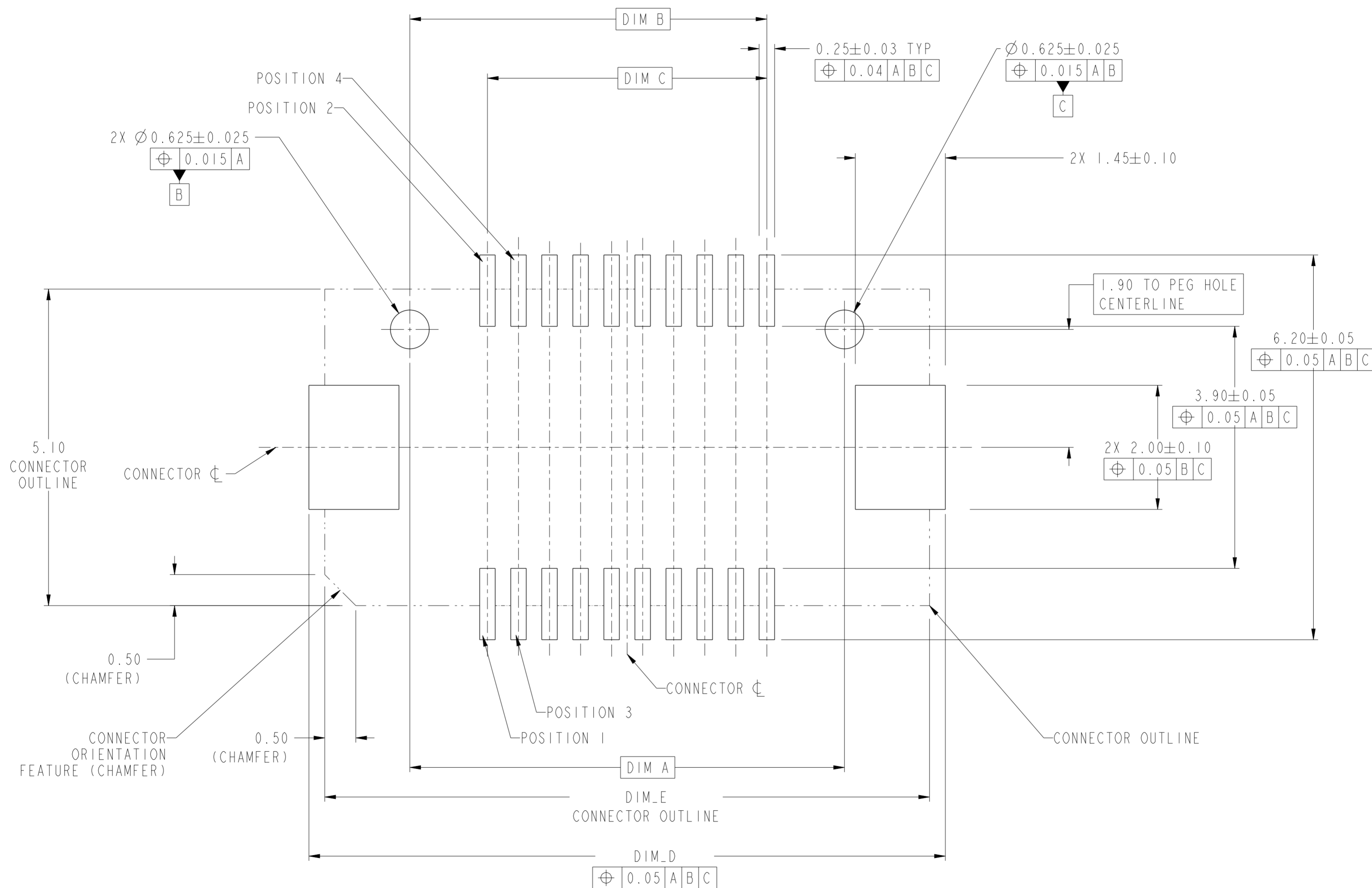
Amphenol
FCi

© 2020 Amphenol Corporation

spec ref	---	dr	Stu Stoner	2010/11/18	projection	mm	size	A2	scale	10:1								
tolerance std	---	eng	Yuan-Yuan Bao	2022/04/01			ecn no	ELX-N-44329-1										
---	TOLERANCES UNLESS OTHERWISE SPECIFIED	chr	-	appr			Tim Yao	2022/04/08	product family	MezzoStak								
---	---	---	---	---	rel level	Released			rev	H								
surface	<table border="1"> <tr> <td>linear</td> <td>0.X</td> <td>±0.3</td> </tr> <tr> <td></td> <td>0.XX</td> <td>±0.10</td> </tr> <tr> <td></td> <td>0.XXX</td> <td>±0.05</td> </tr> <tr> <td>angular</td> <td>0°</td> <td>±2°</td> </tr> </table>	linear	0.X	±0.3		0.XX	±0.10		0.XXX	±0.05	angular	0°	±2°		Amphenol FCI HERMAPHRODITIC CONNECTOR, LONG STYLE 20-70 POS, 0.50 CTR, 4-7MM STACK HT	cat. no.	Product - Customer Drw	sheet 4 of 7
linear	0.X	±0.3																
	0.XX	±0.10																
	0.XXX	±0.05																
angular	0°	±2°																

1 2 3 4 5 6 7 8

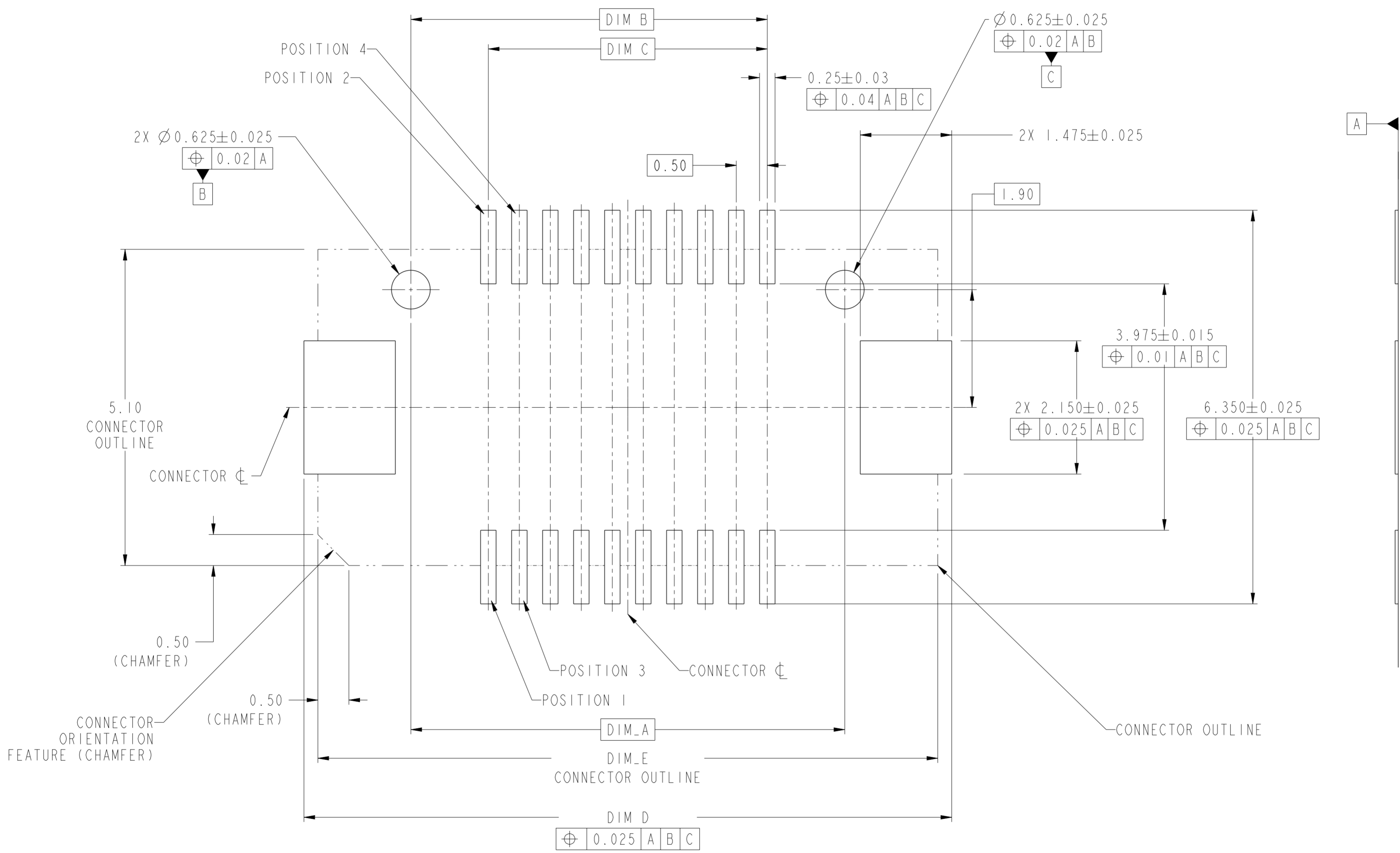
PRODUCT NUMBER	NUMBER OF POSITIONS	DIM A	DIM B	DIM C	DIM D±0.10	DIM E
10106813-02X112LF	20	7.00	5.75	4.50	10.25	9.74
10106813-03X112LF	30	9.50	8.25	7.00	12.75	12.24
10106813-04X112LF	40	12.00	10.75	9.50	15.25	14.74
10106813-05X112LF	50	14.50	13.25	12.00	17.75	17.24
10106813-06X112LF	60	17.00	15.75	14.50	20.25	19.74
10106813-X7X112LF	70	19.50	18.25	17.00	22.75	22.24



OPTION 1 - SPACE OPTIMIZED FOOTPRINT
 SEE TABLE FOR PCB LAYOUT DIMENSIONS
 SEE NOTE 11 FOR STENCIL CREATION GUIDELINES

spec ref	---	dr	Stu Stoner	2010/11/18	projection	mm	size	A2	scale	10:1
tolerance std	---	eng	Yuan-Yuan Bao	2022/04/01	chr	-	ecn no	ELX-N-44329-1		
	TOLERANCES UNLESS OTHERWISE SPECIFIED	appr	Tim Yao	2022/04/08	product family	MezzoStak	rel level	Released		
surface	✓	linear	0.X	±0.3	Amphenol FCI	HERMAPHRODITIC CONNECTOR, LONG STYLE	divg no	10106813	rev	H
			0.XX	±0.10	www.fci.com	20-70 POS, 0.50 CTR, 4-7MM STACK HT	cat. no.	-	Product - Customer Drw	sheet 5 of 7
			0.XXX	±0.05						
			angular	0°						

PRODUCT NUMBER	NUMBER OF POSITIONS	DIM A	DIM B	DIM C	DIM D±0.025	DIM E
10106813-02X112LF	20	7.00	5.75	4.50	10.45	9.74
10106813-03X112LF	30	9.50	8.25	7.00	12.95	12.24
10106813-04X11XLF	40	12.00	10.75	9.50	15.45	14.74
10106813-05X112LF	50	14.50	13.25	12.00	17.95	17.24
10106813-06X112LF	60	17.00	15.75	14.50	20.45	19.74
10106813-X7X112LF	70	19.50	18.25	17.00	22.95	22.24



OPTION 2 - FOOTPRINT
SEE TABLE FOR PCB LAYOUT DIMENSIONS
SEE NOTE 11 FOR STENCIL CREATION GUIDELINES

spec ref	---	dr	Stu Stoner	2010/11/18	projection	mm	size	A2	scale	10:1				
tolerance std	---	eng	Yuan-Yuan Bao	2022/04/01		mm	ecn no	ELX-N-44329-1	rel level	Released				
---	TOLERANCES UNLESS OTHERWISE SPECIFIED	chr	-	app							Tim Yao	2022/04/08	product family	MezzoStack
---	---	---	---	---							---	---	rel level	Released
surface	✓	linear	0.X	±0.3		TITLE HERMAPHRODITIC CONNECTOR, LONG STYLE 20-70 POS, 0.50 CTR, 4-7MM STACK HT	divg no	10106813	rev	H				
---	---	0.XX	±0.10	www.fci.com							cat. no.	-	Product - Customer Drw	sheet 6 of 7
---	---	0.XXX	±0.05											

NOTES

1 - MATERIAL:
 HOUSING - LCP, UL94-V0, COLOR: BLACK
 CONTACTS:
 CONTACT PLATING:
 SEPARABLE INTERFACE: PERFORMANCE-BASED PLATING, QUALIFIED TO MEET THE REQUIREMENTS OF FCI PRODUCT SPECIFICATION GS-12-577.
 SOLDER TAILS: GOLD FLASH
 HOLD DOWNS: BRASS PLATED WITH 2.5um Sn OVER 1.27um UNDERPLATE.

2 - RECOMMENDED LEAD FREE SOLDER PASTE THICKNESS 150um.

3 - THE HOUSING WILL WITHSTAND EXPOSURE TO 260°C PEAK TEMPERATURE FOR 30 SECONDS IN A CONVECTION INFRA RED OR VAPOR PHASE REFLOW OVEN.

4 - THIS PRODUCT MEETS EUROPEAN UNION DIRECTIVES AND OTHER COUNTRY REGULATION AS DESCRIBED IN GS-22-008

5 - PACKAGING TAPE AND REEL. PACKAGING SPECIFICATION GS-14-1320

6 - PRODUCT SPECIFICATION GS-12-577

⑦ - LEAD CO-PLANARITY TO BE 0.08MM MAX.

⑧ - PRACTICAL CONNECTOR HEIGHT AS SPECIFIED IN THE TABLE IS NOT THE DIMENSIONAL HEIGHT OF THE CONNECTOR BUT THE HEIGHT AS IT PERTAINS TO TOTAL STACK HEIGHT. AN EXAMPLE IS A CONNECTOR WITH A 2.5MM PRACTICAL CONNECTOR HEIGHT AND WHEN MATED TO ITSELF WILL RESULT IN A BOARD TO BOARD STACK HEIGHT OF 5MM.

⑨ - DISCRETE CONNECTOR HEIGHT AS SHOWN IN THE TABLE IS THE ACTUAL DIMENSIONAL CONNECTOR HEIGHT. ALSO SEE INFORMATION ON PRACTICAL HEIGHT IN NOTE 8.

⑩ - THE TOE HEIGHT OF THE SOLDER TAIL SHALL BE MEASURED FROM THE LOWEST POINT OF THE 0.08 COPLANRITY PLANE. THIS MEASUREMENT SHALL NOT EXCEED A WINDOW OF 0.00 TO 0.10MM.

⑪ - REFER TO IPC 7525-A FOR STENCIL CREATION



© 2020 Amphenol Corporation

spec ref	---	dr	Stu Stoner	2010/11/18	projection		mm	size	A2	scale	10:1
tolerance std	---	eng	Yuan-Yuan Bao	2022/04/01	chr	-		ecn no	ELX-N-44329-1		
	TOLERANCES UNLESS OTHERWISE SPECIFIED	appr	Tim Yao	2022/04/08	product family	MezzoStak		rel level	Released		
surface		linear	0.X	±0.3	Amphenol FCI	HERMAPHRODITIC CONNECTOR, LONG STYLE	divg no	10106813	rev	H	www.fci.com
			0.XX	±0.10							
			0.XXX	±0.05							
		angular	0°	±2°	cat. no.	-	Product - Customer Drw	sheet 7 of 7			