

NUMBER C-177900

三尖錐 (3-3) ANGLE PROJECTION

METRIC

PRINT DIST
最大寸法 DIMENSIONS IN MM. DO NOT SCALE PRINT

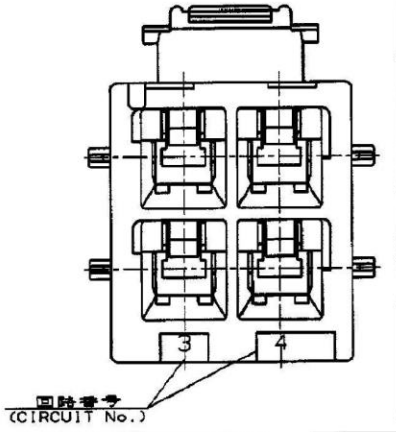
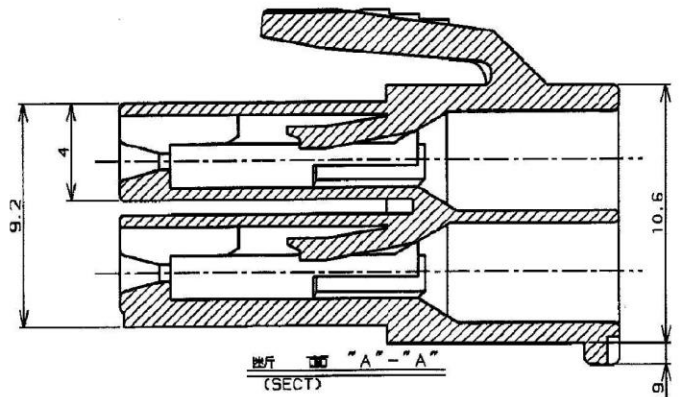
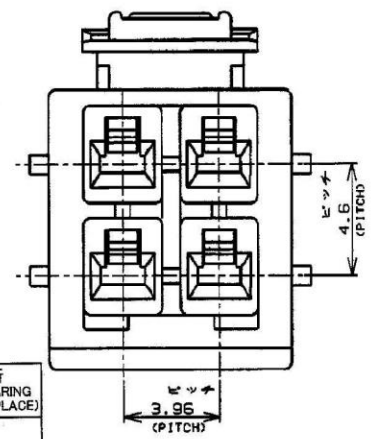
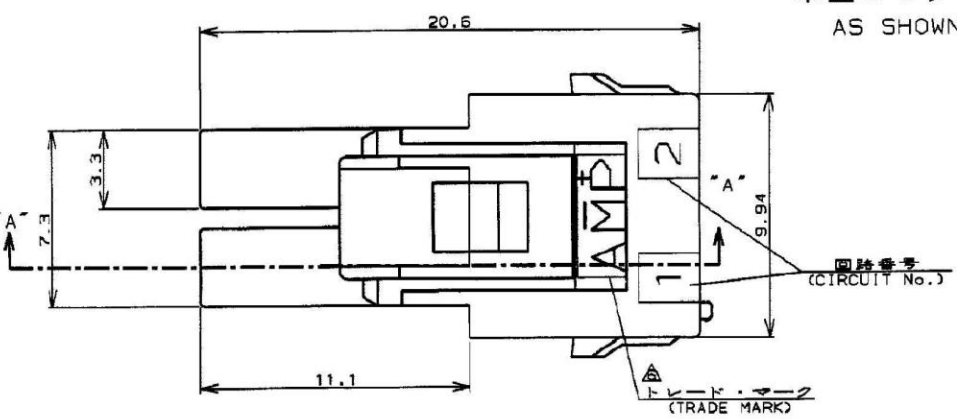
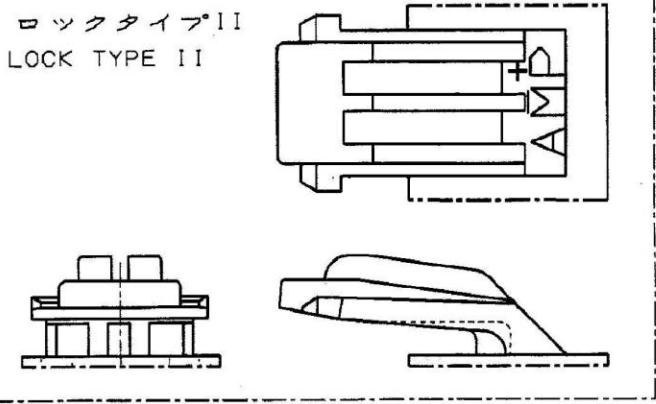


表1 (TABLE 1)

トレードマーク (TRADE MARK)	生産場所 (MANUFACTURING PLACE)
— AMP OR AMP	日本 (JAPAN)
—+ AMP OR AMP	中国 (CHINA(PRC))
— AMP OR AMP	韓国 (KOREA)

NOTES,

- PRODUCT SPEC, 108-5410
- APPLICABLE CONTACT P/N
REC CONTACT, 177915-□ (*20-#16AWG)
177914-□ (*26-#22AWG)
- MATING CONN, P/N
CAP HSG, 177908-□ (PANEL MOUNT)
TAB CONTACT, 177917-□ (*20-#16AWG)
177916-□ (*26-#22AWG)
- APPLICABLE PLATE P/N, 177918-□
- INSTRUCTION SHEET : 411-5638

- ALL PARTS MEET RTI ELECTRICAL RATING OF 105C ACCORDING TO UL 1977
- PART 5-177900-1 COMPLY WITH GLOW WIRE REQUIREMENT FOR PARTS OF NON-METALLIC MATERIAL SUPPORTING A CURRENT-CARRYING CONNECTION DETAILED IN IEC 60335-1, SECTION 30 (GWT)
- APPLICATION SPEC: 114-5175

ロックタイプ II LOCK TYPE II	自然色 (NATURAL)	4	3-177900-1
ロックタイプ I LOCK TYPE I	ハウジング色調 (HOUSING COLOR)	種数 (Pos.)	型番 (P/N)

ロックタイプ I LOCK TYPE I	自然色 (NATURAL)	4	5-177900-1
	青 (BLUE)	↑	↑ -6
	黄 (YELLOW)	↑	↑ -4
	赤 (RED)	↓	↓ -2
	自然色 (NATURAL)	4	177900-1

F4	REVISED PER ECR-19-017851	SM	DZ	20NOV 2019
F3	REVISED PER ECR-14-001994	AZ	D. Z	11FEB 2014
F2	REVISED PER ECR-12-019929	AZ	FM	16NOV 2012
F1	REVISED PER ECO-11-005140	RK	HMR	01APR '11
LTR	変更 (REVISION RECORD)	DR	CHK	DATE

材料 (MATERIAL) S/B ナイロン (UL94V-0) S/B NYLON (UL94V-0)	仕上 (FINISH)
DR. 9. SEP '93 M. SUZUKI	DE. 9. SEP '93 M. SUZUKI
CHK. 9. SEP '93 M. SHINDO	APP. 9. SEP '93 Y. KASHIWA

品名 (NAME) AMP POWER DOUBLE LOCK CONN. 4極 3.96mmピッチ プラグハウジング (2列タイプ) AMP POWER DOUBLE LOCK CONN. 3.96mm PITCH PLUG HOUSING 4 Pos (DBL ROW)	規格 (No.) A3 J C-177900
寸法 (SCALE) 10mm: ±0.2 10mm以下: ±0.25 10mm以上100mm以下: ±0.3 公差: ±0.3	REV. F4 SHEET 1 OF 1