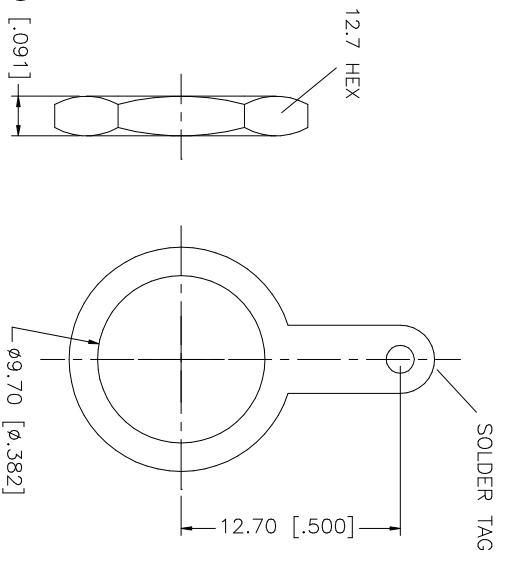
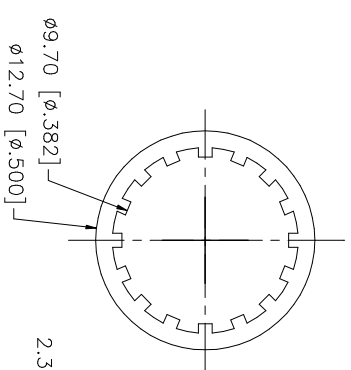
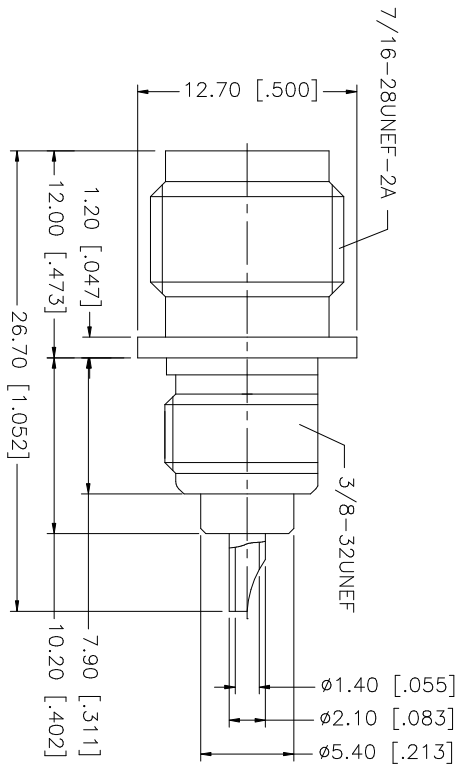
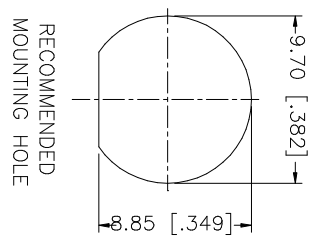


REV.	DATE	DESCRIPTION
A	01/10/04	UPDATE DRAWING FORMAT



NOTE:
1. MAX. PANEL THICKNESS = 3.2mm

QTY	FINISH	MATERIAL	DESCRIPTION
1	NICKEL	BRASS	SOLDER TAB
1	NICKEL	BRASS	HEX NUT
1	NICKEL	BRASS	LOCK WASHER
1	GOLD	PHOS. BRONZE	CONTACT PIN
1	NATURAL	DELRIIN	INSULATOR
1	NICKEL	BRASS	BODY
			DESCRIPTION

UNLESS OTHERWISE SPECIFIED DIMENSIONS ARE IN MILLIMETERS DIMENSIONS IN [] ARE IN INCHES AND FOR CUSTOMER REFERENCE ONLY.	UNLESS OTHERWISE SPECIFIED TOLERANCES FOR MILLIMETERS ARE:	UNLESS OTHERWISE SPECIFIED TOLERANCES FOR INCHES ARE:
0.5 - 8mm ± 0.20mm	0.5 - 30mm ± 0.40mm	0.020 - .315 = ± 0.007"
8 - 120mm ± 0.50mm	30 - 120mm ± 0.50mm	.315 - 1.180 = ± 0.015"
		1.180 - 4.724 = ± 0.020"

APPROVALS	DATE
DRAWN G.R.S.	01/10/04
CHECKED	
ISSUED	
SHEET 1 OF 1	

PART DESCRIPTION	PART NO.
TNC BULKHEAD RECEIPT. JACK	122332

CAD FILE	DWG. NO.	REV	SIZE	SCALE
C:/122/122332.DWG	122332.DWG	A	A	NA

Amphenol Connex