

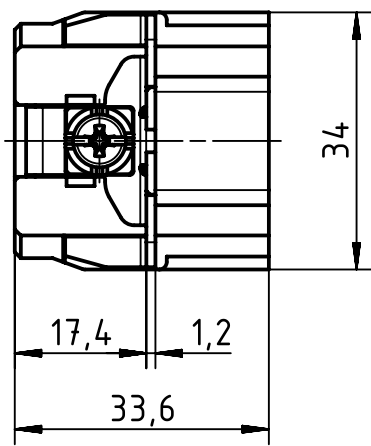
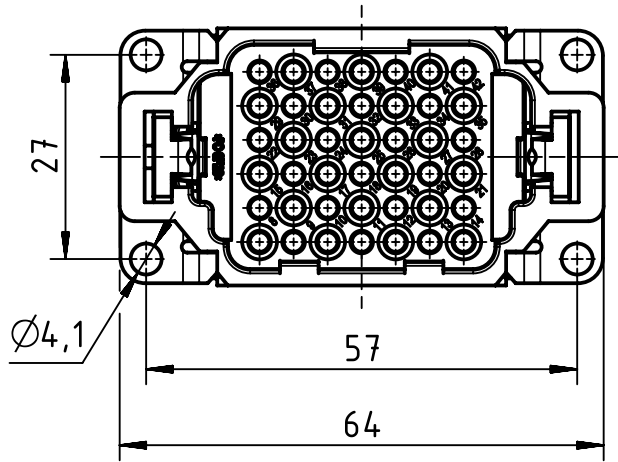
1 2 3 4 5 6

A

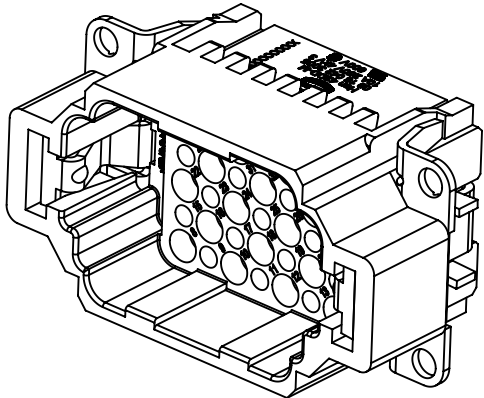
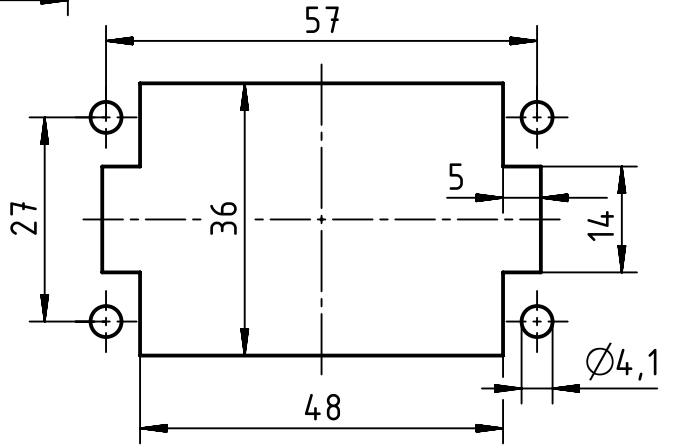
B

C

D



panel cut out



	All Dimensions in mm Original Size DIN A4		Scale 1:1	Free size tol.		Ref.		
			Created by LUPU	Inspected by PRIESTER	Standardisation RUETERA	Date 2018-12-04	State Final Release	
All rights reserved Department EL PD		Title Han 42DD-M fixing hole 4,1mm w/o screws					Doc-Key / ECM-Nr. 100570631/UGD/003/D 500000119498	
HARTING Electric GmbH & Co. KG D-32339 Espelkamp		Type TB	Number 09 16 042 3005			Rev. D	Page 1/1	