

- 1
- 2
- 3
- 4
- 5
- 6
- 7
- 8
- 9
- 10
- 11
- 12
- 13
- 14
- 15
- 16
- 17
- 18

**MATERIAL**

High-resistance reinforced phenolic based (PF) Duroplast, black colour, glossy finish.

**STANDARD EXECUTIONS**

Black-oxide steel hub.

- **VDC-GXX**: for gravity indicators.

Solid hub, see table for maximum permissible boring diameters d' and d".

- **VDC-GXX+I**: for gravity indicators.

Solid hub, see table for maximum permissible boring diameters d' and d".

Revolving handle I.301+x (see page 574) in Duroplast, black colour, glossy finish.

- **VDC-PXX+I**: for positive drive indicators.

Rear flange with internal crown gear wheel in acetal resin based (POM) technopolymer. Black-oxide steel screw and anchor pin.

Hub with H7 reamed through hole.

Revolving handle I.301+x (see page 664) in Duroplast, black colour, glossy finish.

**ERGONOMY**

The rim with internal rear scallops (for models with diameter D ≥ 125 mm) makes the grip and the manoeuvre of the handwheel easier especially in the versions without handle.

**INDICATOR CHOICE (TO BE ORDERED SEPARATELY)**

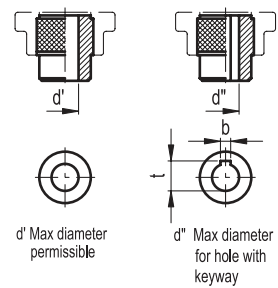
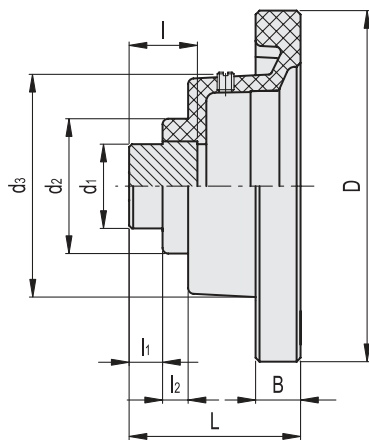
To choose the indicator see the table below for possible assembly with indicators.

See also "Assembly instructions" for gravity indicators type G (on page 724) or positive drive indicators type P (on page 726).



ELESA Original design

**VDC-GXX**



Conversion Table	
1 mm = 0.039 inch	
D	
mm	inch
87	3.42
108	4.25
125	4.92
140	5.51
160	6.30
180	7.09
200	7.87

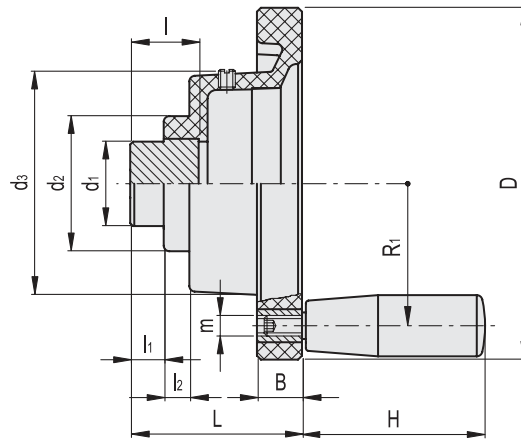
**VDC-GXX**

METRIC

Code	Description	D	L	d'	d''	t	b	d1	d2	d3	l	l1	l2	B	⚖	Handwheel/indicator combinations
CE.30501	VDC.125-GXX2	125	61	25	20	22.8	6	30	48	82	25	12	9	16	400	GA02 - GA12 - GW12
CE.30601	VDC.140-GXX2	140	65	25	20	22.8	6	30	50	82	25	12	9	17	470	GA02 - GA12 - GW12
CE.30701	VDC.160-GXX2	160	72	30	24	27.3	8	35	53	84	30	15	10	18	650	GA02 - GA12 - GW12
CE.30901	VDC.160-GXX5	160	71	31	25	28.3	8	36	53	123	34	14	11	18	730	GA05
CE.31001	VDC.180-GXX5	180	78	31	25	28.3	8	36	56	127	34	14	12	19	940	GA05
CE.31101	VDC.200-GXX5	200	79	35	29	32.3	8	40	59	127	34	13	15	20	1080	GA05

Position indicators

VDC-GXX+I

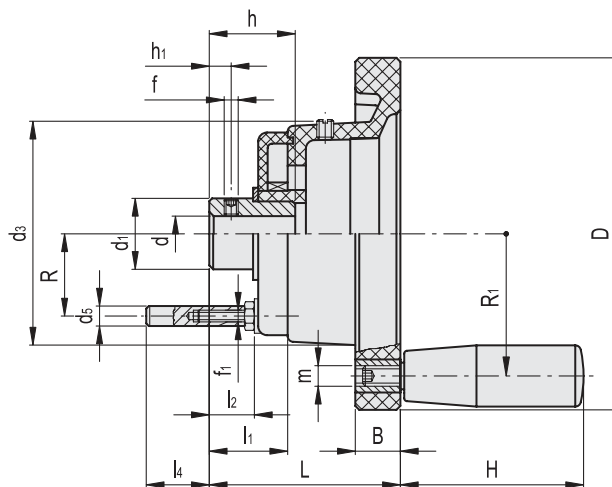


VDC-GXX+I

METRIC

Code	Description	D	L	d'	d''	t	b	d1	d2	d3	l	l1	l2	B	H	m	R1	⚖	Handwheel/indicator combinations
CE.30461	VDC.80-GXX1+I	87	57	20	16	18.3	5	25	40	58	23	11	8.5	14	40	M6	34.5	245	GA01 - GA11
CE.30481	VDC.100-GXX2+I	108	60	25	20	22.8	6	30	46	79	25	12	9.5	14	50	M6	45	375	GA02 - GA12 - GW12
CE.30511	VDC.125-GXX2+I	125	61	25	20	22.8	6	30	48	82	25	12	9	16	65	M8	53	480	GA02 - GA12 - GW12
CE.30611	VDC.140-GXX2+I	140	65	25	20	22.8	6	30	50	82	25	12	9	17	65	M8	60	540	GA02 - GA12 - GW12
CE.30711	VDC.160-GXX2+I	160	72	30	24	27.3	8	35	53	84	30	15	10	18	80	M8	68	750	GA02 - GA12 - GW12
CE.30811	VDC.180-GXX2+I	180	78	30	24	27.3	8	35	56	85	30	15	10	19	80	M10	77.5	890	GA02 - GA12 - GW12
CE.30911	VDC.160-GXX5+I	160	71	31	25	28.3	8	36	53	123	34	14	11	18	80	M8	68	825	GA05
CE.31011	VDC.180-GXX5+I	180	78	31	25	28.3	8	36	56	127	34	14	12	19	80	M10	77.5	1010	GA05
CE.31111	VDC.200-GXX5+I	200	79	35	29	32.3	8	40	59	127	34	13	15	20	80	M10	87	1180	GA05

VDC-PXX+I



Conversion Table 1 mm = 0.039 inch	
D	
mm	inch
87	3.42
108	4.25
125	4.92
140	5.51
160	6.30
180	7.09
200	7.87

VDC-PXX+I

METRIC

Code	Description	D	L	dH7	h	d1	d3	d5	f	f1	h1	l1	l2	l4	B	H	m	R	R1	⚖	Handwheel/indicator combinations
CE.30462	VDC.80-PXX1+I A-8	87	57	8	23	18	58	6	M5	M4	5	19	11	14.1	14	40	M6	19	34.5	230	PA01 - PA11
CE.30482	VDC.100-PXX2+I A-10	108	60	10	25	30	78	6	M5	M4	6	21	13	12.1	14	50	M6	28.5	45	390	PA02 - PA12 - PW12

