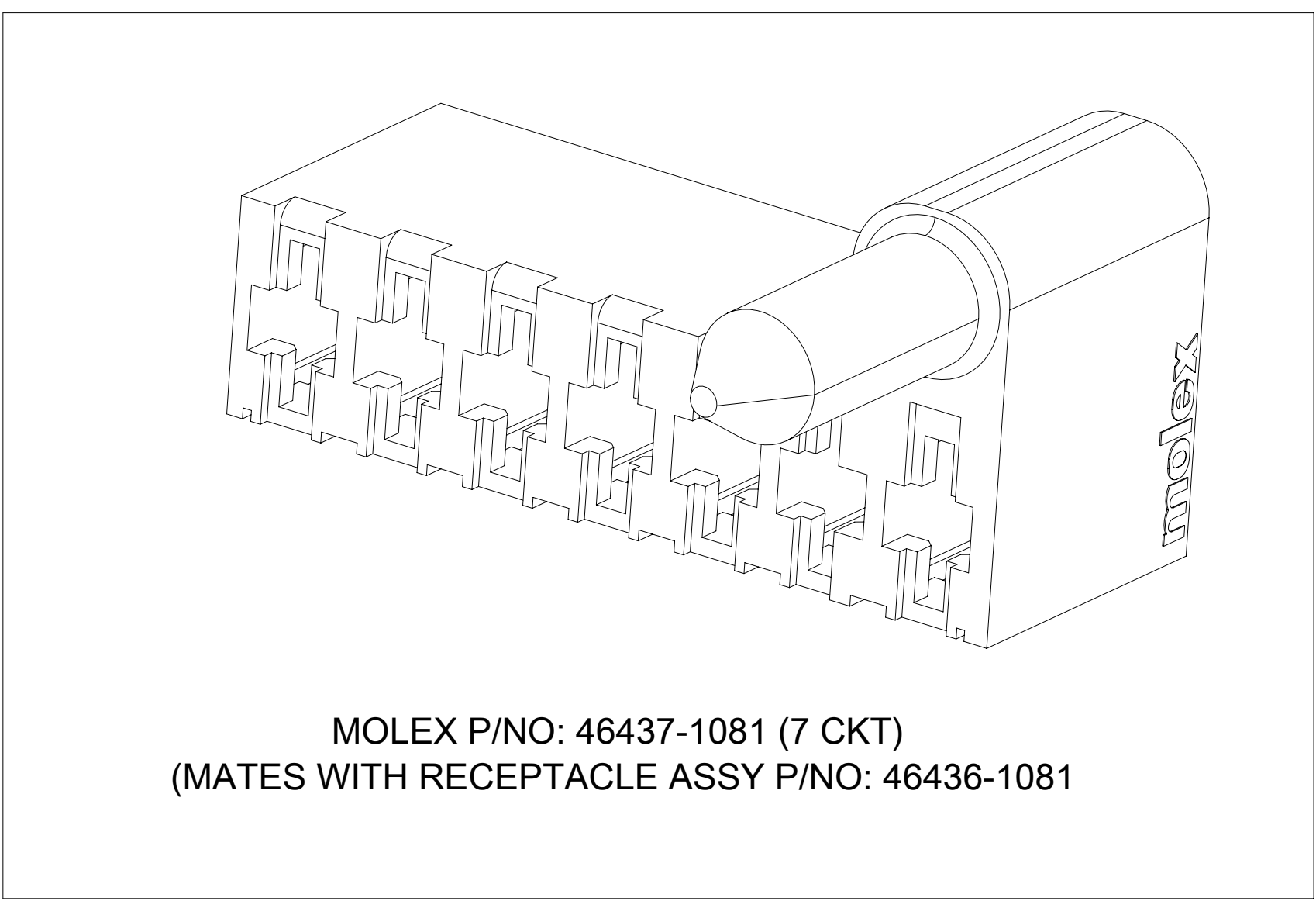
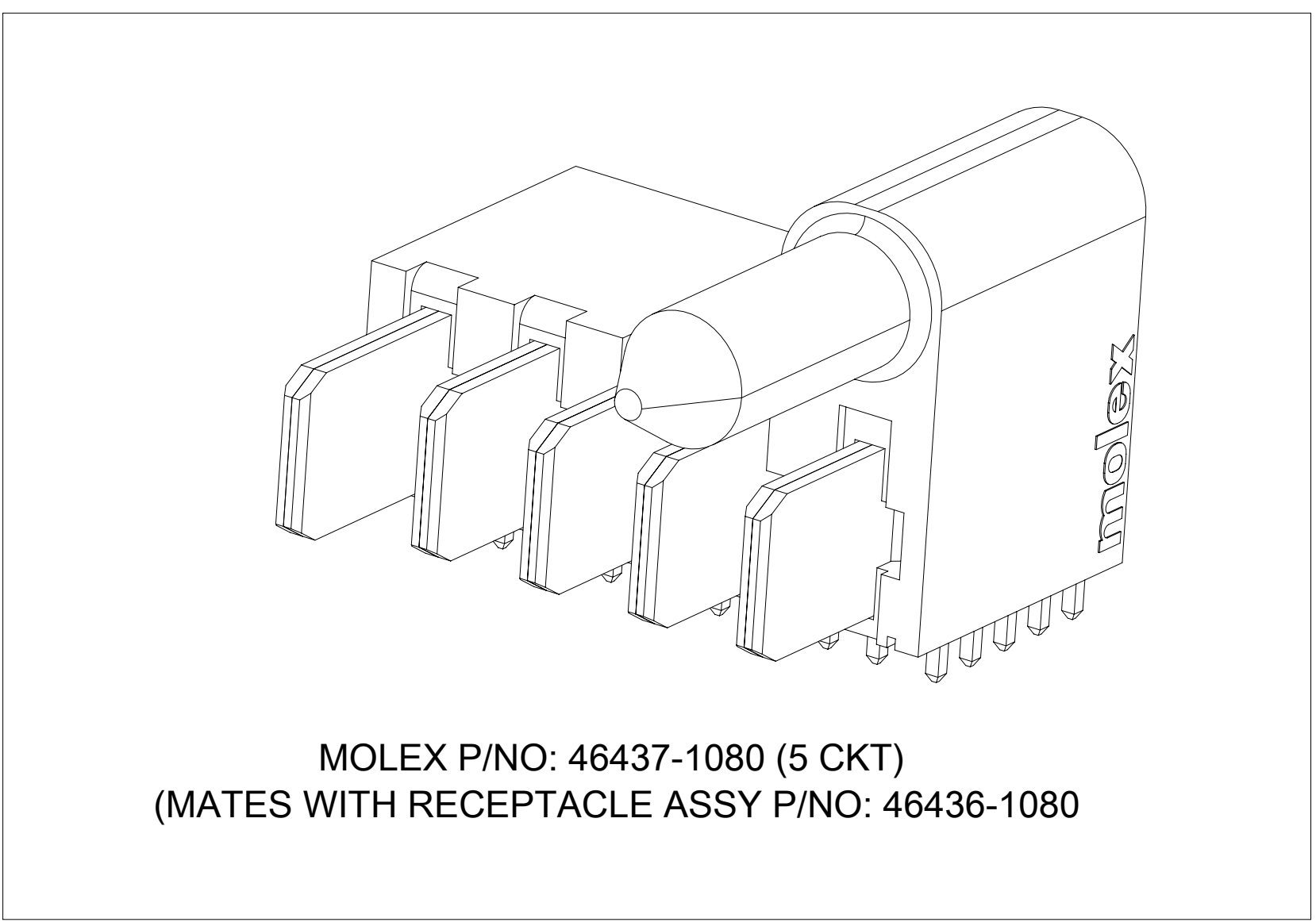


- NOTES:
- MATERIAL:
 - HOUSINGS: LCP UL94, V-0, COLOR : BLACK
 - TERMINALS: HIGH CONDUCTIVITY COPPER ALLOY
 - PLATING: 1.27 MICROMETER (50 MICROINCH) NICKEL OVERALL WITH 2.54 MICROMETER (100 MICROINCH) SELECTIVE TIN ON TAILS AND 0.762 MICROMETER (30 MICROINCH) SELECTIVE GOLD ON CONTACT AREA
 - PACKAGING: ASSEMBLIES TO BE TRAY PACKED PER PACKAGING SPEC: 464371003-PK
 - PLATED THRU HOLE SIZE, REFER TO PS-46436-100 FOR DETAILS
 - PRODUCT SPEC: PS-46436-100
 - PRODUCT TO MEET RoHS REQUIREMENTS
 - POWER CONTACTS ARE LUBRICATED.



THIS DRAWING CONTAINS INFORMATION THAT IS PROPRIETARY TO MOLEX ELECTRONIC TECHNOLOGIES, LLC AND SHOULD NOT BE USED WITHOUT WRITTEN PERMISSION									
DIMENSION UNITS		SCALE		CURRENT REV DESC: UPDATED DRAWING VIEWS DUE TO ERROR IN SYSTEM					
mm		3:1							
GENERAL TOLERANCES (UNLESS SPECIFIED)									
ANGULAR TOL ± 0.5°									
4 PLACES		±		EC NO: 643807		2020/08/20			
3 PLACES		±		DRWN: GJEEVANSURES		2020/08/21			
2 PLACES		± 0.13		CHK'D: GJEEVANSURES		2020/08/24			
1 PLACE		± 0.25		APPR: HTHYAGARAJ		2020/08/24			
0 PLACES		±		INITIAL REVISION:					
				DRWN: BKOSTIC		2009/07/14			
				APPR: JCOMERCI		2009/10/02			
DRAFT WHERE APPLICABLE MUST REMAIN WITHIN DIMENSIONS				THIRD ANGLE PROJECTION		DRAWING		SERIES	
				D-SIZE		46436			
				MATERIAL NUMBER		CUSTOMER		SHEET NUMBER	
						GENERAL MARKET		1 OF 1	