

6

5

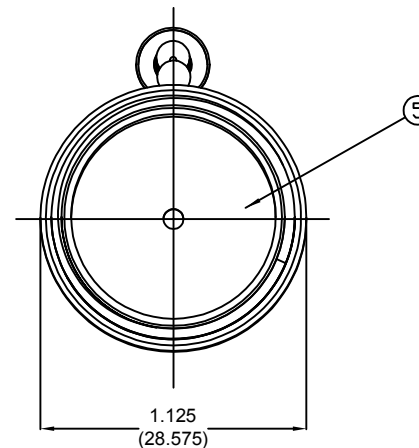
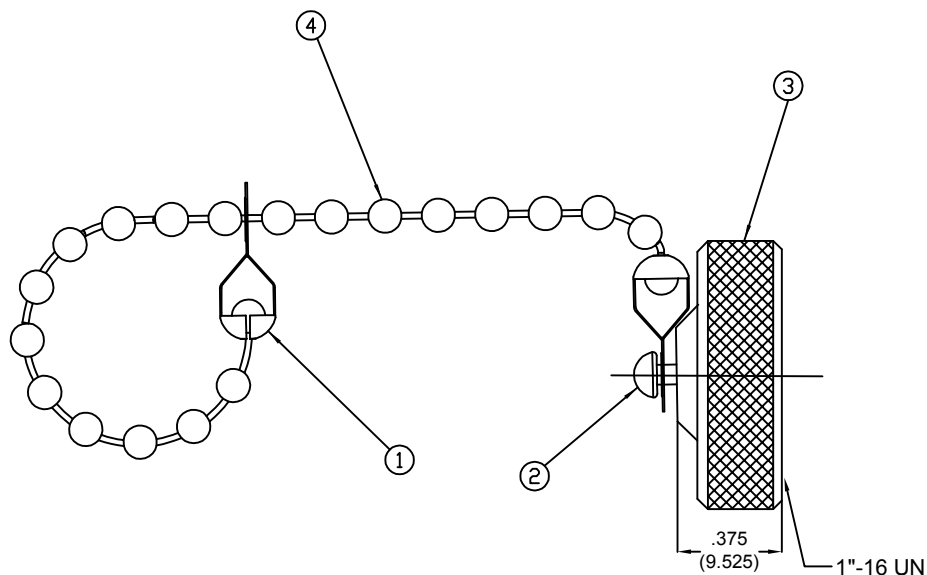
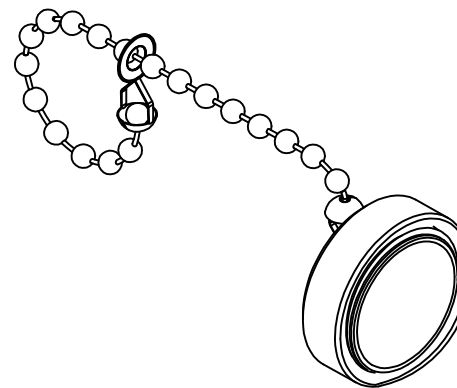
4

3

2

1

PART NUMBER	OLD PART NUMBER
1302011117	65-0103SS



-	COMPONENT	MATERIAL	FINISH
1	BEAD CHAIN FITTING (1/8IN.)	STEEL	NICKEL PLATED
2	.187 SCREW	STAINLESS STEEL	PASSIVATED
3	CLOSURE CAP	STAINLESS STEEL	PASSIVATED
4	BEAD CHAIN	STEEL	NICKEL PLATED
5	GASKET	NEOPRENE	BLACK

EC NO: WNA2010-0167	9/3/09
DRWN: BWOODMAN	
CHKD: ---	
APPR: JFMURPHY	2009/09/11
REV	DESCRIPTION
B	

QUALITY SYMBOLS

 $\nabla = 0$
 $\nabla C = 0$

GENERAL TOLERANCES (UNLESS SPECIFIED)

	mm	INCH
4 PLACES	±---	±---
3 PLACES	±.005	±.005
2 PLACES	±.013	±.010
1 PLACE	±.025	±.020

ANGULAR $\pm 1/2^\circ$ DRAFT WHERE APPLICABLE
MUST REMAIN
WITHIN DIMENSIONSDIMENSION STYLE
IN/MM

DRAWN BY	DATE
TVICKERS	2009/08/21
CHECKED BY	DATE
B.WOODMA	2009/08/21
APPROVED BY	DATE
JFMURPHY	2009/09/11

MATERIAL NO.

SEE CHART

SIZE
ASCALE
1:1DESIGN UNITS
INCHTHIRD ANGLE
PROJECTIONCLOSURE CAP
ASSEMBLY

MOLEX INCORPORATED

DOCUMENT NO.

SD-130201-233

SHEET NO.

1 OF 1

THIS DRAWING CONTAINS INFORMATION THAT IS PROPRIETARY TO MOLEX INCORPORATED AND SHOULD NOT BE USED WITHOUT WRITTEN PERMISSION

6

5

4

3

2

1