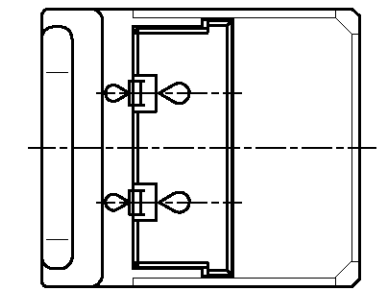
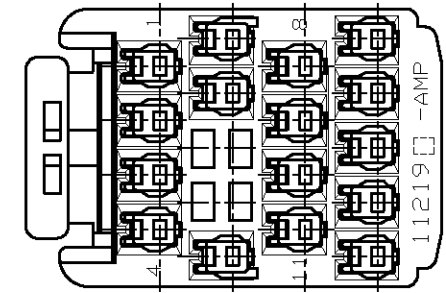
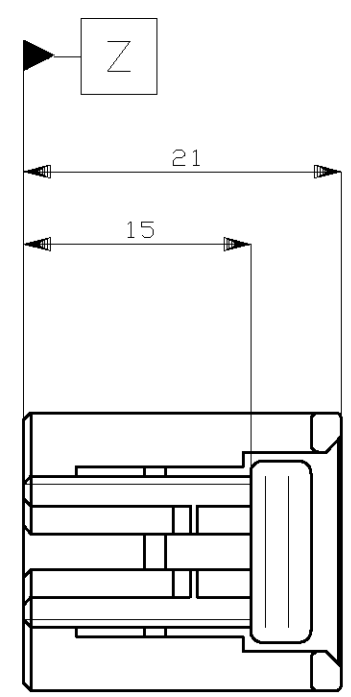
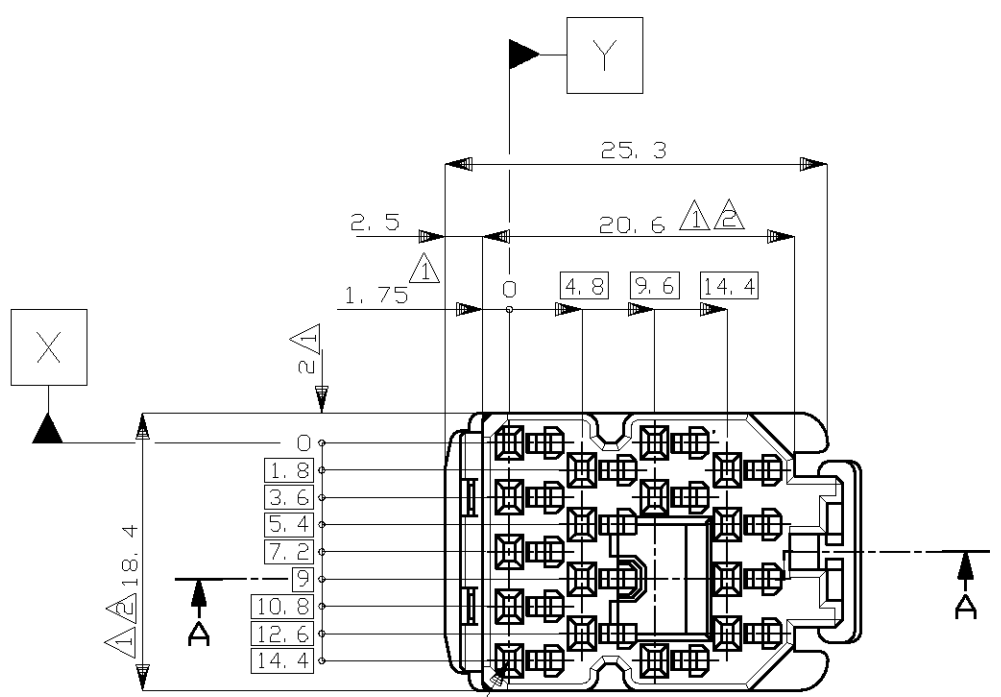
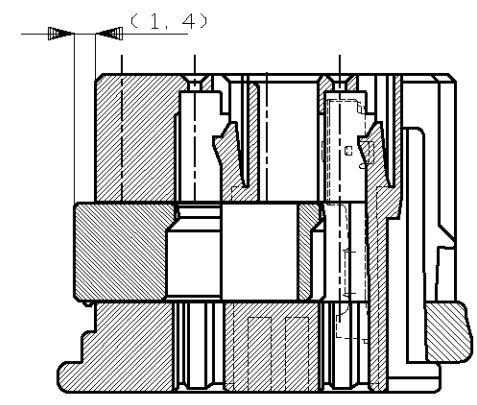


THIS DRAWING IS UNPUBLISHED. RELEASED FOR PUBLICATION
 © COPYRIGHT - By Tyco Electronics JAPAN G.K. ALL RIGHTS RESERVED.

LOC	DIST	REVISIONS					
		P	LTR	DESCRIPTION	DATE	DWN	APVD
J	-	A1	REDRAWN W/CHANGE	ECR-13-000281	16JAN2013	TS	KB



0.3	X	Y
-----	---	---



SECT. A-A

- 1. TO BE MEASURED BETWEEN [Z] AND 2.
 - 2. TO BE MATE WITH CAP HOUSING SMOOTHLY.
 - 3. APPLIED CONTACT PART NUMBER ; 175266 AND 175267.
 - 4. APPLICABLE PRODUCT SPECIFICATION NUMBER ; 108-5359.
 - 5. RETAINER COLOR ; ALL WHITE
- 1. [Z] 面から2mmの範囲で測定。
 - 2. 相手ハウジングと所定の機能を満足して嵌合できること。
 - 3. 内装するリセプタクルコンタクト型番 ; 175266 及び 175267
 - 4. 適用製品規格番号 ; 108-5359
 - 5. リテーナは全て白色。

OBSOLETE	灰 (DARK GRAY)	316013-6
	黒 (BLACK)	316013-2
	白 (WHITE)	316013-1
	色 COLOR	型番 PART NUMBER

TOLERANCES UNLESS OTHERWISE SPECIFIED:

10 ≥	: ±0.2
30 ≥ > 10	: ±0.25
100 ≥ > 30	: ±0.3
ANGLE : ±3°	

THIS DRAWING IS A CONTROLLED DOCUMENT.

DIMENSIONS: mm	TOLERANCES UNLESS OTHERWISE SPECIFIED:	DWN T.SHINOHARA 16JAN2013	STE TE Connectivity
	0 PLC ± - 1 PLC ± - 2 PLC ± - 3 PLC ± - 4 PLC ± - ANGLES ± -	CHK K.BETSUI 16JAN2013	
MATERIAL PBT	FINISH -	APVD K.BETSUI 16JAN2013	NAME
		PRODUCT SPEC	040 SERIES PAIRMATE CONNECTOR
		APPLICATION SPEC	16POSITION PLUG HOUSING ASSEMBLY
		WEIGHT -	SIZE CAGE CODE DRAWING NO RESTRICTED TO
		CUSTOMER DRAWING	A3 00779 C-316013
			SCALE 2:1 SHEET 1 OF 1 REV A1