

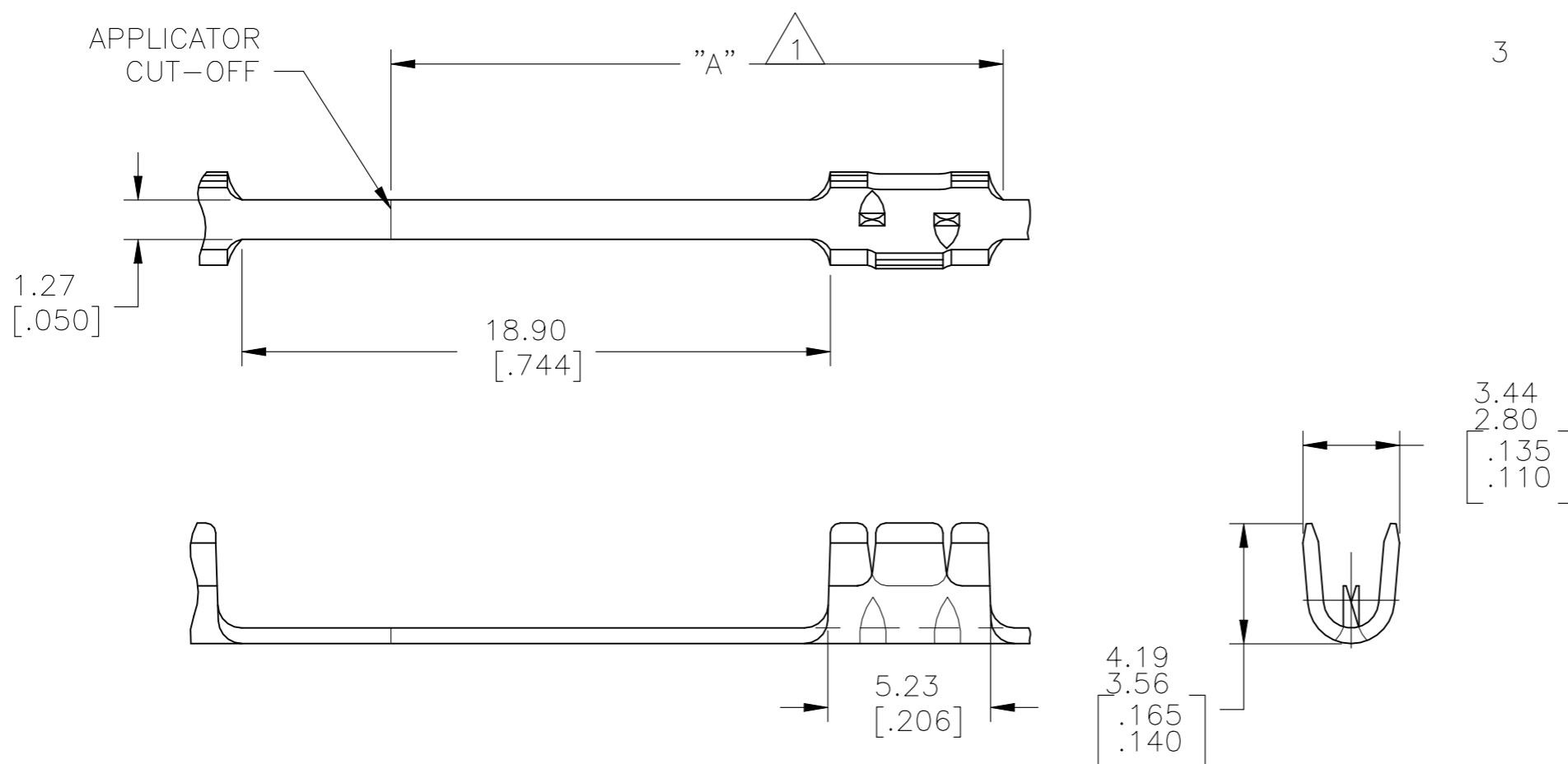
REVISIONS

P	LTR	DESCRIPTION	DATE	DWN	APVD
	A2	REVISED ECR-22-156547	14OCT2022	BH	E.W

1 USE SLUG BLADE IN APPLICATOR AS FOLLOWS:

"A"	SLUG BLADE
14.68[.578]	9.19[.362]
21.90[.862]	1.98[.078]

- 2 WIRE SIZE 20-18 A.W.G.
- 3 INSULATION RANGE: .065-.080



61248-1

PART NO

THIS DRAWING IS A CONTROLLED DOCUMENT.

DWN RAGHAVENDRA 08OCT09

CHK M STRECKEWALD 08OCT09

APVD M STRECKEWALD 08OCT09

PRODUCT SPEC

APPLICATION SPEC

WEIGHT -

CUSTOMER DRAWING



TAB - INSULATION PIERCING

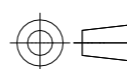
SIZE CAGE CODE DRAWING NO RESTRICTED TO

A3 00779 C-61248

SCALE 5:1 SHEET 1 OF 1 REV A2

DIMENSIONS:  
mm [INCHES]

TOLERANCES UNLESS OTHERWISE SPECIFIED:



0 PLO	± -
1 P/LC	± -
2 P/LC	± -
3 P/LC	± 0.38[.015]
4 PLO	± -
ANGLES	± 1° 0'

MATERIAL BRASS

FINISH TIN