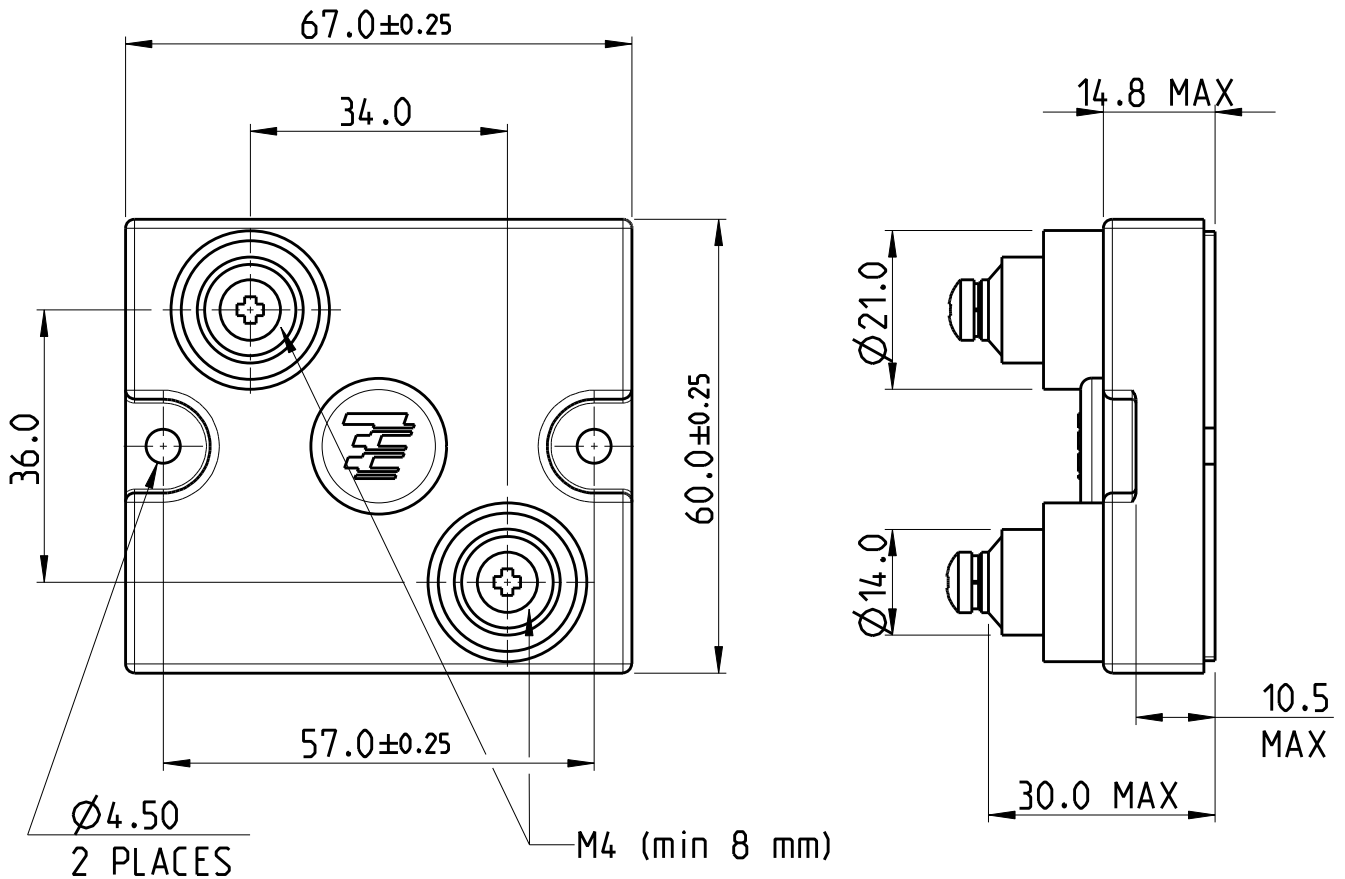



|     |      |           |     |             |           |     |      |
|-----|------|-----------|-----|-------------|-----------|-----|------|
| LOC | DIST | REVISIONS |     |             |           |     |      |
| AI  | -    | P         | LTR | DESCRIPTION | DATE      | DWN | APVD |
|     |      | A         |     | NEW DRAWING | 23FEB2012 | DMS | ST.P |



NOTE:

FOR FURTHER INFORMATION PLEASE SEE BDS 250 / 400 SERIES DATASHEET

2011  
 RELEASED FOR PUBLICATION  
 ALL RIGHTS RESERVED.  
 THIS DRAWING IS UNPUBLISHED.  
 © COPYRIGHT 2011

|  |                  |             |  |           |            |               |     |   |
|--|------------------|-------------|--|-----------|------------|---------------|-----|---|
| DIMENSIONS:                            | DWN              | 23FEB2012   | MATERIAL   | FINISH    |            |               |     |   |
| mm                                     | DARSHAN MS       |             | -  | -         |            |               |     |   |
| TOLERANCES UNLESS OTHERWISE SPECIFIED: | CHK              | 23FEB2012   |  TE Connectivity |           |            |               |     |   |
|  | ALLAN P          |             |  |           |            |               |     |   |
| 0 PLC ±                                | APVD             | 23FEB2012   | NAME<br>THICK FILM POWER RESISTOR<br>BDS 400 SERIES  |           |            |               |     |   |
| 1 PLC ±                                | STEPHEN.P        |             |  |           |            |               |     |   |
| 2 PLC ±                                | PRODUCT SPEC     |             | SIZE   | CAGE CODE | DRAWING NO | RESTRICTED TO |     |   |
| 3 PLC ±                                | -                |             | A 4  | 00779     | C-1879563  | -             |     |   |
| 4 PLC ±                                | APPLICATION SPEC |             | CUSTOMER DRAWING   |           |            |               |     |   |
| ANGLES ±°                              | WEIGHT           | 185.29 Gram | SCALE  | 1:1       | SHEET      | 1 OF 1        | REV | A |