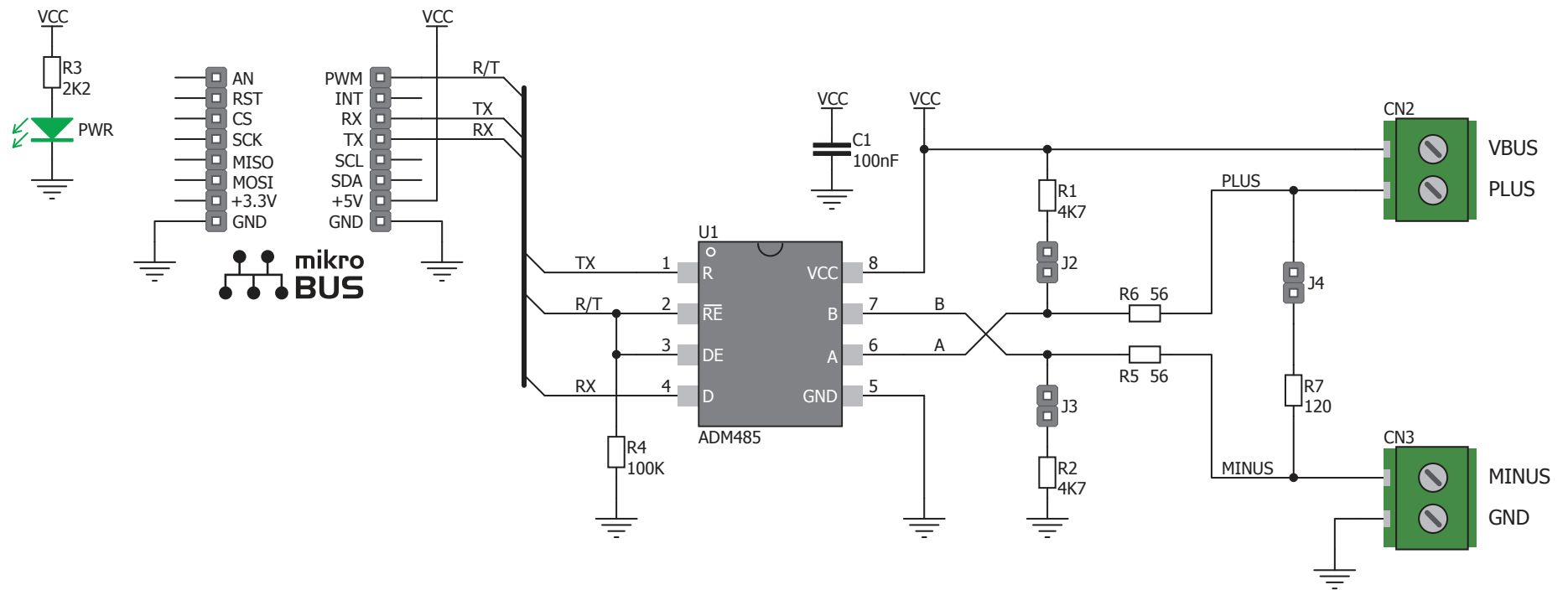


RS485 5V click schematic v100



www.mikroe.com