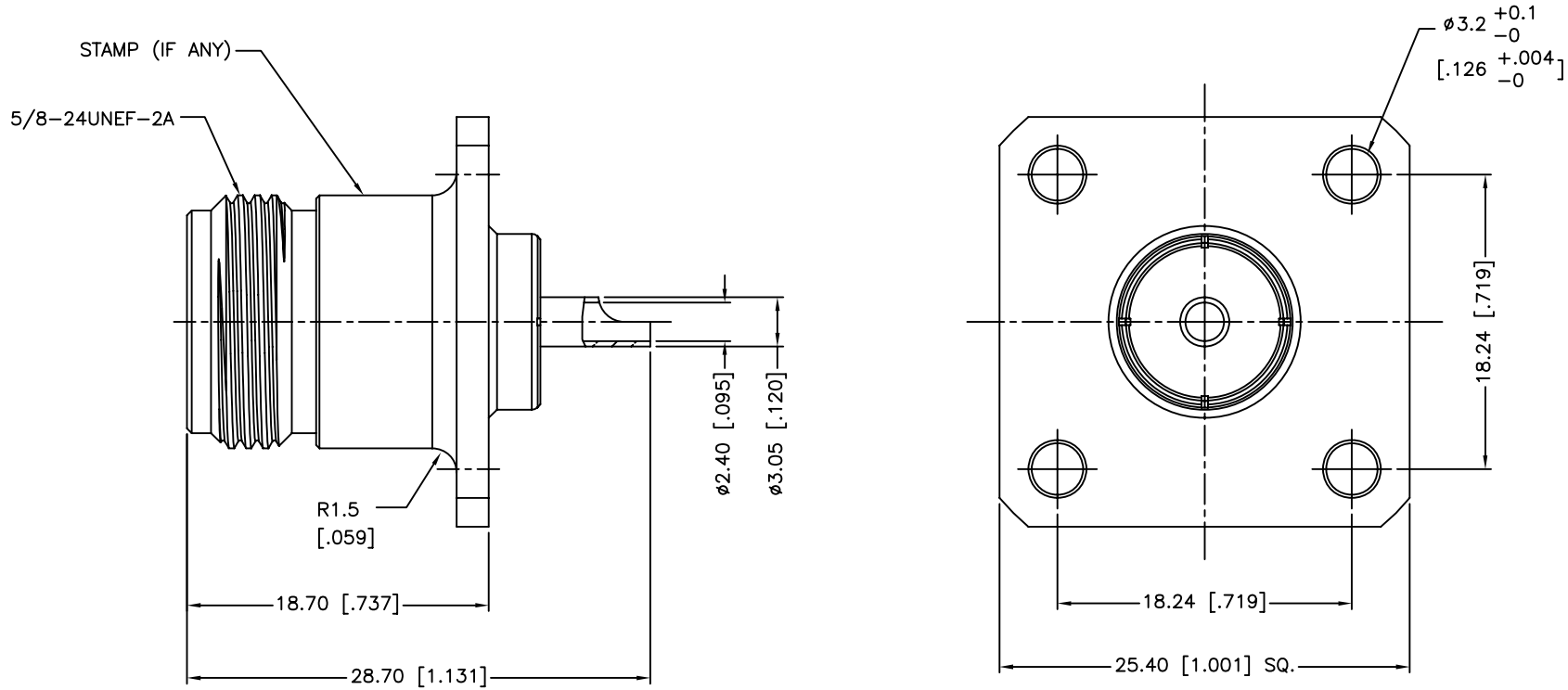


REV.	DATE	ECR NO.	DESCRIPTION
NC	12/14/09	XXXXXX	INITIAL RELEASE



<small>UNLESS OTHERWISE SPECIFIED DIMENSIONS ARE IN MILLIMETERS. DIMENSIONS IN [] ARE IN INCHES AND FOR CUSTOMER REFERENCE ONLY.</small> <small>UNLESS OTHERWISE SPECIFIED TOLERANCES FOR MILLIMETERS ARE:</small> 0.5 - 8mm ± 0.20mm 8 - 30mm ± 0.40mm 30 - 120mm ± 0.50mm <small>UNLESS OTHERWISE SPECIFIED TOLERANCES FOR INCHES ARE:</small> .020 - .315 = ± 0.007" .315 - 1.180 = ± 0.015" 1.180 - 4.724 = ± 0.020" DO NOT SCALE DRAWING	APPROVALS	DATE
	DRAWN M.ZHANG	12/14/09
	CHECKED	
	ISSUED	
	SHEET 1 OF 1	
CAD FILE C:/CONNEX/172119-11.DWG		

Amphenol Connex

PART DESCRIPTION			
N PANEL RECEPT. JACK			
PART NO.		172119-11	
DWG. NO.	172119-11.DWG	REV.	NC
SIZE	A	SCALE	NA

QTY	FINISH	MATERIAL	DESCRIPTION
1	NICKEL	BRASS	BODY
1	NATURAL	PTFE	INSULATOR
1	GOLD	PHOSPHOR BRONZE	CONTACT PIN