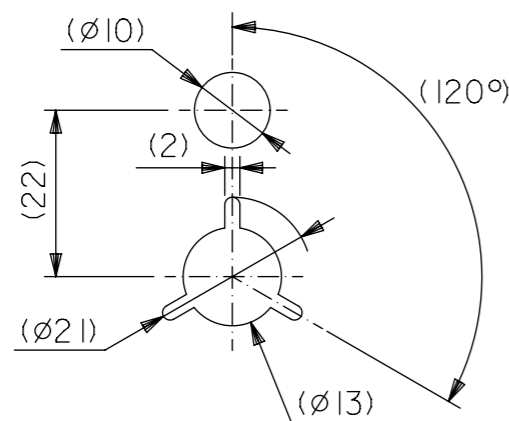
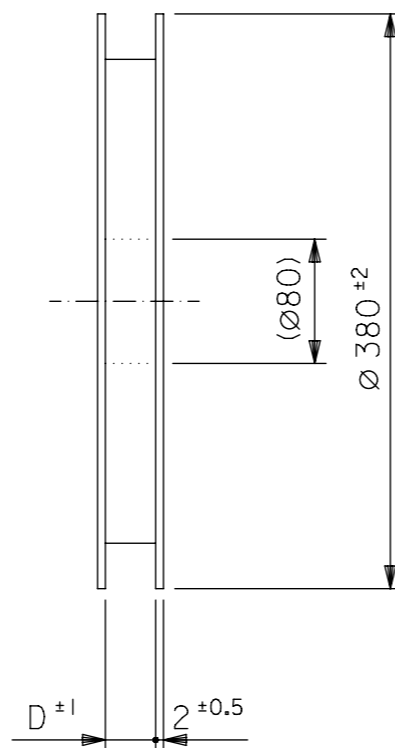
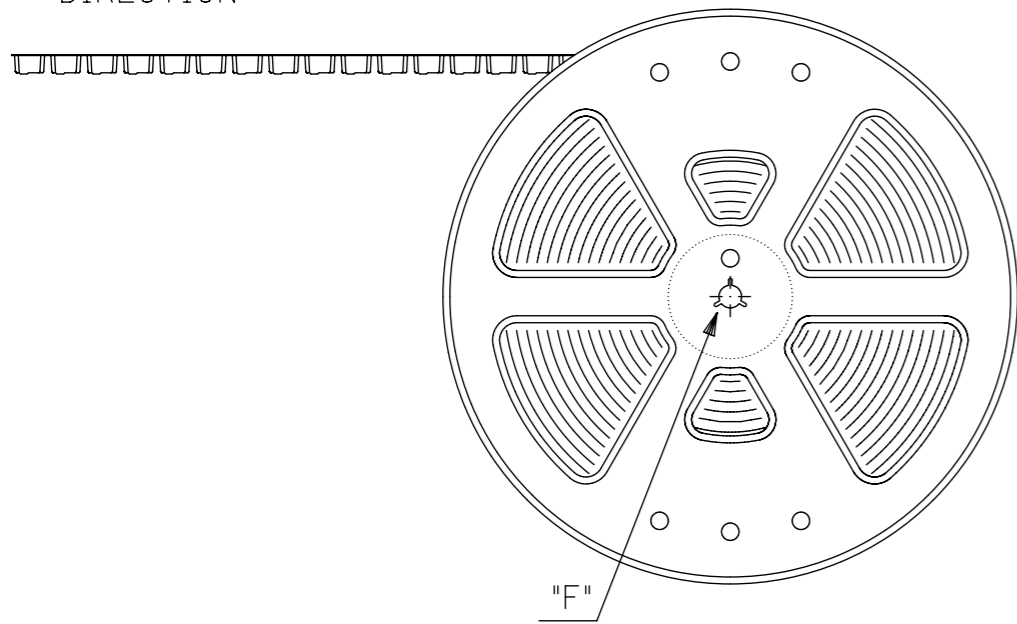


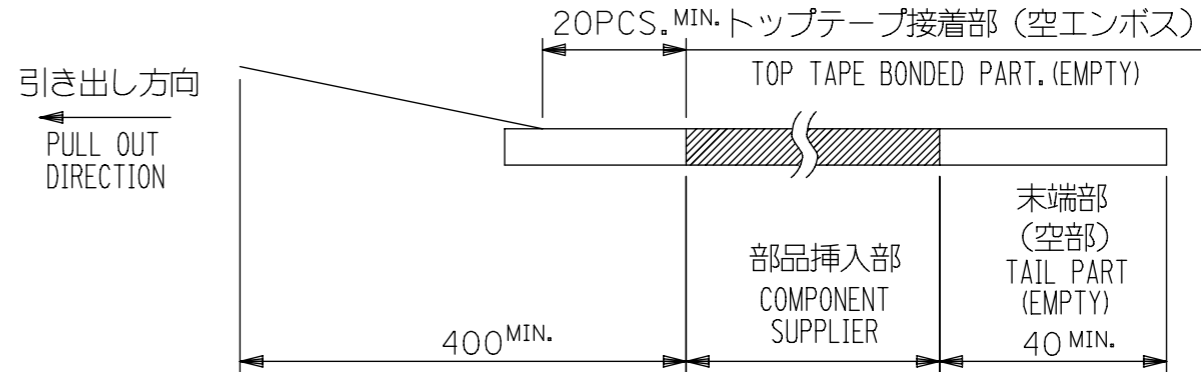
NOTES

- 製品詳細寸法については図面 538851000-SD を参照下さい。
 DETAILED DIMENSION, SEE 538851000-SD
- 梱包数量：3000個/リール
 NUMBER OF CONNECTORS : 3000PCS/REEL
- リードテープ長さ LEAD TAPE LENGTH

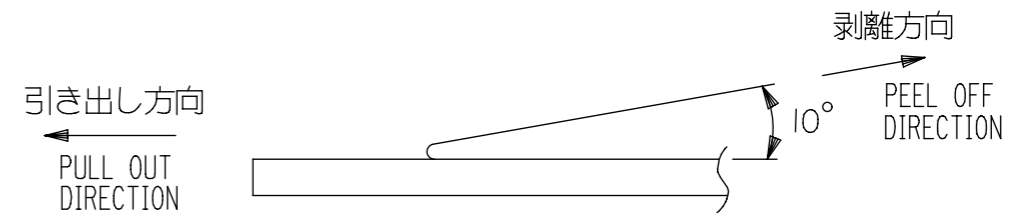
引き出し方向
 PULL OUT
 DIRECTION



DETAIL "F"



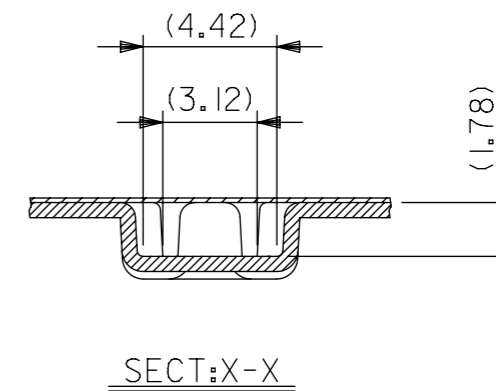
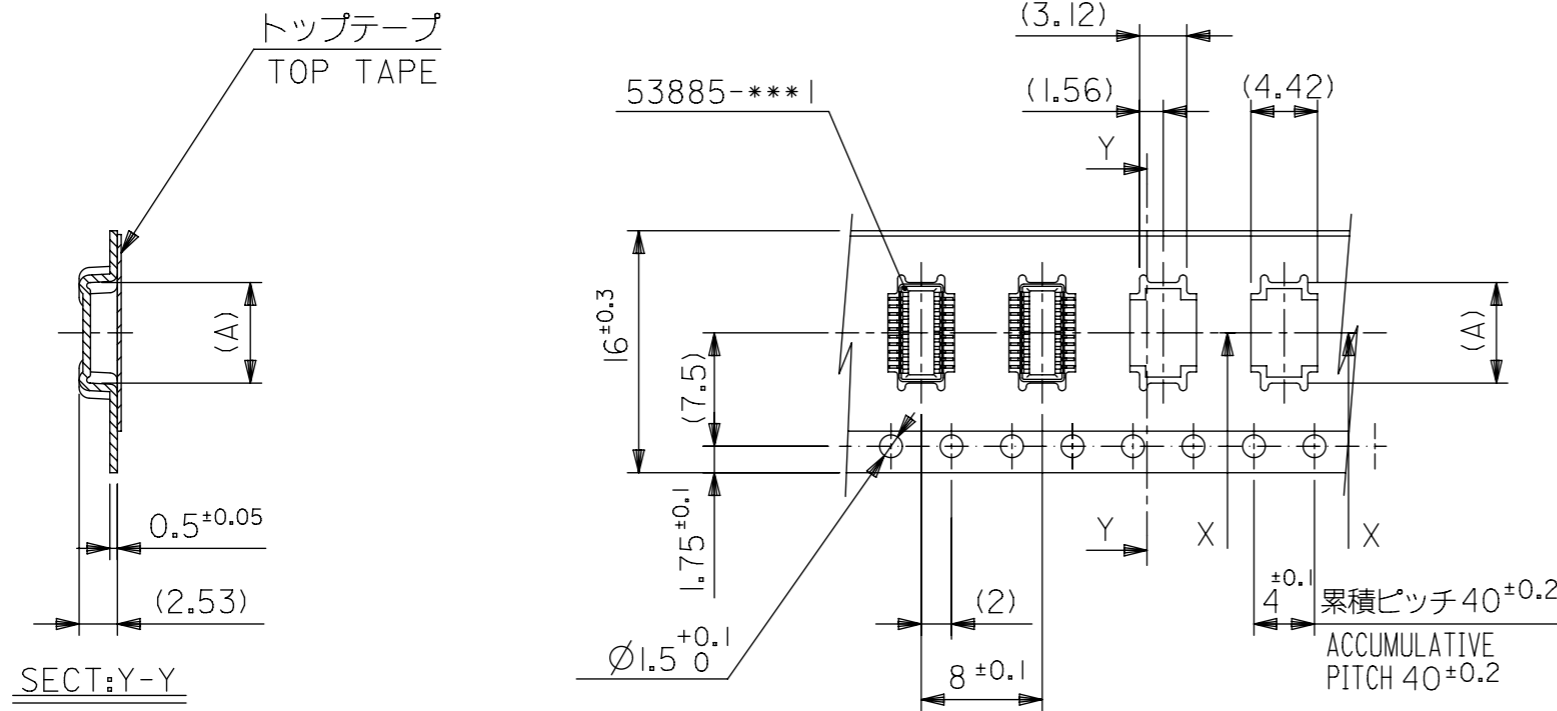
- トップテープの剥離強度：0.1N ~ 0.7N(10.2gf ~ 71.4gf)
 (剥離方向は下図参照)
 尚、本規格値は出荷時に適用。(但し、輸送時に剥離が発生しないこと。)
 PEELING OFF FORCE OF TOP TAPE : 0.1N ~ 0.7N(10.2gf ~ 71.4gf)
 (PEELING DIRECTION AS SHOWN IN FOLLOWING FIG.)
 THIS REQUIREMENT SHOULD BE APPLIED AT SHIPMENT.
 PEEL OFF SHOULD NOT BE ALLOWED , DURING TRANSPORTATION.



- 材料(MATERIAL)
 キャリアテープ(CARRIER TAPE)：ポリプロピレン(POLYPROPYLENE)
 トップテープ(TOPTAPE)：PET , PE , PEF
 リール(REEL)：ポリスチレン (PS) <リサイクル材を含む>
 POLYSTYREN(PS) <RECYCLE MATERIAL CONTAINED>

THIS DRAWING CONTAINS INFORMATION THAT IS PROPRIETARY TO MOLEX ELECTRONIC TECHNOLOGIES, LLC AND SHOULD NOT BE USED WITHOUT WRITTEN PERMISSION		CURRENT REV DESC: REDRWAN AND REVISED			
DIMENSION UNITS: mm		SCALE: NTS			
GENERAL TOLERANCES (UNLESS SPECIFIED)		ANGULAR TOL ±		EC NO: 642297	
4 PLACES ±		±		DRWN: TNAKAGAWA01 2020/08/31	
10 ^{UNDER} ±0.2		3 PLACES ±		CHK'D: HSHIMUYAMA 2020/11/30	
10 ^{OVER} 30 ^{UNDER} ±0.25		2 PLACES ±		APPR: SHOSHIKAWA 2020/11/30	
30 ^{OVER} ±0.3		1 PLACE ±		INITIAL REVISION:	
ANGULAR ±3°		0 PLACES ±		DRWN: TNAKAGAWA01 2020/08/31	
DRAFT WHERE APPLICABLE MUST REMAIN WITHIN DIMENSIONS		DRAFT WHERE APPLICABLE MUST REMAIN WITHIN DIMENSIONS		THIRD ANGLE PROJECTION	
DOCUMENT STATUS: P1		RELEASE DATE: 2020/11/30 03:37:50		DRAWING: A3-SIZE	
SERIES: 53885		MATERIAL NUMBER: SEE SHEET 2-4		CUSTOMER: GENERAL	
DOCUMENT NUMBER: 538850000-SD		DOC TYPE: PSD		DOC PART: 000	
REVISION: A		SHEET NUMBER: 1 OF 4			

引き出し方向
PULL OUT DIRECTION



16mm幅キャリアテープ
16mm WIDTH CARRIER TAPE

16	17.4	6.65	53885-0208	20
キャリアテープ幅 CARRIER TAPE WIDTH	D	(A)	EMBOSSED TAPE PACKAGE オーダー番号 ORDER No.	極数 CIRCUITS

THIS DRAWING CONTAINS INFORMATION THAT IS PROPRIETARY TO MOLEX ELECTRONIC TECHNOLOGIES, LLC AND SHOULD NOT BE USED WITHOUT WRITTEN PERMISSION

DIMENSION UNITS	SCALE	CURRENT REV DESC: REDRWAN AND REVISED
mm	NTS	

molex

0.5 MM PITCH B-TO-B CONN.
HEIGHT = 2.5 PLUG EMBOSS TAPE PACKAGE

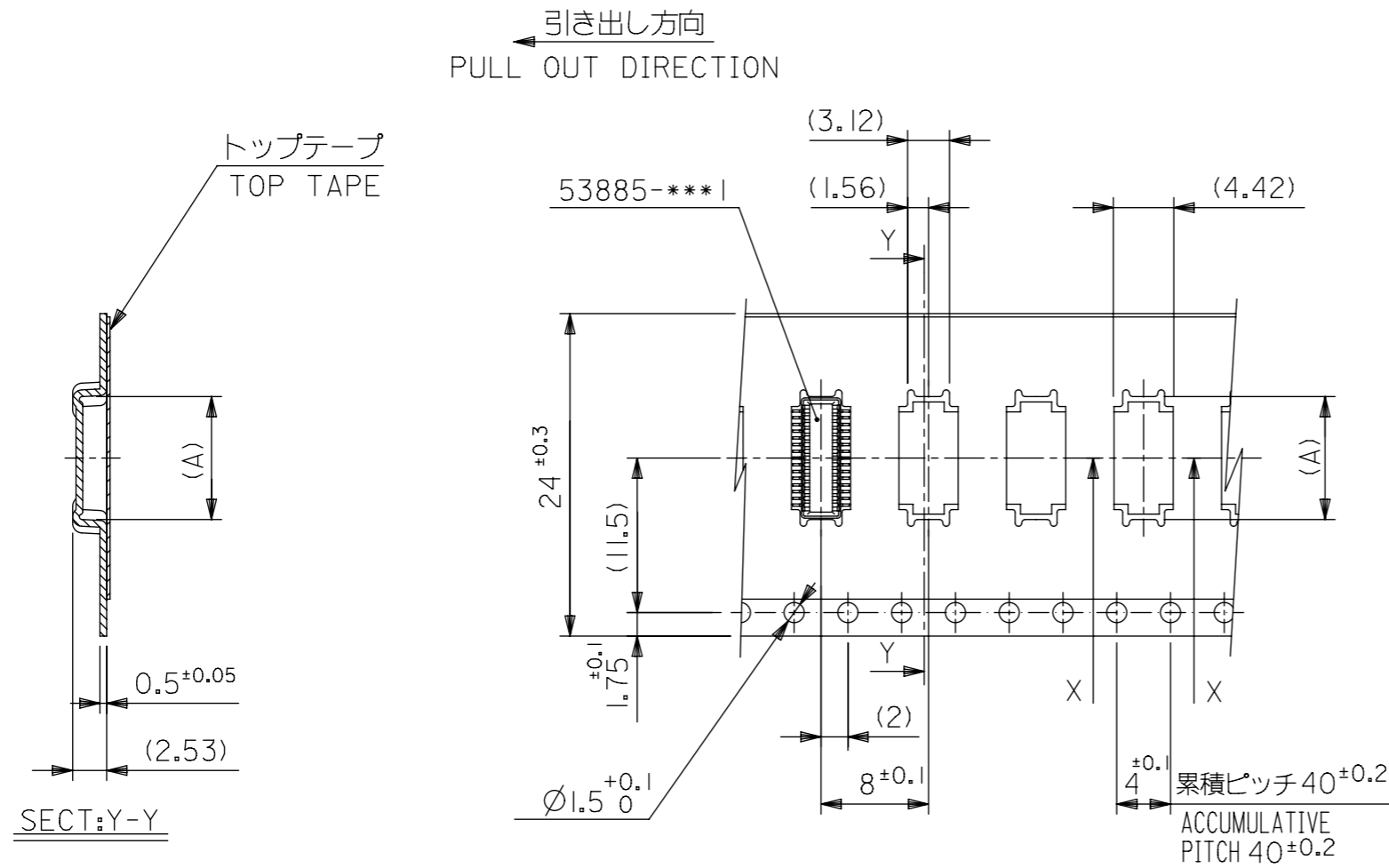
GENERAL TOLERANCES (UNLESS SPECIFIED)	
10 ^{UNDER}	±0.2
10 ^{OVER} 30 ^{UNDER}	±0.25
30 ^{OVER}	±0.3
ANGULAR ±3°	0 PLACES ±

GENERAL TOLERANCES (UNLESS SPECIFIED)	
ANGULAR TOL ±	*
4 PLACES ±	
3 PLACES ±	
2 PLACES ±	
1 PLACE ±	
0 PLACES ±	

EC NO: 642297	2020/08/31
DRWN: TNAKAGAWA01	2020/11/30
CHK'D: HSHIMUYAMA	2020/11/30
APPR: SHOSHIKAWA	2020/11/30
INITIAL REVISION:	
DRWN: TNAKAGAWA01	2020/08/31
APPR: SHOSHIKAWA	2020/11/30

DOCUMENT NUMBER	DOC TYPE	DOC PART	REVISION
538850000-SD	PSD	000	A

DRAFT WHERE APPLICABLE MUST REMAIN WITHIN DIMENSIONS	DRAFT WHERE APPLICABLE MUST REMAIN WITHIN DIMENSIONS	THIRD ANGLE PROJECTION	DRAWING	SERIES	MATERIAL NUMBER	CUSTOMER	SHEET NUMBER
			A3-SIZE	53885	SEE TABLE	GENERAL	2 OF 4

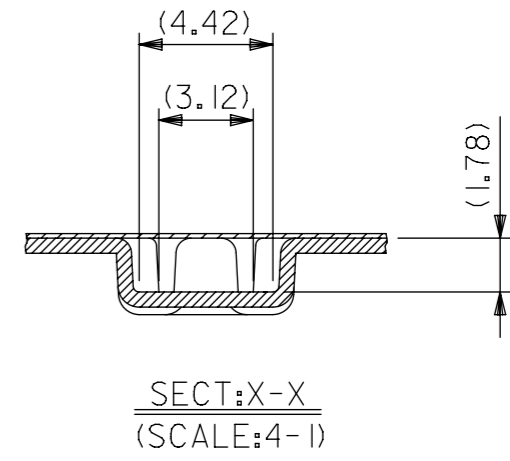
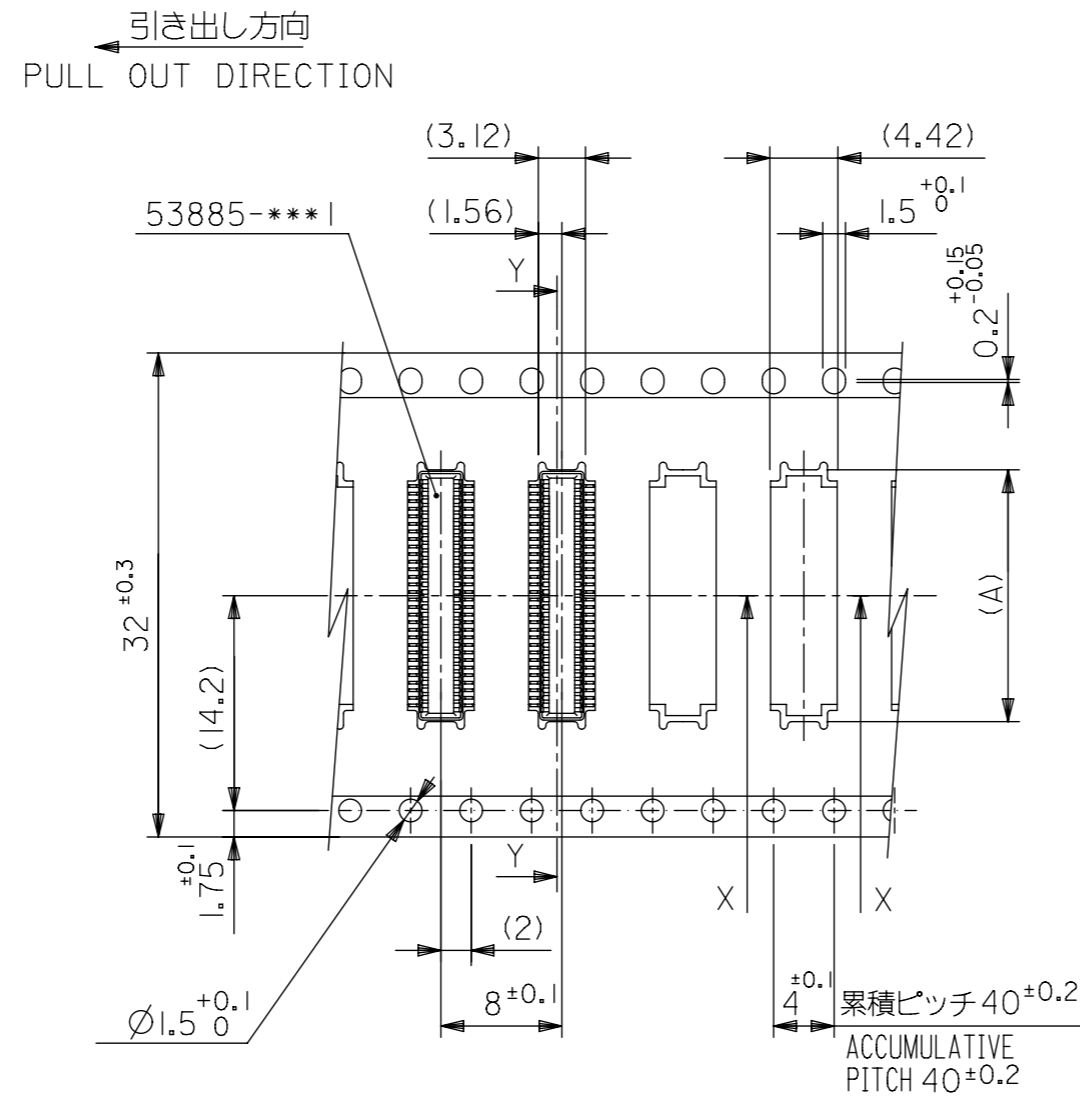
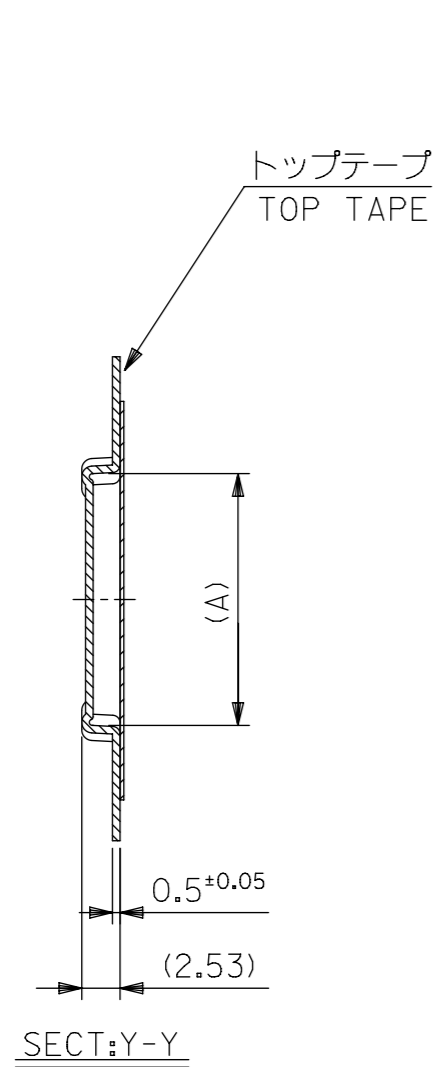


24mm幅キャリアテープ
24mm WIDTH CARRIER TAPE

24	25.4	14.15	53885-0508	50
		11.65	53885-0408	40
		9.15	53885-0308	30
キャリアテープ幅 CARRIER TAPE WIDTH	D	(A)	EMBOSSED TAPE PACKAGE	極数
			オーダー番号 ORDER No.	CIRCUITS

THIS DRAWING CONTAINS INFORMATION THAT IS PROPRIETARY TO MOLEX ELECTRONIC TECHNOLOGIES, LLC AND SHOULD NOT BE USED WITHOUT WRITTEN PERMISSION

DIMENSION UNITS mm	SCALE NTS	CURRENT REV DESC: REDRWAN AND REVISED	
GENERAL TOLERANCES (UNLESS SPECIFIED)		molex 0.5 MM PITCH B-TO-B CONN. HEIGHT = 2.5 PLUG EMBOSS TAPE PACKAGE	
ANGULAR TOL ±			
GENERAL TOLERANCES (UNLESS SPECIFIED)	ANGULAR TOL ±	EC NO: 642297	2020/08/31
10 ^{UNDER}	±0.2	DRWN: TNAKAGAWA01	
10 ^{OVER} 30 ^{UNDER}	±0.25	CHK'D: HSHIMUYAMA	2020/11/30
30 ^{OVER}	±0.3	APPR: SHOSHIKAWA	2020/11/30
ANGULAR ±3°	0 PLACES	INITIAL REVISION:	
DRAFT WHERE APPLICABLE MUST REMAIN WITHIN DIMENSIONS	DRAFT WHERE APPLICABLE MUST REMAIN WITHIN DIMENSIONS	DRWN: TNAKAGAWA01	2020/08/31
		APPR: SHOSHIKAWA	2020/11/30
THIRD ANGLE PROJECTION	DRAWING	SERIES	MATERIAL NUMBER
	A3-SIZE	53885	SEE TABLE
		CUSTOMER	GENERAL
		DOCUMENT NUMBER	538850000-SD
		DOC TYPE	PSD
		DOC PART	000
		REVISION	A
		SHEET NUMBER	3 OF 4



32mm幅キャリアテープ
32mm WIDTH CARRIER TAPE

32	33.4	19.15	53885-0708	70
		16.65	53885-0608	60
キャリアテープ幅 CARRIER TAPE WIDTH	D	(A)	EMBOSSED TAPE PACKAGE オーダー番号 ORDER No.	極数 CIRCUITS

THIS DRAWING CONTAINS INFORMATION THAT IS PROPRIETARY TO MOLEX ELECTRONIC TECHNOLOGIES, LLC AND SHOULD NOT BE USED WITHOUT WRITTEN PERMISSION

CURRENT REV DESC: REDRWAN AND REVISED

molex

0.5 MM PITCH B-TO-B CONN.
HEIGHT = 2.5 PLUG EMBOSS TAPE PACKAGE

PRODUCT CUSTOMER DRAWING

DOCUMENT NUMBER: 538850000-SD
DOC TYPE: PSD
DOC PART: 000
REVISION: A

EC NO: 642297
DRWN: TNAKAGAWA01 2020/08/31
CHK'D: HSHIMYOYAMA 2020/11/30
APPR: SHOSHIKAWA 2020/11/30

INITIAL REVISION:
DRWN: TNAKAGAWA01 2020/08/31
APPR: SHOSHIKAWA 2020/11/30

DIMENSION UNITS: mm SCALE: NTS

GENERAL TOLERANCES (UNLESS SPECIFIED):
ANGULAR TOL ±

GENERAL TOLERANCES (UNLESS SPECIFIED)	ANGULAR TOL ±
10 ^{UNDER} ±0.2	4 PLACES ±
10 ^{OVER} 30 ^{UNDER} ±0.25	3 PLACES ±
30 ^{OVER} ±0.3	2 PLACES ±
ANGULAR ±3°	1 PLACE ±
	0 PLACES ±

DRAFT WHERE APPLICABLE MUST REMAIN WITHIN DIMENSIONS

THIRD ANGLE PROJECTION

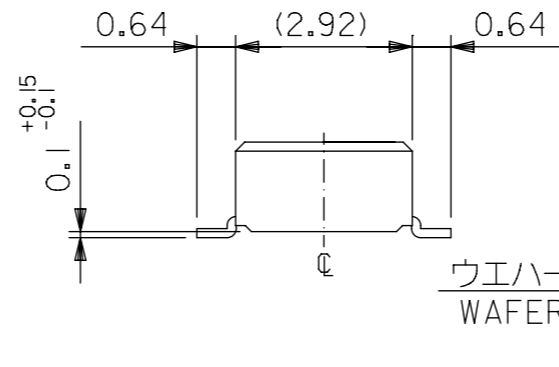
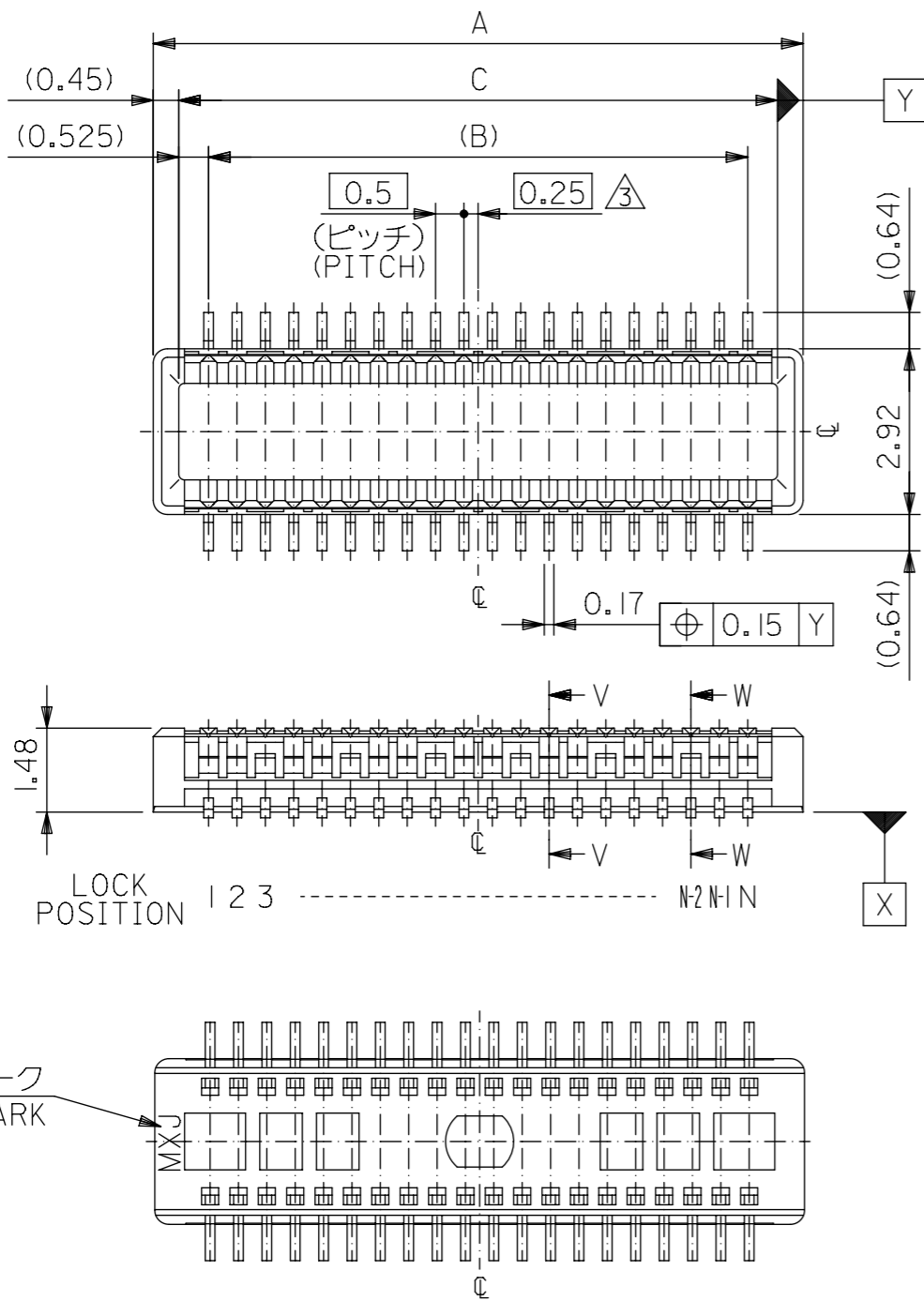
DRAWING: A3-SIZE

SERIES: 53885

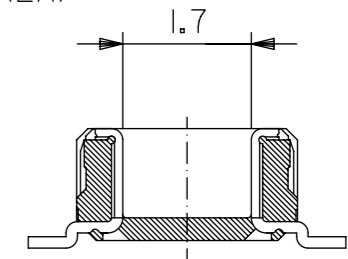
MATERIAL NUMBER: SEE TABLE

CUSTOMER: GENERAL

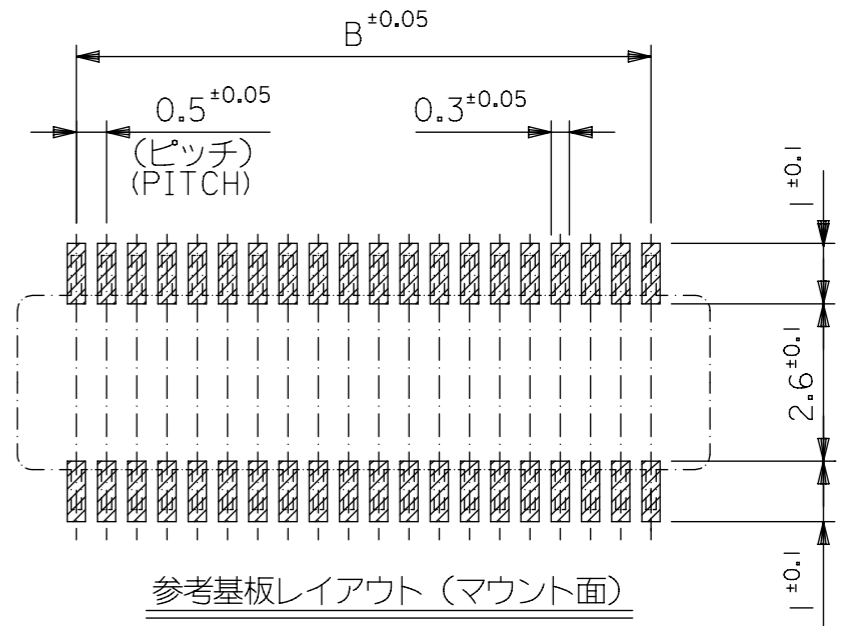
SHEET NUMBER: 4 OF 4



SECT.W-W(LOCK PART)
(SCALE 10:1)

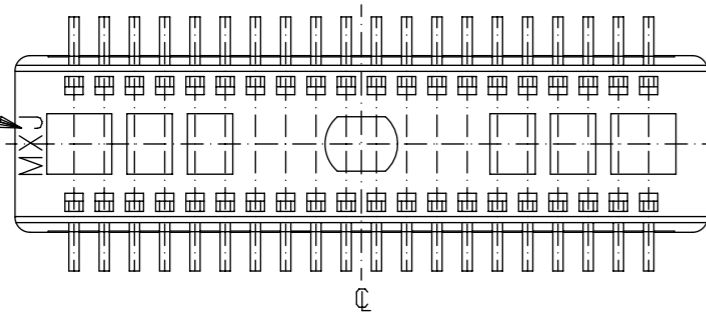


SECT.V-V(W/O LOCK PART)
(SCALE 10:1)



参考基板レイアウト (マウント面)
RECOMMENDED P.C.BOARD
PATTERN DIMENSION. (REF.)
(MOUNTING AREA)

トレードマーク
TRADE MARK



注記 NOTES:

1. 使用材料 MATERIAL

ハウジング : 液晶ポリマ, ガラス充填, UL94V-0, 色 : 黒,
HOUSING: LCP, GLASS FILL, UL94V-0, COLOR: BLACK
ターミナル : 黄銅 (t=0.15)
TERMINAL: BRASS (t=0.15)

2. メッキ仕様 PLATING

金メッキ 0.25 マイクロメートル以上 (コンタクト部)
GOLD(Au) 0.25 MICROMETER MIN.(CONTACT AREA)
金メッキ 0.4 マイクロメートル以下 (テール部)
GOLD(Au) 0.4 MICROMETER MAX.(TAIL AREA)
下地メッキ : ニッケルメッキ 1.5 マイクロメートル以上
UNDER PLATING : NICKEL 1.5 MICROMETER MIN.

- 3 (全極数/2) = 偶数の場合に適用。
APPLY FOR (CIRCUIT/2)=EVEN.
4. 嵌合相手 : 54102 シリーズ (嵌合高さ = 2.5mm)
MATE WITH: 54102 SERIES (HEIGHT = 2.5mm)
5. テール平坦度は、0.1MAX.
TAIL COPLANARITY TO BE 0.1MAX.

NONE	18.05	17.0	18.95	53885-0708	70
10, 21	15.55	14.5	16.45	53885-0608	60
4, 10, 16, 22	13.05	12.0	13.95	53885-0508	50
3, 6, 9, 12, 15, 18	10.55	9.5	11.45	53885-0408	40
1, 3, 5, 7, 9, 11, 13, 15	8.05	7.0	8.95	53885-0308	30
ALL	5.55	4.5	6.45	53885-0208	20
LOCK POSITION	C	B	A	EMBOSSED PACKAGE	極数
				オーダー番号 ORDER No.	CIRCUIT

CONNECTOR SERIES No. 53885-***1

GENERAL TOLERANCES (UNLESS SPECIFIED)		DIMENSION UNITS		SCALE		THIS DRAWING CONTAINS INFORMATION THAT IS PROPRIETARY TO MOLEX ELECTRONIC TECHNOLOGIES, LLC AND SHOULD NOT BE USED WITHOUT WRITTEN PERMISSION	
10 ^{UNDER}	±0.2	mm	8:1	CURRENT REV DESC: REDRWAN AND REVISED			
10 ^{OVER} 30 ^{UNDER}	±0.25	GENERAL TOLERANCES (UNLESS SPECIFIED)		EC NO: 642297			
30 ^{OVER}	±0.3	ANGULAR TOL ±		DRWN: TNAKAGAWA01 2020/08/31			
DRAFT WHERE APPLICABLE MUST REMAIN WITHIN DIMENSIONS		DRAFT WHERE APPLICABLE MUST REMAIN WITHIN DIMENSIONS		4 PLACES ±		CHK'D: HSHIMOYAMA 2020/11/30	
		ANGULAR+3°		3 PLACES ±		APPR: SHOSHIKAWA 2020/11/30	
		0 PLACES ±		INITIAL REVISION:		DRWN: TNAKAGAWA01 2020/08/31	
		THIRD ANGLE PROJECTION		DRAWING		APPR: SHOSHIKAWA 2020/11/30	
		DRAWING		SERIES		DOCUMENT NUMBER	
		A3-SIZE		53885		538851000-SD	
		MATERIAL NUMBER		CUSTOMER		DOC TYPE DOC PART REVISION	
		SEE TABLE		GENERAL		PSD 001 A	
		SHEET NUMBER		1 OF 2			

10

9

8

7

6

5

4

3

2

1

F

F

E

E

D

D

C

C

B

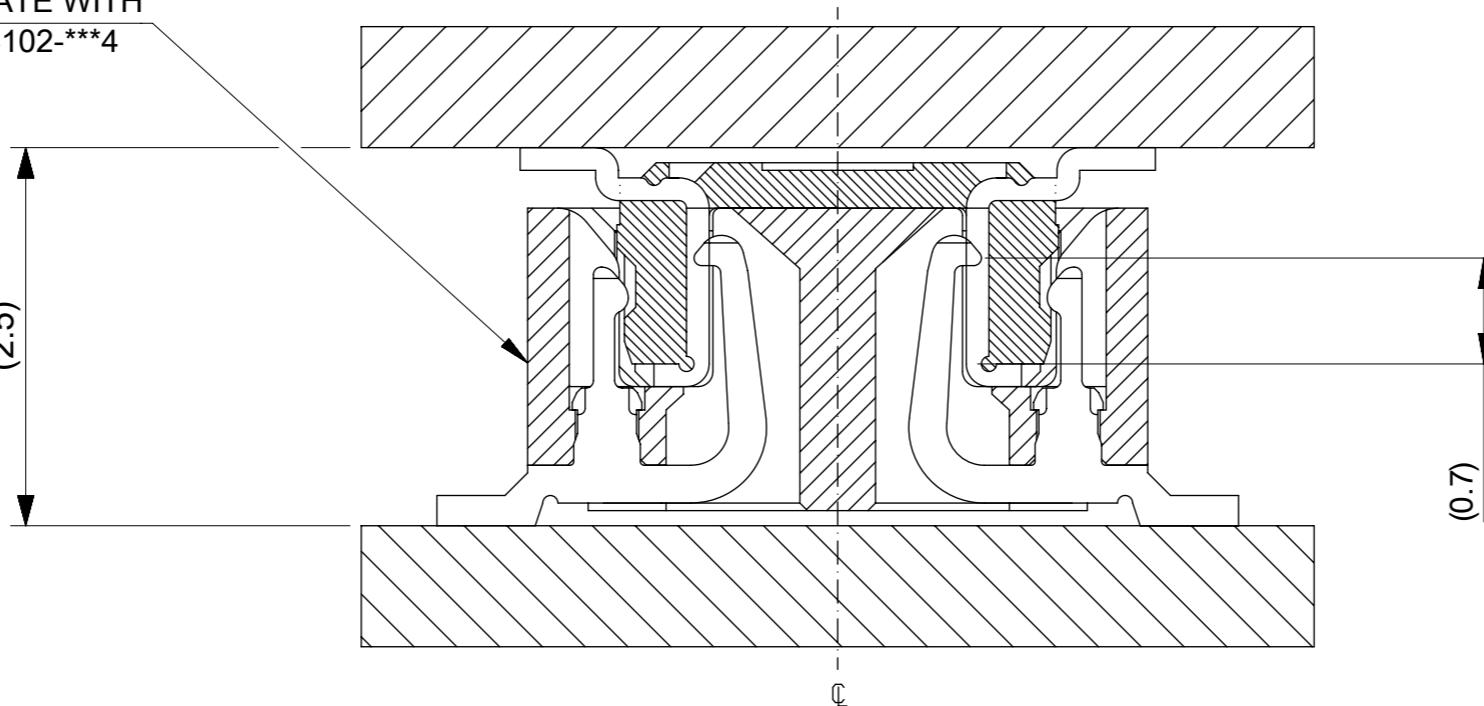
B

A

A

嵌合相手
MATE WITH
54102-***4

(2.5)



(0.7)
有効嵌合長
MATING
LENGTH

嵌合断面図 (参考)
MATED DRAWING (REF.)

THIS DRAWING CONTAINS INFORMATION THAT IS PROPRIETARY TO MOLEX ELECTRONIC TECHNOLOGIES, LLC AND SHOULD NOT BE USED WITHOUT WRITTEN PERMISSION

DIMENSION UNITS	SCALE	CURRENT REV DESC: REDRWAN AND REVISED		
mm	20:1	molex 0.5 MM PITCH B-TO-B CONN. HEIGHT = 2.5 PLUG		
GENERAL TOLERANCES (UNLESS SPECIFIED)				
GENERAL TOLERANCES (UNLESS SPECIFIED)		PRODUCT CUSTOMER DRAWING		
ANGULAR TOL ±		INITIAL REVISION:		
4 PLACES ±	*	DRWN: TNAKAGAWA01 2020/08/31		
3 PLACES ±	*	APPR: SHOSHIKAWA 2020/11/30		
2 PLACES ±	*	DOCUMENT NUMBER		
1 PLACE ±	*	538851000-SD		
0 PLACES ±	*	DOC TYPE	DOC PART	REVISION
DRAFT WHERE APPLICABLE MUST REMAIN WITHIN DIMENSIONS		PSD	001	A
DRAFT WHERE APPLICABLE MUST REMAIN WITHIN DIMENSIONS		SHEET NUMBER		
THIRD ANGLE PROJECTION		2 OF 2		
DRAWING		MATERIAL NUMBER		
A3-SIZE		SEE SHEET 1		
SERIES		CUSTOMER		
53885		GENERAL		

DOCUMENT STATUS	P1	RELEASE DATE	2020/11/30	03:37:51
-----------------	----	--------------	------------	----------

9

8

7

6

5

4

3

2

1

FORMAT: master-b-prod-A3

REVISION: J

DATE: 2020/11/14