

**Ratings**

Voltage: 300 V  
 Temperature: -40~105 °C  
 Flammability: VW-1

**Conductor**

Conductor count: 9  
 Gauge: 20 AWG 0.52 mm<sup>2</sup>  
 Material: tinned copper strands  
 Strand size:  $\phi 0.127 \times 41$   
 Resistance at 20 °C: 36.7  $\Omega$  /km max

**Insulator**

Material: FEP  
 Color: red, black, white, yellow, blue, green, orange, purple, gray  
 Diameter:  $\phi 1.25 \pm 0.10$   
 Nominal thickness: 0.13 mm  
 Resistance at 20 °C: 10 M $\Omega$  /km min

**Filler**

Material: aramid fiber

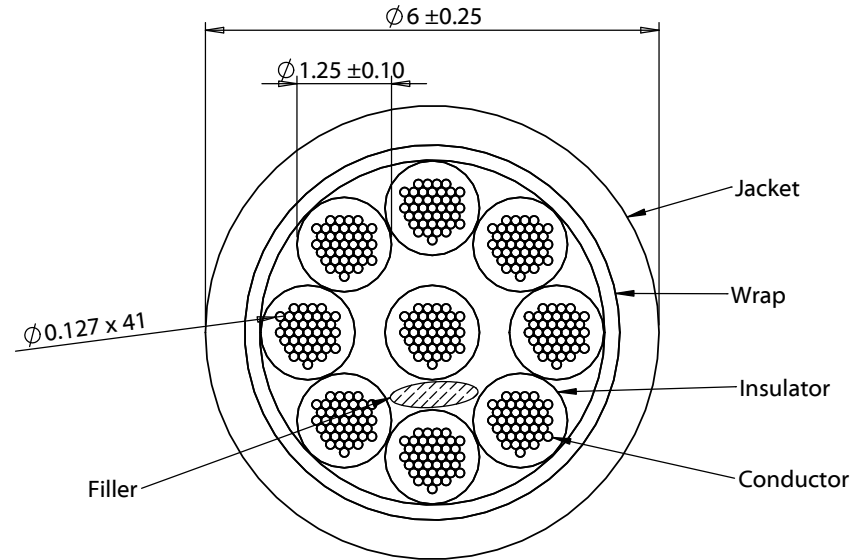
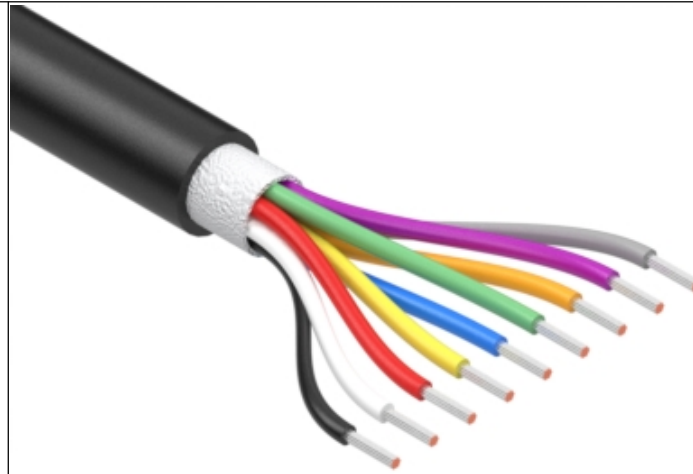
**Wrap**

Material: cotton paper

**Outer jacket**

Material: TPE  
 Color: black  
 Diameter:  $\phi 6 \pm 0.25$   
 Nominal thickness: 0.6 mm

**Wire marking:** E339579 UL AWM STYLE 21296 20 AWG 105°C 300V VW-1 --- cUL AWM I A 105°C 300V FT1 TENSILITY DGT



Revision:	Date:	Description:
A	4/28/2021	Initial release

Prepared:  
**AW**  
Digitally signed by AW  
 Date: 2021.04.28  
 17:10:07 -07'00'

Verified:  
**JC**  
Digitally signed by JC  
 Date: 2021.05.05  
 11:00:42 -07'00'

Dimensions are in millimeters.  
 Tolerances:  
 X:  $\pm 0.5$  mm  
 X.X:  $\pm 0.3$  mm  
 X.XX:  $\pm 0.05$  mm

Notes:  
 RoHS compliant  
 Phthalate free  
 Function test: no open, no short circuit, no intermittent

Description:  
 Wire, 9C TS, 20 AWG, UL 21296, 300V, 105C, 6.0 mm, TPE

**TENSILITY**

tel 1.541.323.3228 800 877.670.7118  
 fax 1.541.323.4202 web tensility.com

Size:	Part number:
A	<b>30-01957</b>
Scale: 10:1	Sheet 1 of 1