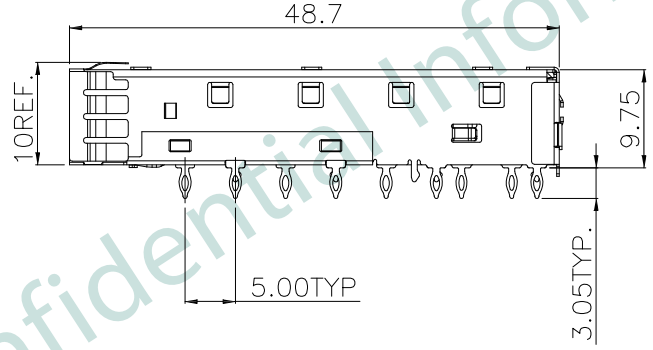
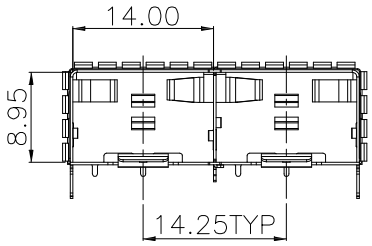
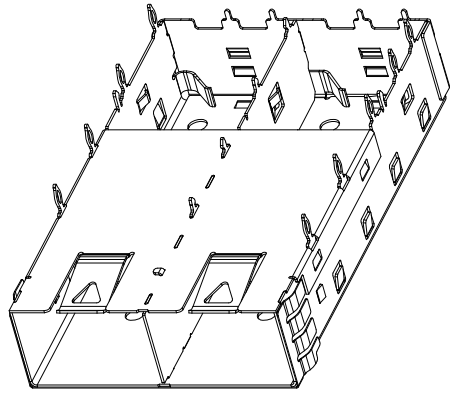
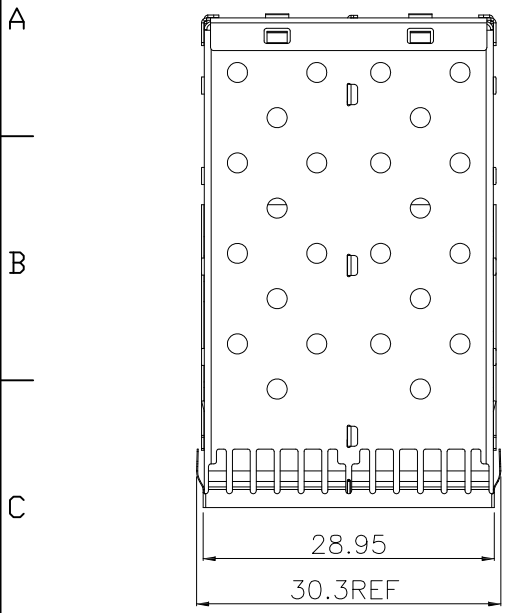


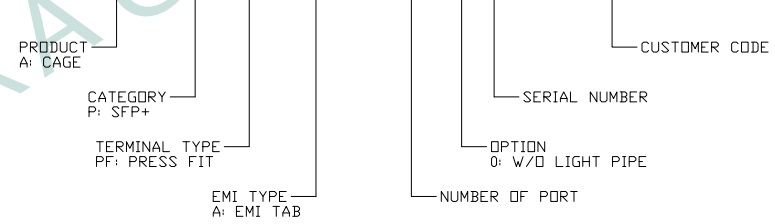
REV.	DATE	DESCRIPTION
01	Mar. 11, '19	1st RELEASE

NOTES:
1. CAGE: COPPER ALLOY

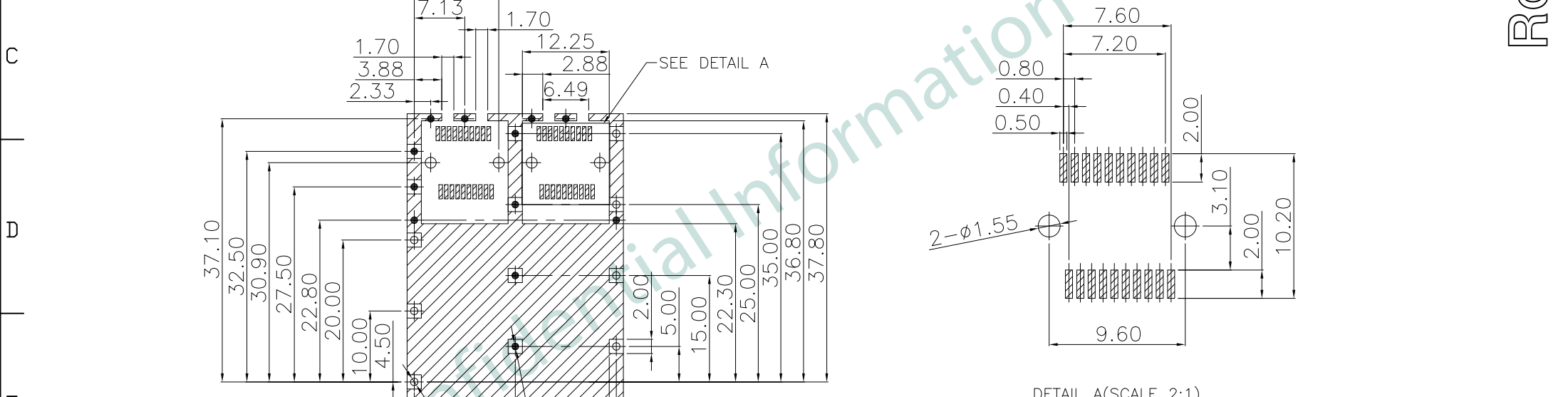
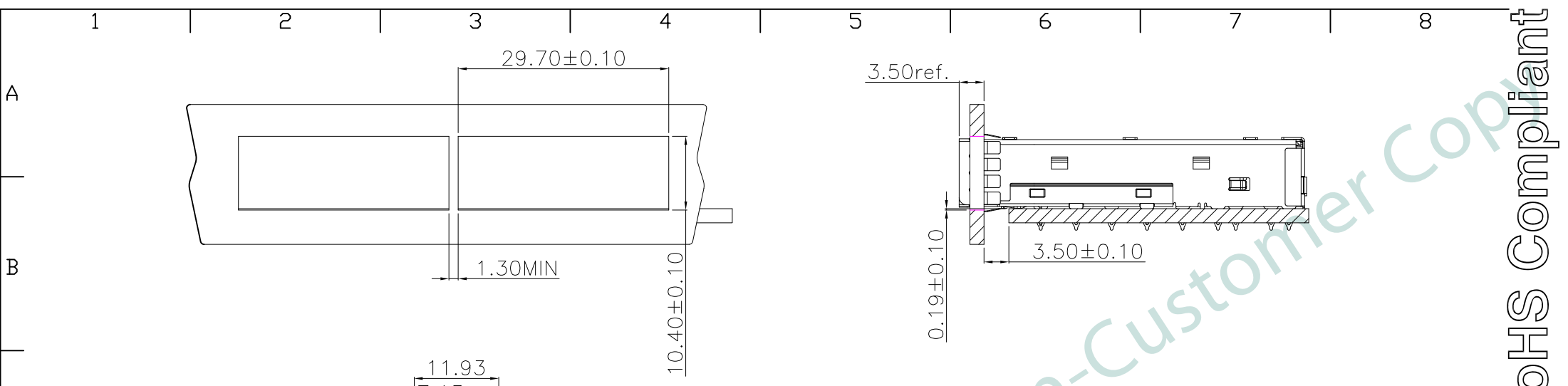
2. UNSPECIFIED TOLERANCE: .XXX ±0.15
.XX ±0.25



KSFP-A-PPFA-0201-XXX



PART NO		KSFP-A-PPFA-0201-XXX		
TITLE	SFP+ CAGE, EMI TAB, PRESS FIT TYPE			
REV : 01				
UNIT	DRAWN	CHKD	DATE	SHEET
mm[inch]	CINDY	VINCENT	Mar. 11, '19	1 of 2



CROSS-HATCHED AREA DENOTES COMPONENT AND TRACE KEEP-OUT

RECOMMENDED PCB LAYOUT (COMPONENT SIDE)
PCB TOLERANCE: ±0.05

□ ● ● ROUND HOLE IS THROUGH HOLE

DETAIL A (SCALE 2:1)

PART NO		KSFP-A-PPFA-0201-XXX		
TITLE	SFP+ CAGE, EMI TAB, PRESS FIT TYPE			
REV : 01				
UNIT	DRAWN	CHKD	DATE	SHEET
mm[inch]	CINDY	VINCENT	Mar. 11, '19	2 of 2