

- 1
- 2
- 3
- 4
- 5
- 6
- 7
- 8
- 9
- 10
- 11
- 12
- 13
- 14
- 15
- 16
- 17
- 18

**MATERIAL**

Glass-fibre reinforced polyamide based (PA) technopolymer, resistant to high temperatures, grey-black colour, matte finish.

**STANDARD EXECUTION**

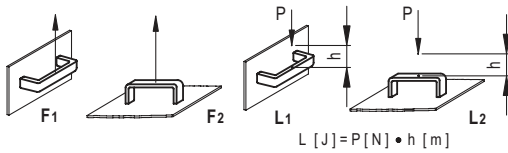
Brass bosses, threaded blind holes.

**MAX. WORKING TEMPERATURE**

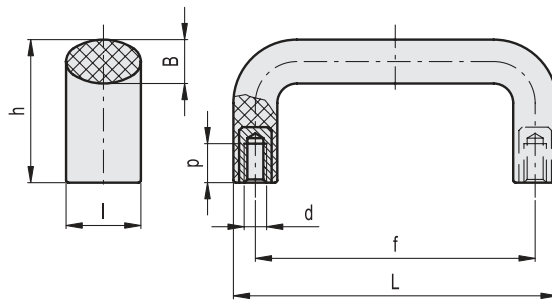
200°C.

**TECHNICAL DATA**

Tensile stress and impact strength: F1, F2, L1 and L2 values reported in the table are the result of breaking tests carried out with the appropriate dynamometric equipment under the test conditions shown in the figure with ambient temperature.



ELESA Original design



**Conversion Table**  
1 mm = 0.039 inch

mm	inch
100	3.90
134	5.23
196	7.64

METRIC

Code	Description	L	l	f	d6H	h	B	p	F1 [N]	F2 [N]	L1 [J]	L2 [J]	Δ
37502	M.643/100 B-M6 HT	100	23	86±1	M6	44	14	12	2400	2400	12	6	59
37510	M.643/140 B-M6 HT	134	25	117±1	M6	49	15	12	2500	3400	8	12	85
37511	M.643/140 B-M8 HT	134	25	117±1	M8	49	15	13	2500	3400	8	12	87
37551	M.643/200 B-M8 HT	196	27	179±1	M8	57	16	13	1900	2600	11	17	132