

AN-1491 LM3880 Power Sequencer Demo Board

1 Introduction

The LM3880 evaluation board has been designed to permit the designer to connect it directly to the power supplies of an existing system to enable sequencing. Upon enabling the device the three open drain output flags will rise in sequential order, 1-2-3. Once the part is disabled, the shutdown sequence will occur in reverse order 3-2-1. Therefore the last power supply that started up, will be the first to shutdown. The evaluation board contains the LM3880MF-1-AB device which has been factory set, so that each time delay between flags will be 30ms. Several different timing options are available as standard off the shelf parts, but if a custom timing or shutdown sequence is needed please contact Texas Instruments. The LM3880 has an internal EPROM that can be factory programmed to allow almost any sequencing combination to occur. For programming possibilities, see [LM3880/LM3880Q Power Sequencer \(SNVS451\)](#).

2 Timing Sequence

The LM3880 demo board timing sequence of the output flags is shown in [Figure 1](#).

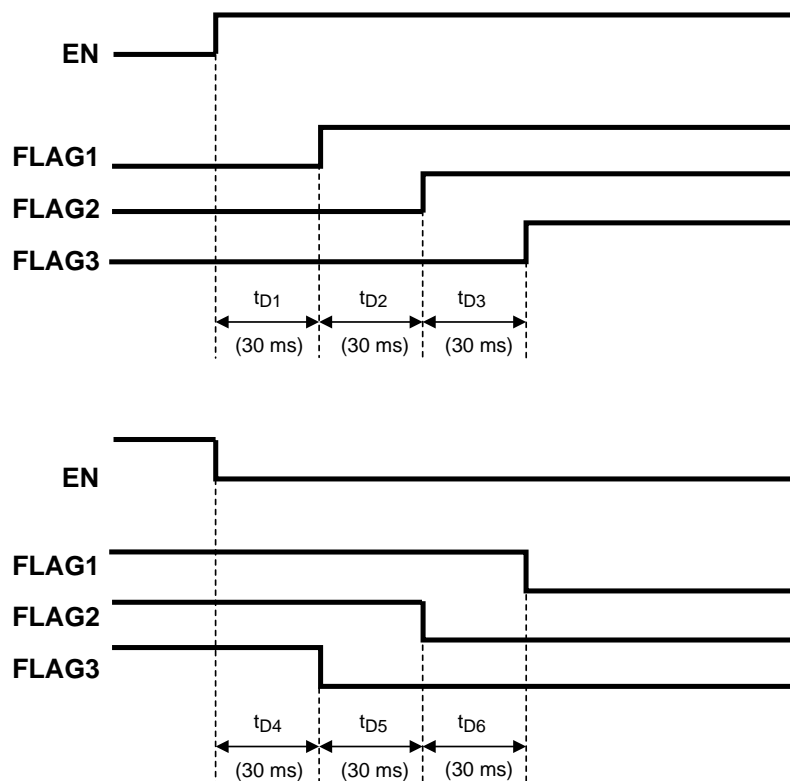


Figure 1. Timing Sequence

3 Schematic

The LM3880 demo board has been designed with the pullup resistors on board to permit connection to an enable pin of a switcher. The demo board can accommodate an input voltage from +2.7V to +5.5V.

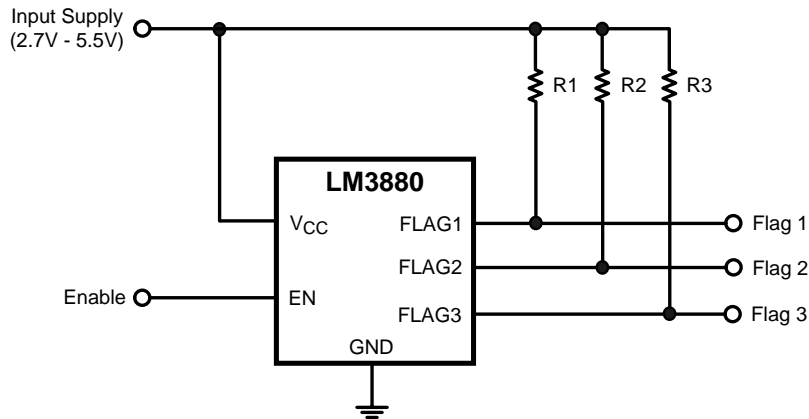


Figure 2. Schematic

4 Bill of Materials

Designator	Description	Part #	Quantity	Manufacturer
U1	LM3880, Sequence 1, 30ms timing	LM3880	1	Texas Instruments
R1	100K Resistor, 0603	CRCW0603100KFKEA	1	Vishay
R2	100K Resistor, 0603	CRCW0603100KFKEA	1	Vishay
R3	100K Resistor, 0603	CRCW0603100KFKEA	1	Vishay

5 Pin-Out

The pin-out and pin description of the LM3880 is shown in [Figure 3](#) and in [Table 1](#).

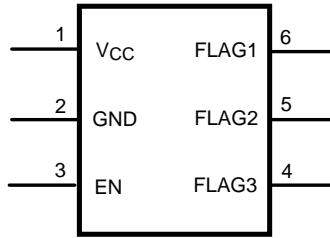


Figure 3. Pin-Out

Table 1. Pin Descriptions

Pin #	Name	Function
1	VCC	Input supply
2	GND	Ground
3	EN	Precision enable pin
4	FLAG3	Open drain output #3
5	FLAG2	Open drain output #2
6	FLAG1	Open drain output #1

6 Layout

The demo board layout is based on a small 0.8" x 1.0" FR4 demo board with 2 layers of copper. The actual layout can be seen below. When looking at the board, pin 1 on the LM3880 is the top left.

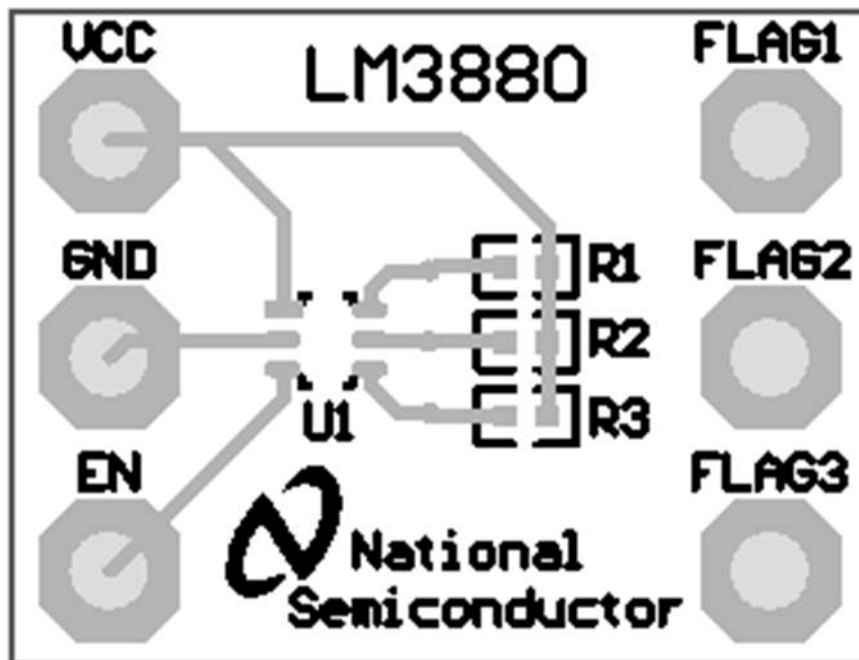


Figure 4. LM3880 Top Layer

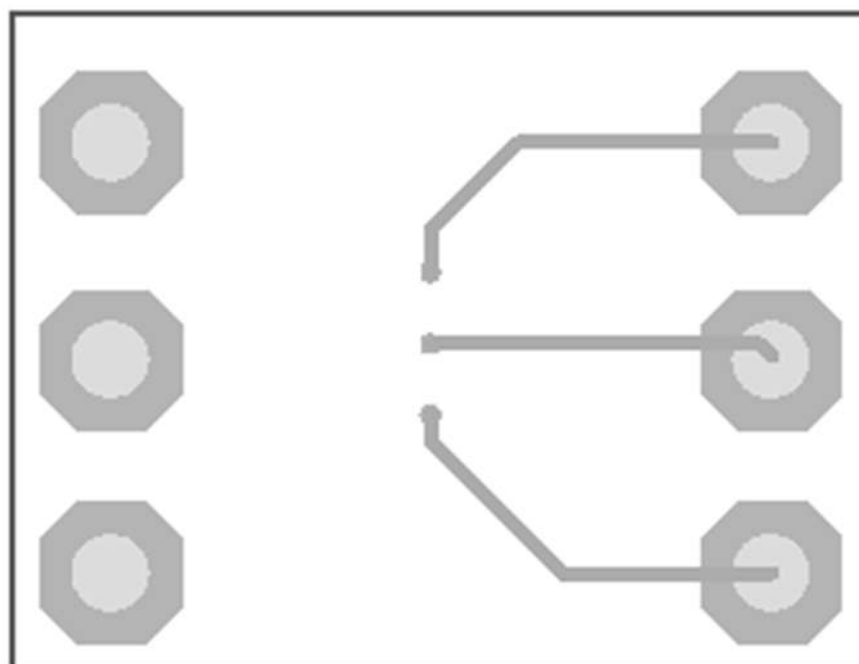


Figure 5. LM3880 Bottom Layer

IMPORTANT NOTICE

Texas Instruments Incorporated and its subsidiaries (TI) reserve the right to make corrections, enhancements, improvements and other changes to its semiconductor products and services per JESD46, latest issue, and to discontinue any product or service per JESD48, latest issue. Buyers should obtain the latest relevant information before placing orders and should verify that such information is current and complete. All semiconductor products (also referred to herein as "components") are sold subject to TI's terms and conditions of sale supplied at the time of order acknowledgment.

TI warrants performance of its components to the specifications applicable at the time of sale, in accordance with the warranty in TI's terms and conditions of sale of semiconductor products. Testing and other quality control techniques are used to the extent TI deems necessary to support this warranty. Except where mandated by applicable law, testing of all parameters of each component is not necessarily performed.

TI assumes no liability for applications assistance or the design of Buyers' products. Buyers are responsible for their products and applications using TI components. To minimize the risks associated with Buyers' products and applications, Buyers should provide adequate design and operating safeguards.

TI does not warrant or represent that any license, either express or implied, is granted under any patent right, copyright, mask work right, or other intellectual property right relating to any combination, machine, or process in which TI components or services are used. Information published by TI regarding third-party products or services does not constitute a license to use such products or services or a warranty or endorsement thereof. Use of such information may require a license from a third party under the patents or other intellectual property of the third party, or a license from TI under the patents or other intellectual property of TI.

Reproduction of significant portions of TI information in TI data books or data sheets is permissible only if reproduction is without alteration and is accompanied by all associated warranties, conditions, limitations, and notices. TI is not responsible or liable for such altered documentation. Information of third parties may be subject to additional restrictions.

Resale of TI components or services with statements different from or beyond the parameters stated by TI for that component or service voids all express and any implied warranties for the associated TI component or service and is an unfair and deceptive business practice. TI is not responsible or liable for any such statements.

Buyer acknowledges and agrees that it is solely responsible for compliance with all legal, regulatory and safety-related requirements concerning its products, and any use of TI components in its applications, notwithstanding any applications-related information or support that may be provided by TI. Buyer represents and agrees that it has all the necessary expertise to create and implement safeguards which anticipate dangerous consequences of failures, monitor failures and their consequences, lessen the likelihood of failures that might cause harm and take appropriate remedial actions. Buyer will fully indemnify TI and its representatives against any damages arising out of the use of any TI components in safety-critical applications.

In some cases, TI components may be promoted specifically to facilitate safety-related applications. With such components, TI's goal is to help enable customers to design and create their own end-product solutions that meet applicable functional safety standards and requirements. Nonetheless, such components are subject to these terms.

No TI components are authorized for use in FDA Class III (or similar life-critical medical equipment) unless authorized officers of the parties have executed a special agreement specifically governing such use.

Only those TI components which TI has specifically designated as military grade or "enhanced plastic" are designed and intended for use in military/aerospace applications or environments. Buyer acknowledges and agrees that any military or aerospace use of TI components which have **not** been so designated is solely at the Buyer's risk, and that Buyer is solely responsible for compliance with all legal and regulatory requirements in connection with such use.

TI has specifically designated certain components as meeting ISO/TS16949 requirements, mainly for automotive use. In any case of use of non-designated products, TI will not be responsible for any failure to meet ISO/TS16949.

Products

Audio	www.ti.com/audio
Amplifiers	amplifier.ti.com
Data Converters	dataconverter.ti.com
DLP® Products	www.dlp.com
DSP	dsp.ti.com
Clocks and Timers	www.ti.com/clocks
Interface	interface.ti.com
Logic	logic.ti.com
Power Mgmt	power.ti.com
Microcontrollers	microcontroller.ti.com
RFID	www.ti-rfid.com
OMAP Applications Processors	www.ti.com/omap
Wireless Connectivity	www.ti.com/wirelessconnectivity

Applications

Automotive and Transportation	www.ti.com/automotive
Communications and Telecom	www.ti.com/communications
Computers and Peripherals	www.ti.com/computers
Consumer Electronics	www.ti.com/consumer-apps
Energy and Lighting	www.ti.com/energy
Industrial	www.ti.com/industrial
Medical	www.ti.com/medical
Security	www.ti.com/security
Space, Avionics and Defense	www.ti.com/space-avionics-defense
Video and Imaging	www.ti.com/video

TI E2E Community

e2e.ti.com