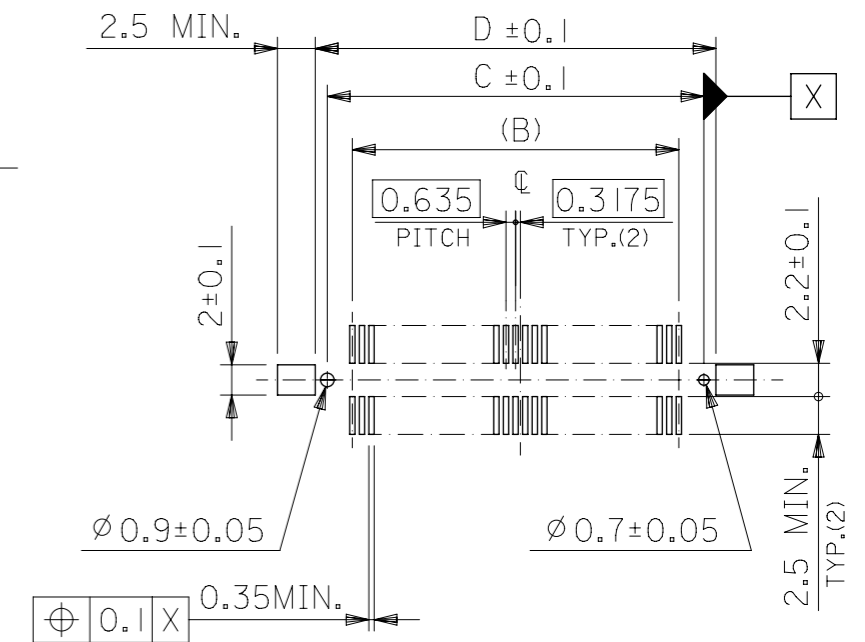
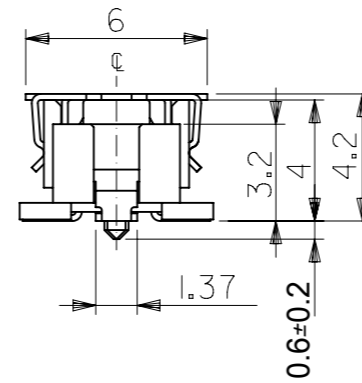


半田付け部詳細図
DETAIL FOR SOLDERING AREA



推奨基板寸法
RECOMMENDED PCB PATTERN LAYOUT
(SCALE:2-1)

注記
NOTES:

1. 材質
MATERIAL
ハウジング: LCP (液晶ポリマー)、ガラス充填、白色、UL94V-0
HOUSING: LCP (LIQUID CRYSTAL POLYMER), GLASS FILLED, WHITE, UL94V-0
ターミナル: 銅合金 (t=0.2)
TERMINAL: COPPER ALLOY (t=0.2)
ネイル: 銅合金 (t=0.25)
FITTING NAIL: COPPER ALLOY (t=0.25)
吸着カバー: ステンレス (t=0.2)
VACUUM COVER: STAINLESS STEEL (t=0.2)

2. メッキ仕様
PLATING
ターミナル
TERMINAL
接点部: 金メッキ 0.76マイクロメートル以上
CONTACT AREA: GOLD 0.76 MICROMETER MINIMUM
テール: 錫メッキ 1.0マイクロメートル以上
SOLDER TAIL AREA: TIN 1.0 MICROMETER MINIMUM
下地メッキ: ニッケルメッキ 1.5マイクロメートル以上
UNDER PLATING: NICKEL 1.5 MICROMETER MINIMUM
ネイル
NAIL
錫メッキ 1.0マイクロメートル以上
TIN 1.0 MICROMETER MINIMUM
下地メッキ: ニッケルメッキ 1.0マイクロメートル以上
UNDER PLATING: NICKEL 1.0 MICROMETER MINIMUM

3. テールのバラツキ寸法
TAIL COPLANARITY
テール平坦度は、0.1ミリメートル以下。
TAIL COPLANARITY TO BE 0.1 MAXIMUM.

4. ELV AND RoHS COMPLIANT

WITH HSG LOCK	20.15	18.545	15.24	23.745	500596-0574	50
	D	C	B	A	EMBOSSED TAPE PACKAGE	極数
					オーダー番号 ORDER NO.	CIRCUITS

CONNECTOR SERIES No. : 500596-**72

GENERAL TOLERANCES (UNLESS SPECIFIED)			DIMENSION UNITS		SCALE		THIS DRAWING CONTAINS INFORMATION THAT IS PROPRIETARY TO MOLEX ELECTRONIC TECHNOLOGIES, LLC AND SHOULD NOT BE USED WITHOUT WRITTEN PERMISSION									
0.25 UNDER	UNDER	±0.03	mm	5:1	CURRENT REV DESC: REACTIVATED DRAWING											
0.25 OVER	0.5 UNDER	±0.05	GENERAL TOLERANCES (UNLESS SPECIFIED)		EC NO: 641232											
0.5 OVER	1.0 UNDER	±0.1	MM	INCH	DRWN: AKUMAR19 2020/07/10		0.635 B/B CONN. REC. HSG COVER ASSY									
1.0 OVER	10 UNDER	±0.2	4 PLACES ±	±	CHK'D: GGA 2020/07/14		PRODUCT CUSTOMER DRAWING									
10 OVER	30 UNDER	±0.25	3 PLACES ±	±	APPR: GGA 2020/07/14		DOCUMENT NUMBER									
30 OVER		±0.3	2 PLACES ±	±	INITIAL REVISION:		SD-500596-012									
			1 PLACE ±	±	DRWN: KTOYODA 2011/03/09		DOC TYPE DOC PART REVISION									
			0 PLACES ±	±	APPR: MSASAO 2011/03/16		PSD 001 C									
DRAFT WHERE APPLICABLE MUST REMAIN WITHIN DIMENSIONS			ANGULAR TOL ± 3.0°		THIRD ANGLE PROJECTION		DRAWING		SERIES		MATERIAL NUMBER		CUSTOMER		SHEET NUMBER	
							A3-SIZE		500596		SEE TABLE		GENERAL MARKET		1 OF 1	