

6

5

4

3

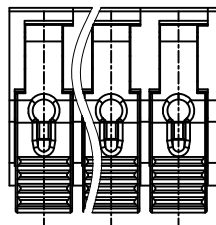
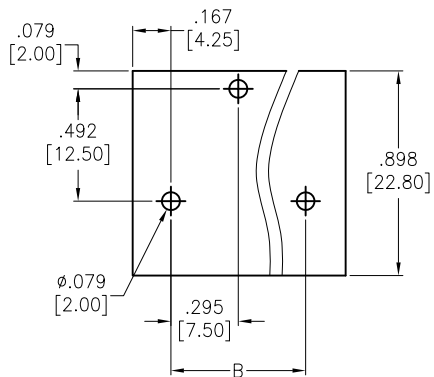
2

1

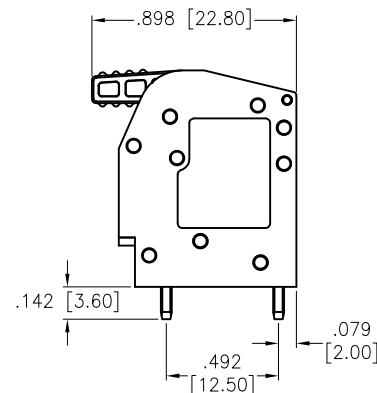
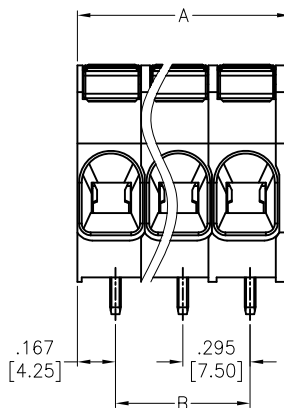
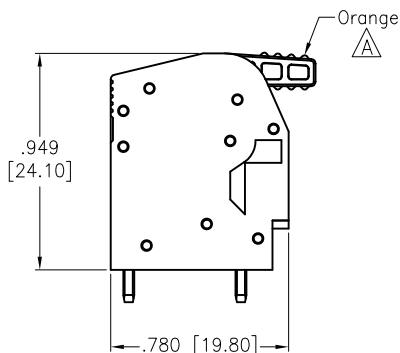
APPROVED: _____

DATE: _____ TITLE: _____

Rev	AWO #	Description	Date	Appr
-		RELEASED	10/11/18	
A		ADDED SPEC.	3/2/20	OW/RC



RECOMMENDED PCB LAYOUT



SPECIFICATIONS:

Material:

Insulator: PA, rated UL 94V-0

Insulator color: Green

Pin Header: Copper Alloy, Tin plated

Electrical:

Voltage rating: 600 V

Current rating: 27 A

Dielectric withstanding voltage: 2,200 V for 1 minute

Mechanical:

Wire range: 24~10AWG

Wire strip length: 15-16mm

Temperature Rating:

-40°C to +105°C

Environmental:

Lead free, RoHS compliant.



Positions: 02 thru 16

A= .295 [7.50] x No. of Positions + .047 [1.20]

B= .295 [7.50] x No. of Space

UNLESS OTHERWISE SPECIFIED
 ALL DIMENSIONS ARE INCHES [MM]
 TOLERANCES: EXCEPT AS NOTED

.X	± .10	∅.X	± .10
.XX	± .020	∅.XX	± .015
.XXX	± .015	∅.XXX	± .010

ADAM TECH
INTERCONNECTS

909 Rahway Avenue,
 Union, NJ 07083
 Phone: 908-687-5000
 Fax: 908-687-5710

APPROVALS		DATE
DRAWN	HR	10/11/18
CHECKED	DH	10/11/18
APPROVED		

TITLE .295 [7.50] PITCH SPRING CLAMP TERMINAL BLOCKS, RIGHT ANGLE		
SIZE X	PART NO. EB171A-XX-M	REV. A
REF: S00067C	SCALE: NTS	SHEET 1 OF 1

6

5

4

3

2

1