

172774-1 ✓ ACTIVE

AMP | Multilock Connector System

TE Internal #: 172774-1

Automotive Terminals, Receptacle, Mating Tab Width 3 mm [.118 in], Tab Thickness .65 mm [.025 in], 20 – 14 AWG Wire Size, Multilock Connector System

[View on TE.com >](#)



Terminals & Splices > Automotive Terminals > MULTILOCK, RECEPTACLE AND TAB



Terminal Type: **Receptacle**

Mating Tab Width: **3 mm [.118 in]**

Mating Tab Thickness: **.65 mm [.025 in]**

Terminal Transmits: **0 – 24 A (Low Power)**

Wire Size: **20 – 14 AWG**

[All MULTILOCK, RECEPTACLE AND TAB \(136\)](#)

Features

Product Type Features

| | |
|-------------------------|------------|
| Receptacle Style | 180° |
| Sealable | No |
| Primary Locking Feature | Clean Body |

Contact Features

| | |
|--|------------------|
| Contact Size | 3mm |
| Contact Fabrication | Stamped & Formed |
| Wire Contact Termination Area Plating Material | Tin |
| Crimp Type | F-Crimp |
| Terminal Type | Receptacle |
| Mating Tab Width | 3 mm [.118 in] |
| Mating Tab Thickness | .65 mm [.025 in] |
| Interface Plating | Tin (Sn) |

Termination Features

| | |
|------------------------------------|-------|
| Termination Method to Wire & Cable | Crimp |
| Product Terminates To | Wire |

Dimensions



| | |
|--------------------------------------|--|
| Compatible Insulation Diameter Range | 2.1 – 3.38 mm [.082 – .133 in] |
| Wire Size | .5 – 2 mm ² |
| Wire Size Search | 14 AWG, 15 AWG, 16 AWG, 17 AWG, 18 AWG, 19 AWG, 20 AWG |

Usage Conditions

| | |
|-----------------------------|---|
| Insulation Option | Uninsulated |
| Operating Temperature (Max) | 80 °C, 85 °C, 90 °C, 100 °C, 105 °C [176 °F] [185 °F][194 °F][212 °F][221 °F] |
| Operating Temperature Range | -30 – 105 °C [-22 – 221 °F] |

Packaging Features

| | |
|--------------------|------|
| Packaging Quantity | 1000 |
| Packaging Method | Bag |

Other

| | |
|--------------------|----------------------|
| Terminal Transmits | 0 – 24 A (Low Power) |
|--------------------|----------------------|

Product Compliance

[For compliance documentation, visit the product page on TE.com>](#)

| | |
|---|---|
| EU RoHS Directive 2011/65/EU | Compliant |
| EU ELV Directive 2000/53/EC | Compliant |
| China RoHS 2 Directive MIIT Order No 32, 2016 | No Restricted Materials Above Threshold |
| EU REACH Regulation (EC) No. 1907/2006 | Current ECHA Candidate List: JUNE 2023 (235) Candidate List Declared Against: JUNE 2023 (235) Does not contain REACH SVHC |
| Halogen Content | Low Halogen - Br, Cl, F, I < 900 ppm per homogenous material. Also BFR/CFR/PVC Free |
| Solder Process Capability | Not applicable for solder process capability |

Product Compliance Disclaimer

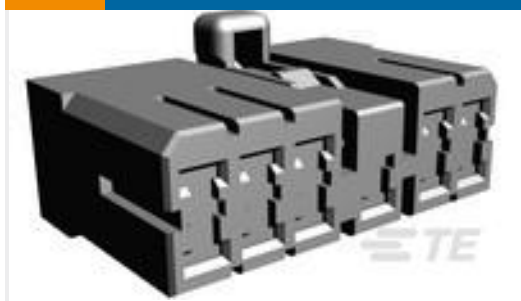
This information is provided based on reasonable inquiry of our suppliers and represents our current actual knowledge based on the information they provided. This information is subject to change. The part numbers that TE has identified as EU RoHS compliant have a maximum concentration of 0.1% by weight in homogenous materials for lead, hexavalent chromium, mercury, PBB, PBDE, DBP, BBP, DEHP, DIBP, and 0.01% for cadmium, or qualify for an exemption to these limits as defined in the Annexes of Directive 2011/65/EU (RoHS2). Finished electrical and electronic equipment products will be CE marked as required by Directive 2011/65/EU. Components may not be CE marked. Additionally, the part numbers that TE has identified as EU ELV compliant have a maximum concentration of 0.1% by weight in homogenous materials for lead, hexavalent chromium, and mercury, and 0.01% for cadmium, or qualify for an exemption to these limits as defined in the Annexes of Directive 2000/53/EC (ELV). Regarding the REACH Regulation, the information TE provides on SVHC in articles for this part number is based on the latest European Chemicals Agency (ECHA) 'Guidance on

requirements for substances in articles' posted at this URL: <https://echa.europa.eu/guidance-documents/guidance-on-reach>

Compatible Parts



TE Part # 172500-1
MIC MARK-2 PLUG HSG 17P



TE Part # 172497-1
MIC MARK-2 PLUG HSG 11P



TE Part # 172501-1
MIC MARK-2 PLUG HSG 21P



TE Part # 1804014-1
CCII MIC MK-II REC 20-14 ASSY



TE Part # 753787-1
EXTRACTION TOOL FOR MIC MK II



TE Part # 172496-1
MIC PLUG HSG 9P (MK II)



TE Part # 172494-1
MIC MARK-2 PLUG HSG 5P

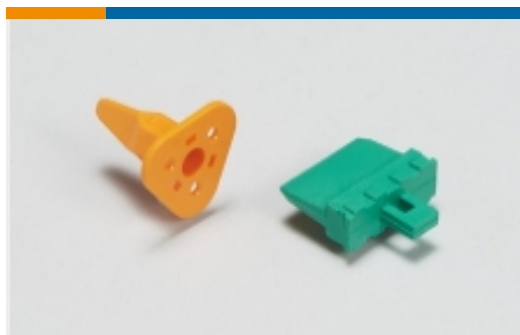
Also in the Series | Multilock Connector System



Automotive Connector Caps & Covers
(17)



Automotive Connector EMC Shielding
(1)



Automotive Connector Locks &
Position Assurance(2)



Automotive Housings(603)



Automotive Seals & Cavity Plugs(2)



Automotive Terminals(141)



Insertion & Extraction Tools(6)



Other Automotive Connector
Accessories(14)



PCB Headers & Receptacles(142)

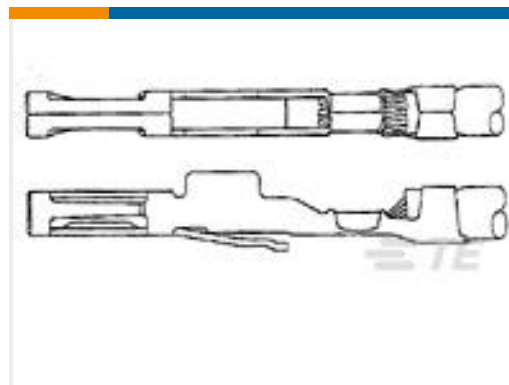
Customers Also Bought



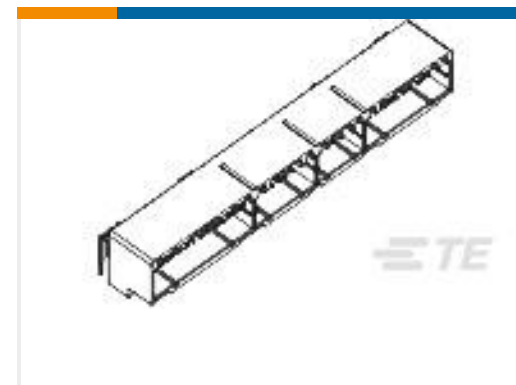
TE Part #T4133012041-000
M12,FRONT MOUNT,FEMALE,A,4P,
SOLDER WIRE



TE Part #172497-1
MIC MARK-2 PLUG HSG 11P



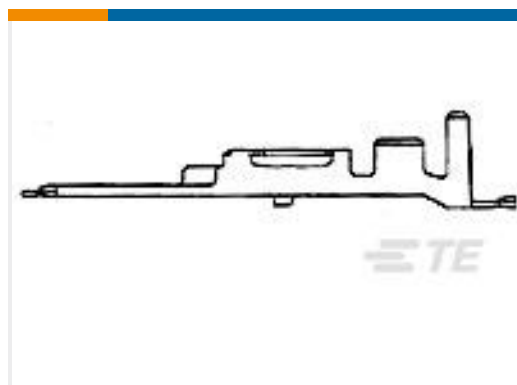
TE Part #1-170321-1
CONTACT CRIMP SNAP IN 22-20



TE Part #178780-1
040/070 HYBRID CAP ASSY 76P



TE Part #172496-1
MIC PLUG HSG 9P (MK II)



TE Part #172778-1
MIC MK-2 TAB LP



TE Part #172516-1
M.I.C.MARK II 17P CAP W/F



TE Part #172495-1
MIC MK-II PLUG HSG 7P NATURAL



TE Part #172498-1
MIC PLUG HSG 13P (MK II)



TE Part #361340-2
HST200M/100 C/Tie 200x2.5

Documents

Product Drawings

[RECP CONT MULTILOCK MIC MARKII](#)

Japanese

CAD Files

[3D PDF](#)

3D

[Customer View Model](#)

[ENG_CVM_CVM_172774-1_U.2d_dxf.zip](#)



English

Customer View Model

[ENG_CVM_CVM_172774-1_U.3d_igs.zip](#)

English

Customer View Model

[ENG_CVM_CVM_172774-1_U.3d_stp.zip](#)

English

By downloading the CAD file I accept and agree to the [Terms and Conditions](#) of use.

Datasheets & Catalog Pages

[MULTILOCK Connector System](#)

English

Product Specifications

[Application Specification](#)

English

[Crimping Multi-Interlock \(MIC\) Conn. Mark II, Rec. Contact](#)

English

Instruction Sheets

[Instruction Sheet \(non U.S.\)](#)

English

[Multi-Interlock Mark II Contact From Plug & Cap HSG](#)

English

[Instruction Sheet \(non U.S.\)](#)

Japanese