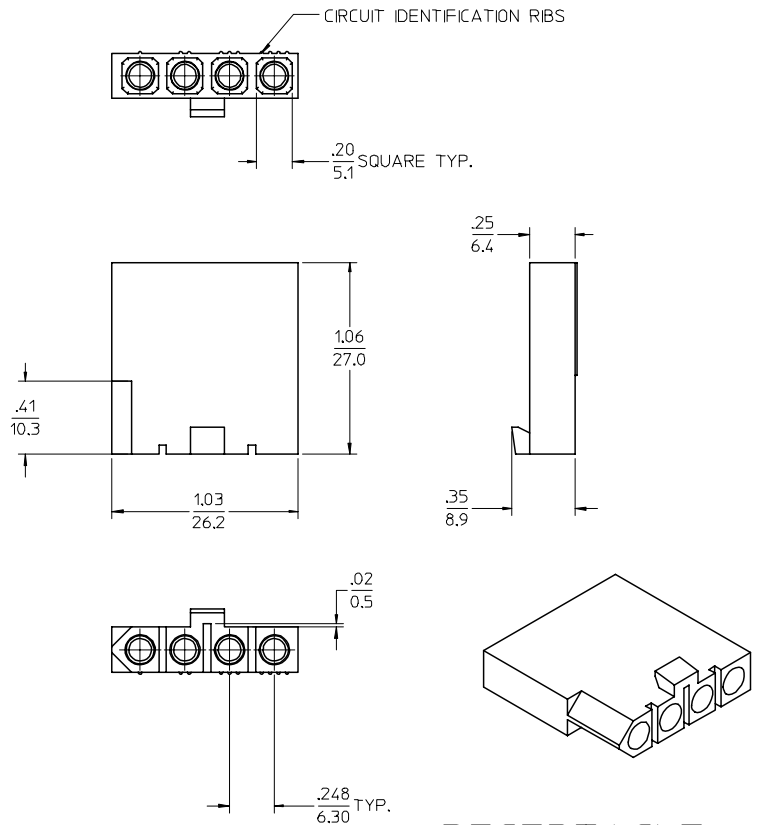


13 12 11 10 9 8 7 6 5 4 3 2 1

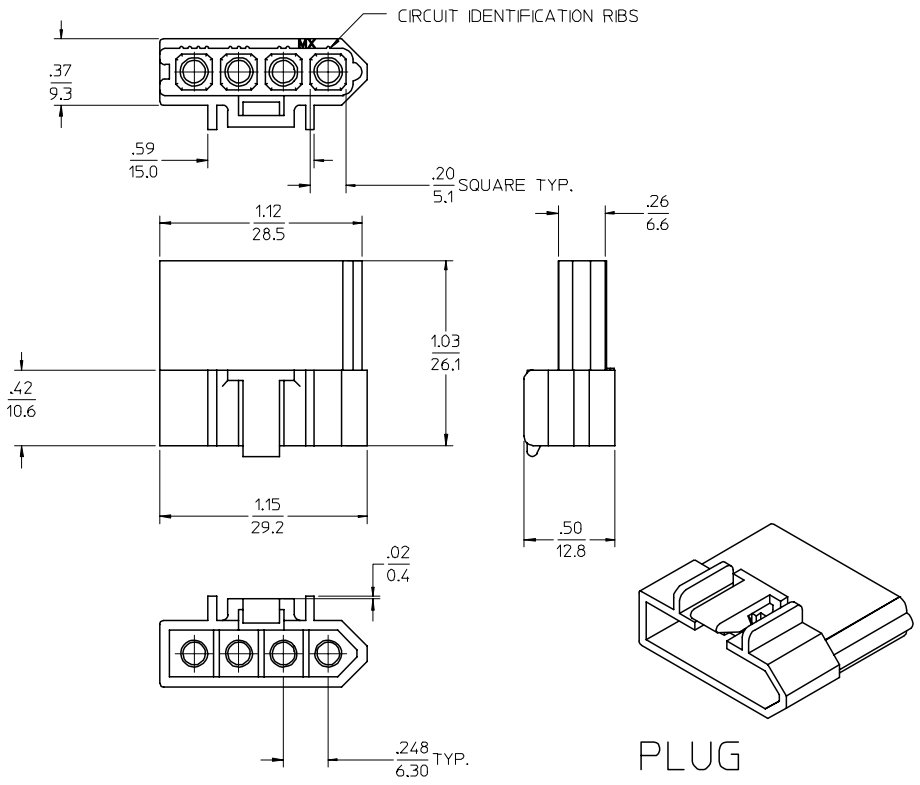
RECEPTACLE PLUG

ORDER NO.	ENG. NO.	ORDER NO.	ENG. NO.
03-09-1047	1816-4R	03-09-2048	1816-4P

- NOTES:  
 1. NYLON, UL94V-2  
 2. FINISH: N/A  
 3. PRODUCT SPECIFICATION: PS-02-09  
 4. PACKAGING SPECIFICATION: N/A



RECEPTACLE



PLUG

REDRAWN IN CAD EC NO: UCP2006-2209 DRAWN/PRI/DOR 2006/06/12 CHKD: AEL/HAG 2006/06/13 APPR: FSM/TH 2006/06/14 REVISION DESCRIPTION	QUALITY SYMBOLS ▽=0 ▽=0	GENERAL TOLERANCES (UNLESS SPECIFIED) mm INCH 4 PLACES ± .005 ± .0005 3 PLACES ± .013 ± .010 2 PLACES ± 0.25 ± .010 1 PLACE ± .025 ± .010 ANGULAR ±1/2°	DIMENSION STYLE IN/MM DRAWN BY DATE BBM 1968/01/04 CHECKED BY DATE APPROVED BY DATE	SCALE 2:1 DESIGN UNITS INCH THIRD ANGLE PROJECTION	
	TITLE .093/(2.36) HOUSINGS PLUG & RECEPTACLE 4 CKT, .248/(6.30) CTRS.				
	DRAFT WHERE APPLICABLE MUST REMAIN WITHIN DIMENSIONS		MATERIAL NO. SEE CHART SIZE C	DOCUMENT NO. SD-1816-4 MOLEX INCORPORATED	SHEET NO. 1 OF 1
	THIS DRAWING CONTAINS INFORMATION THAT IS PROPRIETARY TO MOLEX INCORPORATED AND SHOULD NOT BE USED WITHOUT WRITTEN PERMISSION				

12 11 10 9 8 7 6 5 4 3 2 1