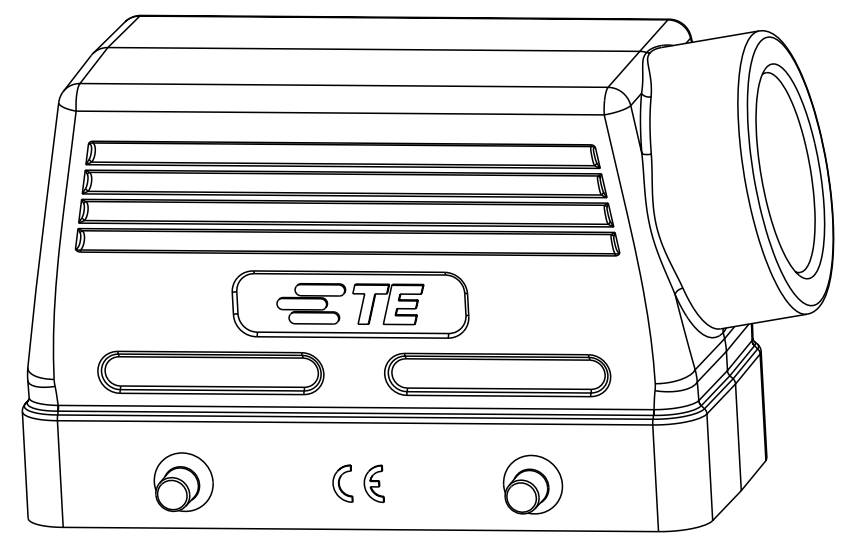
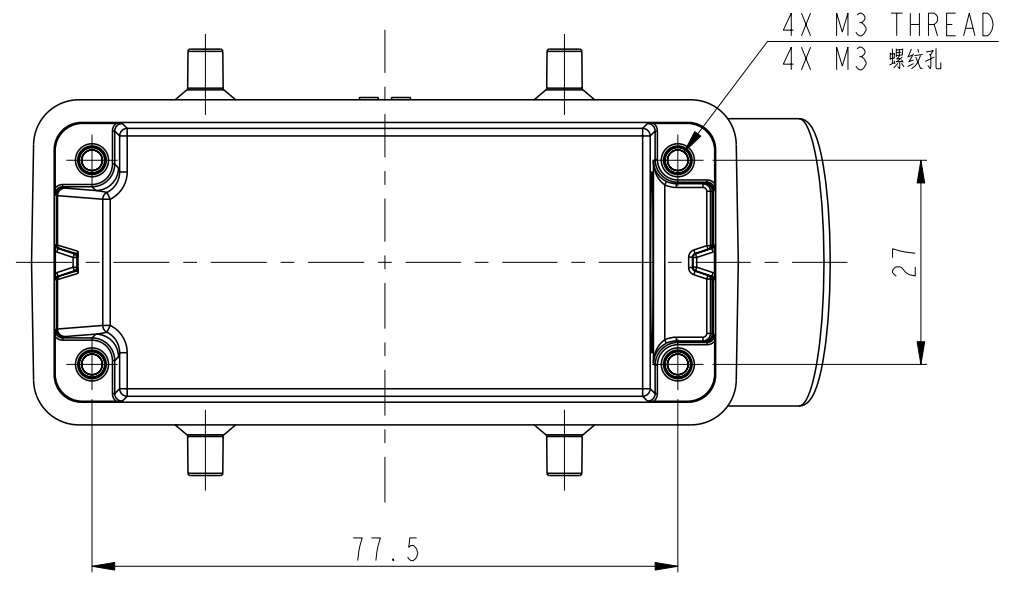
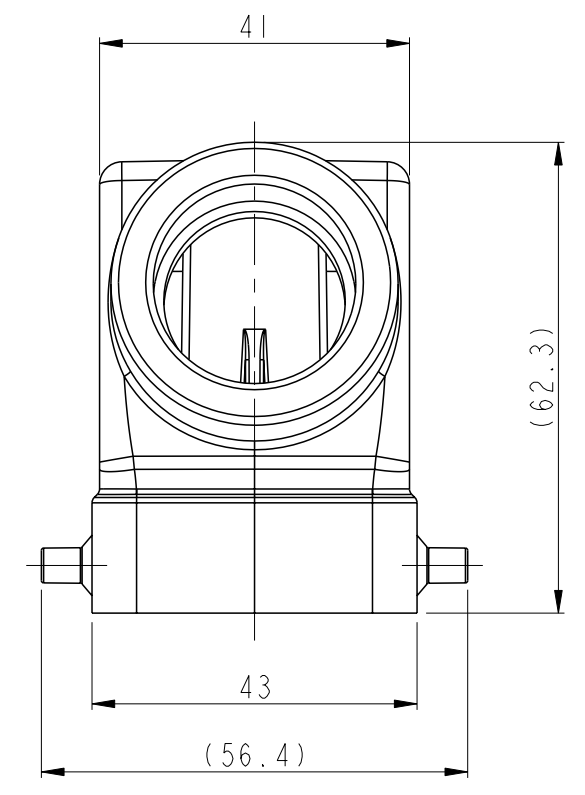
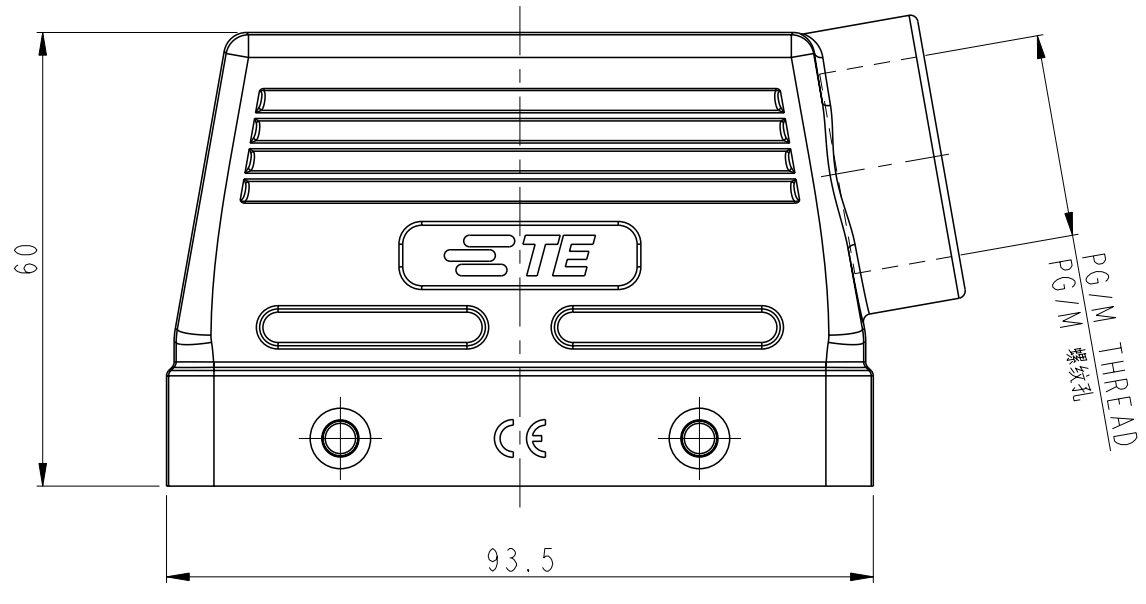


THIS DRAWING IS UNPUBLISHED. RELEASED FOR PUBLICATION 20  
 © COPYRIGHT 20 BY - ALL RIGHTS RESERVED.

REVISIONS					
P	LTR	DESCRIPTION	DATE	DWN	APVD
A		INITIAL	14OCT2016	CH	CW
B		ECR-20-014388	07DEC2020	WQR	CW



NOTES:  
 1. TECHNICAL CHARACTERISTICS:  
 HOOD MATERIAL: DIE CAST ALUMINIUM ALLOY  
 SURFACE: SEE TABLE  
 DEGREE OF PROTECTION: IP65 (MATED)  
 注释:  
 1. 技术参数:  
 上壳材料: 铝合金  
 表面处理: 见表格  
 防护等级: IP65(配合)

T1215164121-000	HI6B-TS-PG21	HI6B HOOD WITH SLEEVE, SIDE ENTRY PG21, 4 EAR, LOW CONSTRUCTION, STOVING VARNISH HI6B上壳,带凸台,侧出PG21,4耳,低结构,汽车烤漆	PG21
T1210161121-100		HI6B HOOD WITH SLEEVE, SIDE ENTRY PG21, 4 EAR, LOW CONSTRUCTION, POWDER COATED WITH INSIDE AND OUTSIDE, SILVER WHITE HI6B上壳,带凸台,侧出PG21,4耳,低结构,银白色粉末里外喷涂	
T1215160121-100		HI6B HOOD WITH SLEEVE, SIDE ENTRY PG21, 4 EAR, LOW CONSTRUCTION, POWDER COATED WITH INSIDE AND OUTSIDE, GRAY HI6B上壳,带凸台,侧出PG21,4耳,低结构,灰色粉末里外喷涂	
PART NUMBER 料号		PART DESCRIPTION 描述	PG/M THREAD PG/M 螺纹孔

THIS DRAWING IS A CONTROLLED DOCUMENT.

DWN: CHARLIE.HU 14OCT2016	TE Connectivity
CHK: KYLE.ZENG 14OCT2016	
APVD: CHRIS.WANG 14OCT2016	
PRODUCT SPEC: 108-137013	
APPLICATION SPEC: 114-137013	NAME: HI6B-TS-PG21
MATERIAL: -	SIZE: A2
FINISH: -	CAGE CODE: -
	DRAWING NO: C-T121X16X121X00
	RESTRICTED TO: -
CUSTOMER DRAWING	SCALE: 1:1
	SHEET: 1 OF 1
	REV: B

Printed on 25 Mar 2021 13:17 (China Standard Time) from TE343646