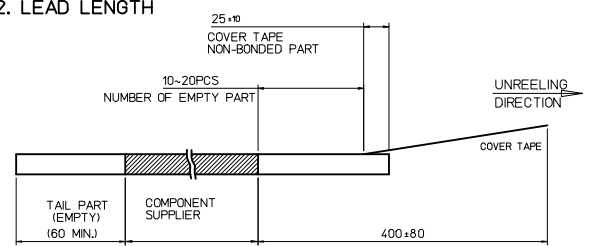


TOP VIEW OF EMBOSSED CARRIER

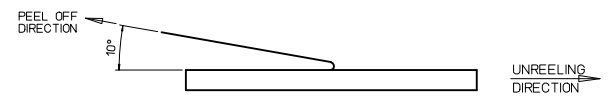
NOTES

1. QUANTITY OF PRODUCTS : 1,200 PCS / 1 REEL

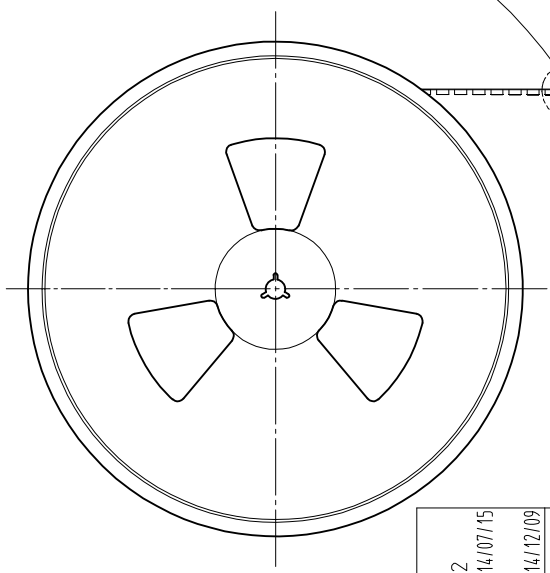
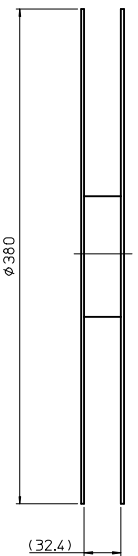
2. LEAD LENGTH



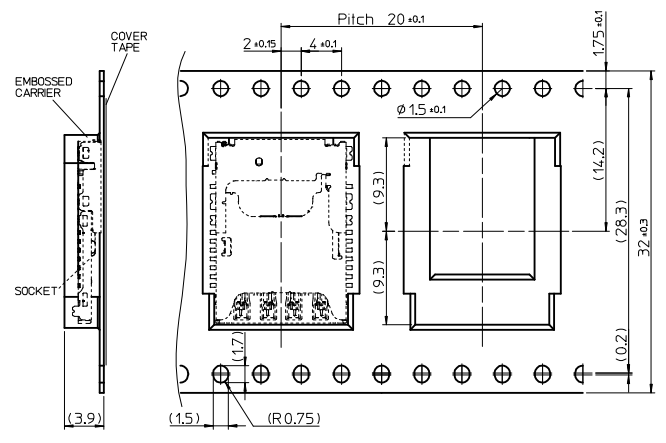
3. PEELING OFF FORCE OF COVER TAPE : 0.1N~0.59N(10.2~60gf)
 (PEELING DIRECTION AS BELOW)
 - PEELING OFF SPEED : 300mm/Min.(Ref.)



4. MATERIALS OF EMBOSSED CARRIER AND COVER TAPE :
 PET(POLYETHYLEN TEREPHTHALATE)



SEE SHEET1 EC NO: KOR2015-0002 DRW:EGKIM 2014/07/15 CHKD:SHCHU APPR:YSKIM02 2014/12/09	QUALITY SYMBOLS	GENERAL TOLERANCES (UNLESS SPECIFIED)	DIMENSION STYLE	SCALE	DESIGN UNITS	THIRD ANGLE PROJECTION
	▽=0 ▽=0	mm INCH	MM ONLY	2/1	METRIC	
A	DESCRIPTION	4 PLACES ± --- ± ---	DRAWN BY	DATE	TITLE	
		3 PLACES ± 0.12 ± ---	EGKIM	2014/07/15	COMBO 2.28H PUSH-PULL MICROSD/MICROSIM 8P/8P FOR ADAPTER	
		2 PLACES ± 0.12 ± ---	CHECKED BY	DATE	molex	
		1 PLACE ± 0.15 ± ---	SHCHU	2014/07/15		
		0 PLACE ± --- ± ---	APPROVED BY	DATE	DOCUMENT NO.	SHEET NO.
		YSKIM02	2014/12/09	SD-104168-004	2 OF 2	
		ANGULAR ± 1 °	MATERIAL NO.	THIS DRAWING CONTAINS INFORMATION THAT IS PROPRIETARY TO MOLEX INCORPORATED AND SHOULD NOT BE USED WITHOUT WRITTEN PERMISSION		
		DRAFT WHERE APPLICABLE MUST REMAIN WITHIN DIMENSIONS	SIZE			
			A3			

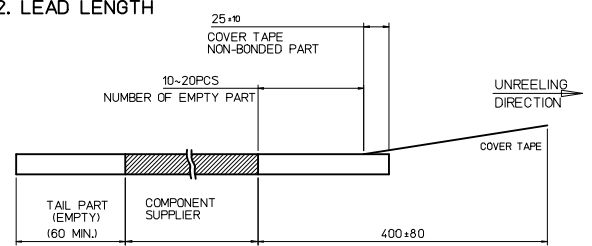


TOP VIEW OF EMBOSSED CARRIER

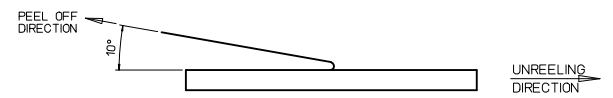
NOTES

1. QUANTITY OF PRODUCTS : 1,200 PCS / 1 REEL

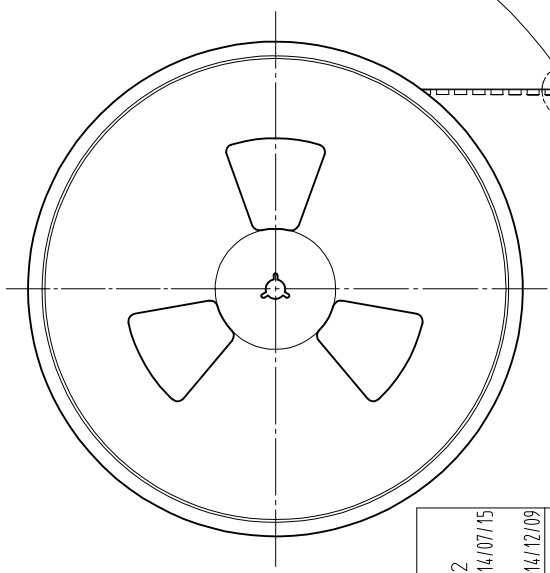
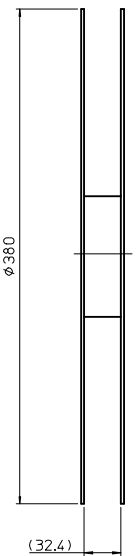
2. LEAD LENGTH



3. PEELING OFF FORCE OF COVER TAPE : 0.1N~0.59N(10.2~60gf)
(PEELING DIRECTION AS BELOW)
- PEELING OFF SPEED : 300mm/Min.(Ref.)



4. MATERIALS OF EMBOSSED CARRIER AND COVER TAPE :
PET(POLYETHYLEN TEREPHTHALATE)



SEE SHEET1 EC NO: KOR2015-0002 DRW:EGKIM 2014/07/15 CHKD:SHCHU APPR:YSKIM02 2014/12/09	QUALITY SYMBOLS	GENERAL TOLERANCES (UNLESS SPECIFIED)	DIMENSION STYLE MM ONLY	SCALE 2/1	DESIGN UNITS METRIC	THIRD ANGLE PROJECTION
	▽=0	mm INCH	DRAWN BY DATE EGKIM 2014/07/15	TITLE	COMBO 2.28H PUSH-PULL MICROSD/MICROSIM 8P/8P FOR ADAPTER	
	▽=0	4 PLACES ± --- ± --- 3 PLACES ± 0.12 ± --- 2 PLACES ± 0.12 ± --- 1 PLACE ± 0.15 ± --- 0 PLACE ± --- ± ---	CHECKED BY DATE SHCHU 2014/07/15	APPROVED BY DATE YSKIM02 2014/12/09	molex	
	ANGULAR ± 1 °	DRAFT WHERE APPLICABLE MUST REMAIN WITHIN DIMENSIONS	MATERIAL NO. SEE SHEET1	DOCUMENT NO. SD-104168-004	SHEET NO. 2 OF 2	