

# 2400-2483.5 MHz SINGLE BAND ANTENNA

Part Numbers: 1513430-1, 1513430-2

## FEATURES & BENEFITS

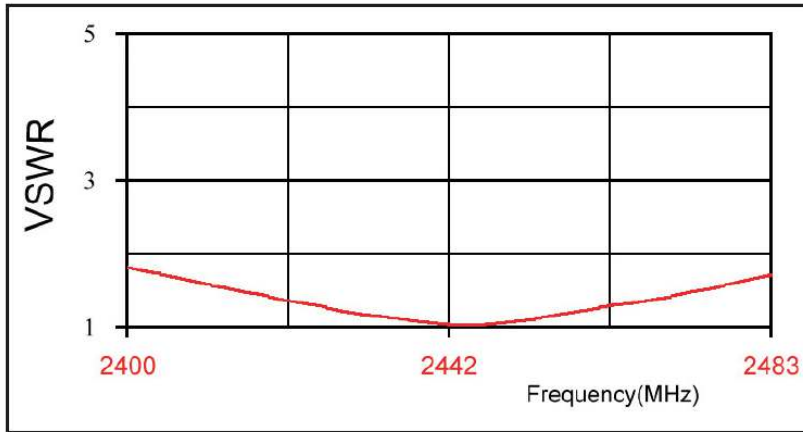
- IEEE802.11 b/g, shares the same frequency range as Bluetooth and ZigBee
- Global Frequency coverage
- On board SMD mount PCB antenna
- Minimum or no matching circuits required.
- Minimal keep out zone requirement
- Performance dependent on ground plane size and design
- Available in Tape & Reel packaging for automatic mounting

## SPECIFICATIONS

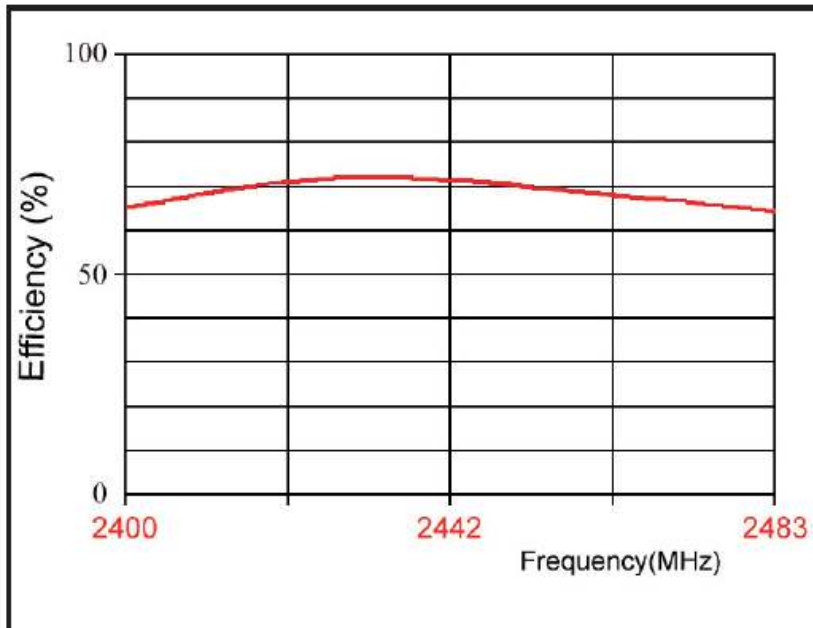
Frequency Range (MHz)	2400-2483.5
VSWR	< 2.0:1
Average Efficiency	65%
Peak Gain	+0 dBi
Average Gain	-1.9dBi
Power Handling	10 Watt cw
Feed Point Impedance	50 ohms
Polarization	Linear
Size	12.85 mm x 3.76 mm x 0.79 mm
Weight	< 0.5 g
Mounting	Surface mount
Operating Temperature	-40 to +85°C
Storage Temperature	-40 to +85°C
Packaging Specification	Bag & Box / Tape & Reel
Hazardous Materials	A certificate of conformance is available from the product page on TE website.
Data measured in free space and on reference ground plane of 30 mm length and 35 mm width, application data might vary	

## RF DATA

### VSWR



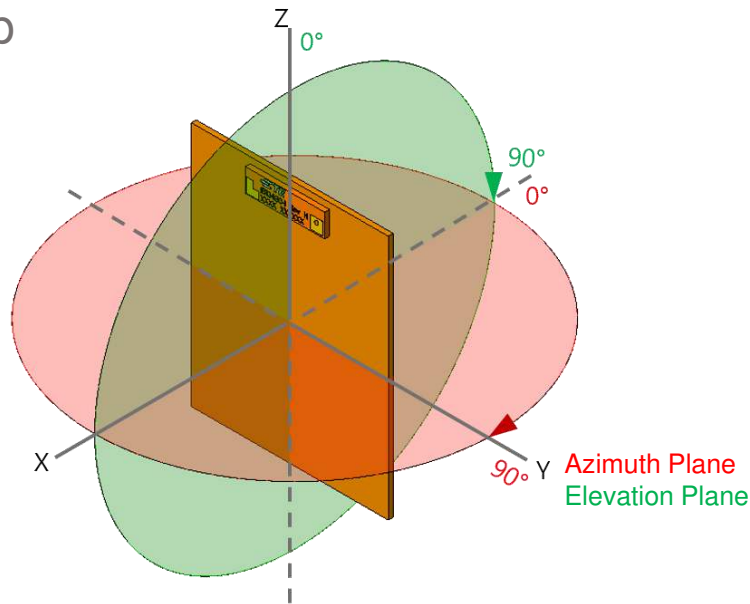
### Efficiency



Data measured in free space and on reference ground plane of 30 mm length and 35 mm width, application data might vary

## RADIATION PATTERN

Test setup

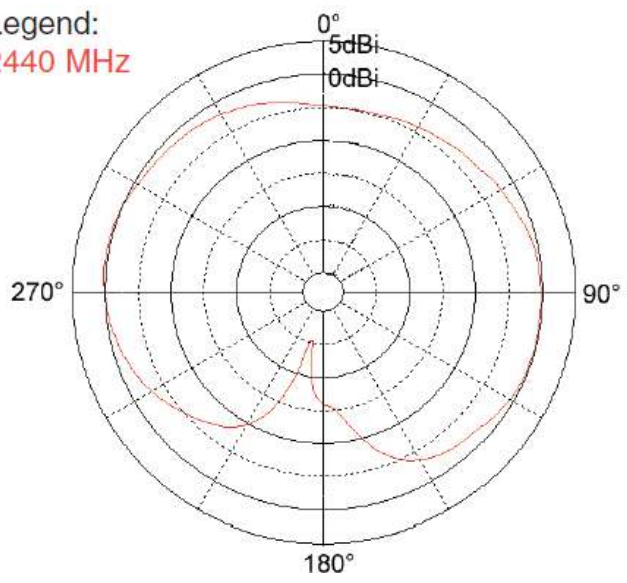
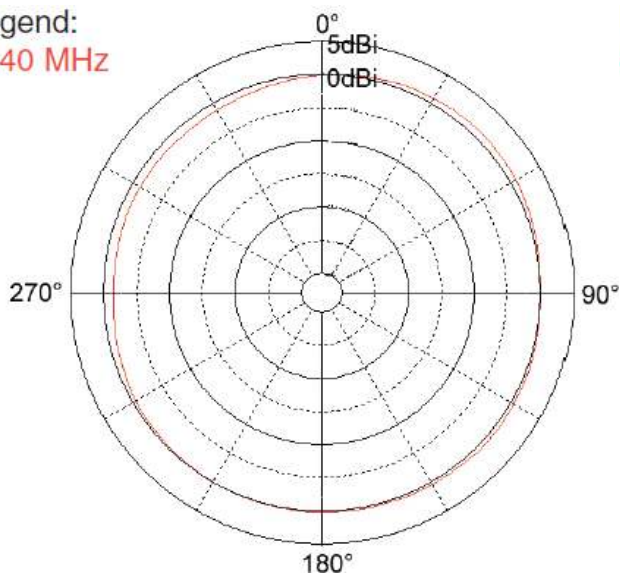


Azimuth

Elevation

Legend:  
2440 MHz

Legend:  
2440 MHz

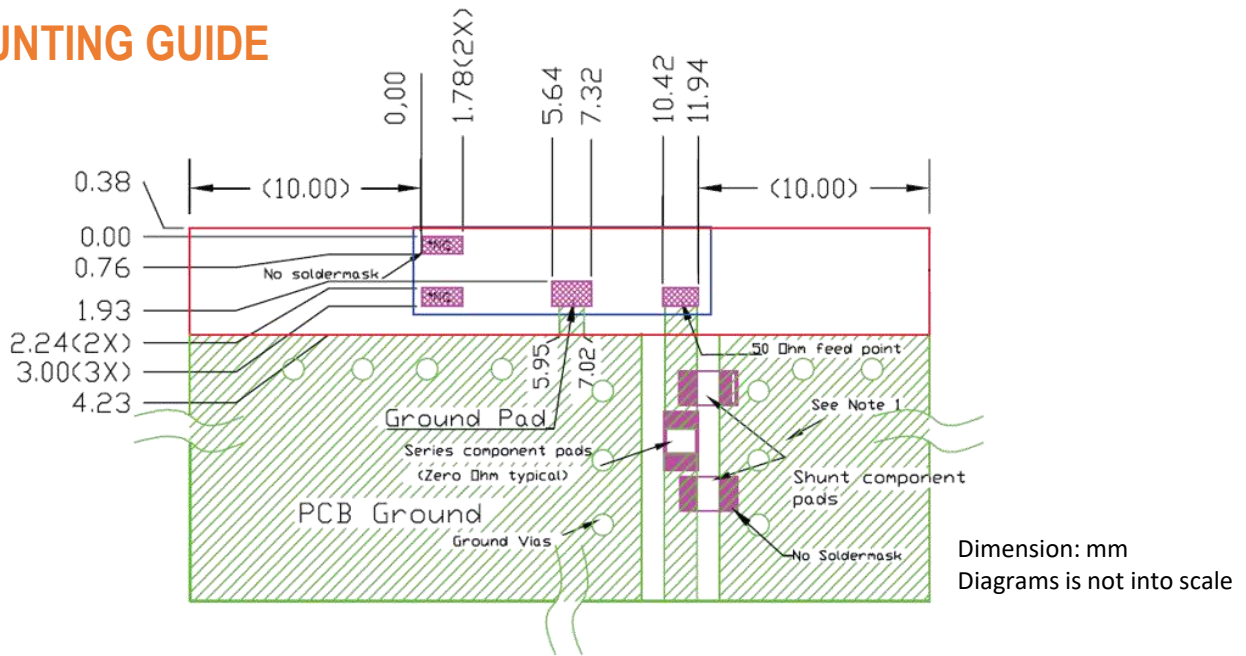


Data measured in free space and on reference ground plane of 30 mm length and 35 mm width, application data might vary

# 2400-2483.5 MHz SINGLE BAND ANTENNA

Standard Antenna Solutions

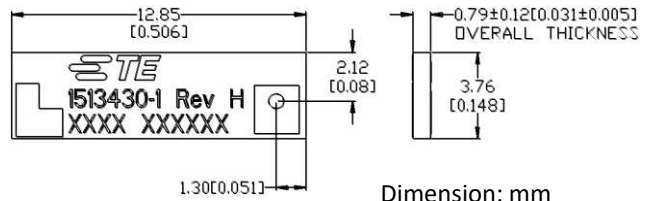
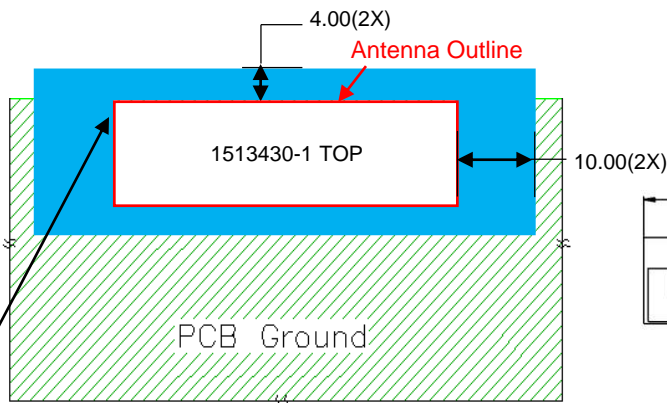
## MOUNTING GUIDE



- NOTES: 1. Suggested matching component pads  
 2. Antenna must be mounted on the edge of PCB.  
 3. NC = No connection (mechanical mounting pads).  
 4. For more information please call TE.

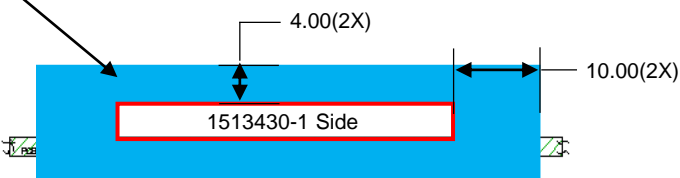
## KEEP OUT AREA

## DIMENSIONS



Dimension: mm  
 Diagrams is not into scale

Keep Out Area



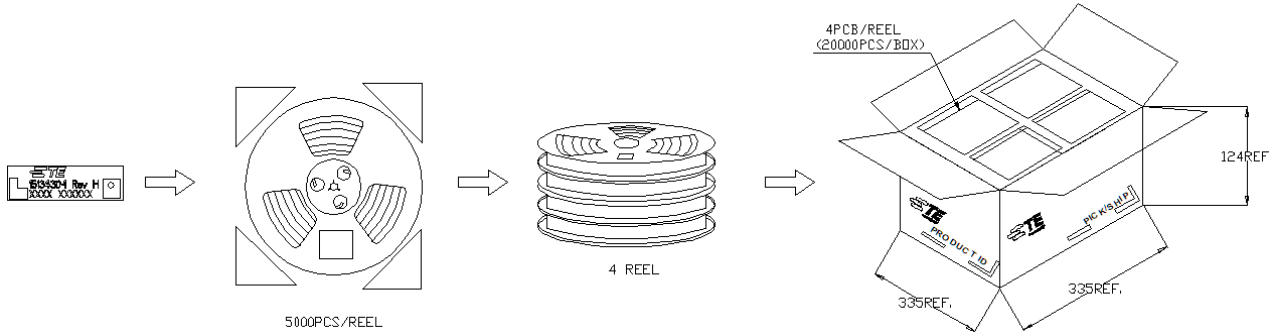
Dimension: mm  
 Diagrams is not into scale

# 2400-2483.5 MHz SINGLE BAND ANTENNA

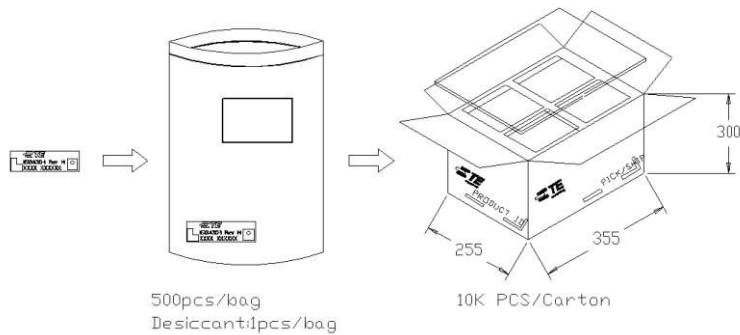
Standard Antenna Solutions

## PACKAGING

### 1513430-1 (TAPE & REEL)



### 1513430-2 (BULK)



### TE TECHNICAL SUPPORT CENTER

- USA: +1 (800) 522-6752
- Canada: +1 (905) 475-6222
- Mexico: +52 (0) 55-1106-0800
- Latin/S. America: +54 (0) 11-4733-2200
- Germany: +49 (0) 6251-133-1999
- UK: +44 (0) 800-267666
- France: +33 (0) 1-3420-8686
- Netherlands: +31 (0) 73-6246-999
- China: +86 (0) 400-820-6015

For phone numbers in other countries, go to [te.com/support-center](http://te.com/support-center)

### te.com

TE Connectivity, TE Connectivity (logo) are trademarks. All other logos, products and/or company names referred to herein might be trademarks of their respective owners.

The information given herein, including drawings, illustrations and schematics which are intended for illustration purposes only, is believed to be reliable. However, TE Connectivity makes no warranties as to its accuracy or completeness and disclaims any liability in connection with its use. TE Connectivity's obligations shall only be as set forth in TE Connectivity's Standard Terms and Conditions of Sale for this product and in no case will TE Connectivity be liable for any incidental, indirect or consequential damages arising out of the sale, resale, use or misuse of the product. Users of TE Connectivity products should make their own evaluation to determine the suitability of each such product for the specific application.

© 2020 TE Connectivity Ltd. family of companies All Rights Reserved.

08/2020