

NOTES:

1. ELECTRICAL:

- VOLTAGE RATING PER IEC 60664: 300V
- VOLTAGE RATING PER UL: 300V
- CURRENT: 8A

2. TEMP RATING: -25° TO +60°C

3. PROTECTION: IP67 (WHEN MATED)

4. COUPLING THREAD" 7/8-16

5. AGENCY:

- UL RECOGNIZED, FILE: E152210
- CSA CERTIFICATION FILE: LR6837

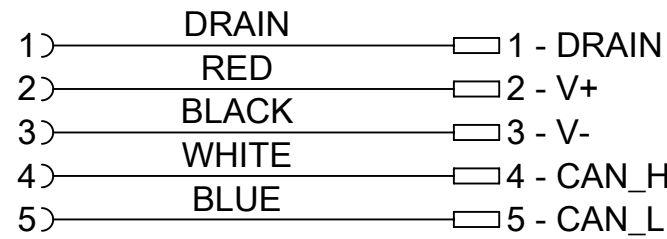
6 ALL DIMS ARE FOR REFERENCE UNLES NOTED OTHERWISE

UNLES NOTED OTHERWISE

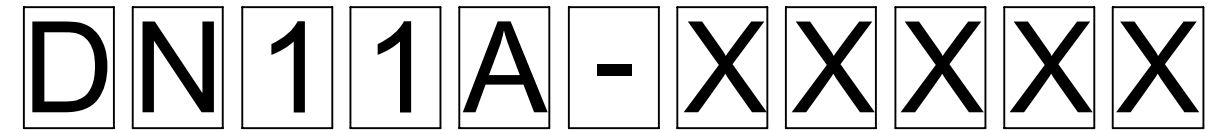
7. PART NUMBERS WITH "H" HAVE

TWO ID MARKERS ONE ON EACH END

WIRING DIAGRAM



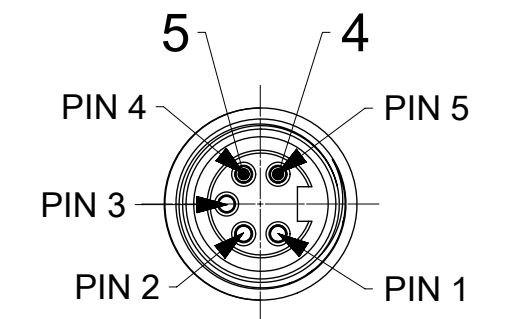
PART No. MATRIX



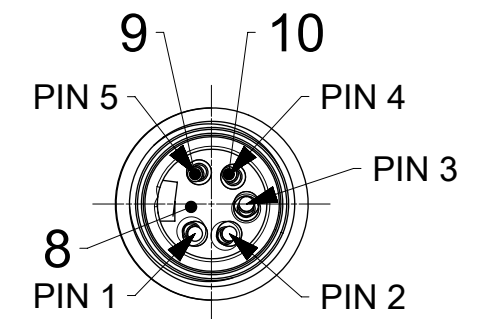
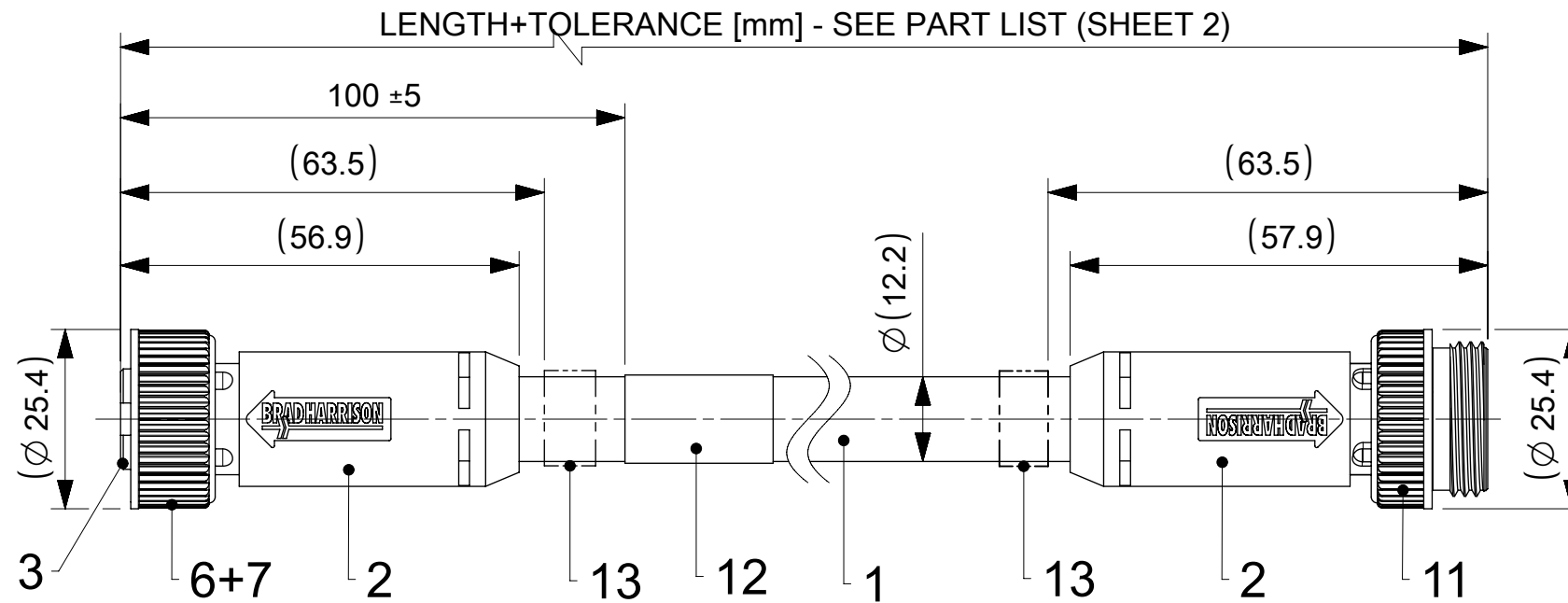
Units:  
M = Meter  
T = over  
100 Meter

Length  
Examples:  
005 = 0.5 m  
010 = 1 m  
050 = 5 m  
100 = 10 m  
150 = 15 m

OPTIONAL:  
H = ID CARRIER



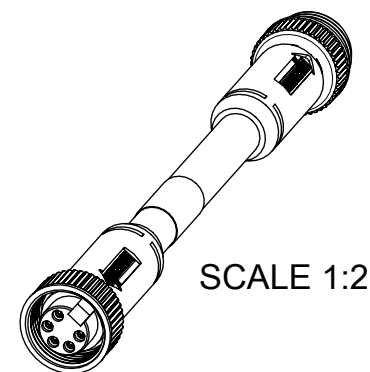
VIEW FROM THE FRONT SIDE



VIEW FROM THE FRONT SIDE

BILL OF MATERIALS

| ITEM | QTY | DESCRIPTION                  | MATERIAL | FINISH/COLOR        |
|------|-----|------------------------------|----------|---------------------|
| 13   | 2   | ID CARRIER                   | PVC      | -                   |
| 12   | 1   | LABEL WRAP                   | VINYL    | YELLOW              |
| 11   | 1   | COUPLING NUT A-SIZE EXT.     | ZINC     | BLACK               |
| 10   | 2   | PIN CONTACT 16 AWG           | COPPER   | GOLD OVER Ni-PLATED |
| 9    | 3   | PIN CONTACT 18 AWG           | COPPER   | GOLD OVER Ni-PLATED |
| 8    | 1   | HOUSING A-SIZE 5P MALE       | ARNITEL  | BLACK               |
| 7    | 1   | FRICTION RING A-SIZE         | NYLON    | GRAY                |
| 6    | 1   | MC COUPLING NUT A-SIZE       | ZINC     | BLACK               |
| 5    | 2   | MC SOCKET SLEEVE ASSY 16 AWG | COPPER   | GOLD OVER Ni-PLATED |
| 4    | 3   | MC SOCKET SLEEVE ASSY 18 AWG | COPPER   | GOLD OVER Ni-PLATED |
| 3    | 1   | HOUSING A-SIZE 5P FEMALE     | ARNITEL  | BLACK               |
| 2    | -   | MOULDING MATERIAL            | ARNITEL  | BLACK               |
| 1    | -   | TRUNK CABLE 19X30 AWG OD=12  | PVC      | GRAY                |
| ITEM | QTY | DESCRIPTION                  | MATERIAL | FINISH/COLOR        |



SCALE 1:2

|  |   |                        |  |              |
|--|---|------------------------|--|--------------|
| FUNCTIONAL SYMBOLS                                   | THIS DRAWING CONTAINS INFORMATION THAT IS PROPRIETARY TO MOLEX ELECTRONIC TECHNOLOGIES, LLC AND SHOULD NOT BE USED WITHOUT WRITTEN PERMISSION |                        | CURRENT REV DESC: PIN'S ADDED, NOTES UPDATED |              |
|  | △/A = 0   | mm                     | SCALE 1:1                                    |              |
| DIVISIONAL SYMBOLS                                   | GENERAL TOLERANCES (UNLESS SPECIFIED)   |                        | EC NO: 695738                                |              |
|  | △/E = 0   | ANGULAR TOL ± 1.0°     |  | 2022/02/14   |
| FUNCTIONAL SYMBOLS                                   | 4 PLACES ±  | DRWN: RSCHEIBER        |  | 2022/02/15   |
|  | 3 PLACES ±  | CHK'D: RSILLER         |  | 2022/02/15   |
|  | 2 PLACES ± 0.05   | APPR: RSILLER          |  | 2022/02/15   |
|  | 1 PLACE ± 0.3   | INITIAL REVISION:      |  |              |
| 0 PLACES ± 0.5                                       | DRWN: MKOWALCZYK01  |                        | 2018/09/07                                   |              |
| DRAFT WHERE APPLICABLE MUST REMAIN WITHIN DIMENSIONS |   | THIRD ANGLE PROJECTION | DRAWING                                      | SERIES       |
|  |   |                        | A3-SIZE                                      | 130025       |
|  |   | MATERIAL NUMBER        | CUSTOMER                                     | SHEET NUMBER |
|  |   | SEE SHEET 2            | GENERAL MARKET                               | 1 OF 2       |

**molex**

CSE MC 5P FE STR PVC MA STR 25M DE


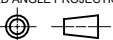
PRODUCT CUSTOMER DRAWING

DOCUMENT NUMBER: 1300250051  
DOC TYPE: PSD  
DOC PART: 000  
REVISION: B1

**PART LIST**

| MOLEX PN   | ENGINEERING NO. | LENGTH + TOL.[mm] |
|------------|-----------------|-------------------|
| 1300240329 | DN11A-M650      | 65000 +1300       |
| 1300250048 | DN11A-M003      | 300 +19           |
| 1300250051 | DN11A-M005      | 500 +45           |
| 1300250054 | DN11A-M010      | 1000 +56          |
| 1300250058 | DN11A-M015      | 1500 +56          |
| 1300250061 | DN11A-M020      | 2000 +89          |
| 1300250067 | DN11A-M030      | 3000 +89          |
| 1300250071 | DN11A-M040      | 4000 +165         |
| 1300250073 | DN11A-M050      | 5000 +165         |
| 1300250076 | DN11A-M060      | 6000 +165         |
| 1300250079 | DN11A-M070      | 7000 +165         |
| 1300250081 | DN11A-M080      | 8000 +317         |
| 1300250083 | DN11A-M090      | 9000 +317         |
| 1300250085 | DN11A-M100      | 10000 +317        |
| 1300250087 | DN11A-M120      | 12000 +317        |
| 1300250090 | DN11A-M130      | 13000 +317        |
| 1300250091 | DN11A-M140      | 14000 +317        |
| 1300250092 | DN11A-M150      | 15000 +610        |
| 1300250095 | DN11A-M180      | 18000 +610        |
| 1300250097 | DN11A-M200      | 20000 +610        |
| 1300250099 | DN11A-M210      | 21000 +610        |
| 1300250102 | DN11A-M240      | 24000 +610        |
| 1300250103 | DN11A-M250      | 25000 +610        |
| 1300250105 | DN11A-M270      | 27000 +610        |
| 1300250108 | DN11A-M300      | 30000 +610        |

| MOLEX PN   | ENGINEERING NO. | LENGTH + TOL.[mm] |
|------------|-----------------|-------------------|
| 1300250114 | DN11A-M350      | 35000 +700        |
| 1300250117 | DN11A-M400      | 40000 +800        |
| 1300250119 | DN11A-M450      | 45000 +900        |
| 1300250122 | DN11A-M500      | 50000 +1000       |
| 1300250124 | DN11A-M550      | 55000 +1100       |
| 1300250125 | DN11A-M600      | 60000 +1200       |
| 1300250127 | DN11A-M700      | 70000 +1400       |
| 1300250128 | DN11A-M750      | 75000 +1500       |
| 1300250133 | DN11A-T100      | 100000 +2000      |
| 1300250596 | DN11A-T200      | 200000 +4000      |
| 1300250649 | DN11A-M005H     | 500 +45           |
| 1300250652 | DN11A-M050H     | 5000 +165         |
| 1300250654 | DN11A-M060H     | 6000 +165         |
|            |                 |                   |
|            |                 |                   |
|            |                 |                   |
|            |                 |                   |
|            |                 |                   |
|            |                 |                   |
|            |                 |                   |
|            |                 |                   |
|            |                 |                   |
|            |                 |                   |
|            |                 |                   |
|            |                 |                   |
|            |                 |                   |
|            |                 |                   |
|            |                 |                   |

|  |   |  |  |   |                       |                                       |   |                                    |
|--|---|--|--|---|-----------------------|---------------------------------------|---|------------------------------------|
| FUNCTIONAL SYMBOLS<br>$\nabla_F = 0$<br>$\nabla_E = 0$<br>$\nabla_P = 0$<br>DIVISIONAL SYMBOLS | THIS DRAWING CONTAINS INFORMATION THAT IS PROPRIETARY TO MOLEX ELECTRONIC TECHNOLOGIES, LLC AND SHOULD NOT BE USED WITHOUT WRITTEN PERMISSION | DIMENSION UNITS: <b>mm</b> SCALE: <b>1:1</b> | CURRENT REV DESC: P/N'S ADDED, NOTES UPDATED   |    |                       |                                       |   |                                    |
|  | GENERAL TOLERANCES (UNLESS SPECIFIED)   |  |  |   |                       |                                       | CSE MC 5P FE STR PVC MA STR 25M DE  |                                    |
|  | ANGULAR TOL ± 1.0°  |  |  | PRODUCT CUSTOMER DRAWING  |                       |                                       |   |                                    |
|  | 4 PLACES  | ±  |  |   |                       |                                       | EC NO: 695738<br>DRWN: RSCHEIBER      2022/02/14<br>CHK'D: RSILLER      2022/02/15<br>APPR: RSILLER      2022/02/15 | DOCUMENT NUMBER: <b>1300250051</b> |
|  | 3 PLACES  | ±  |  | INITIAL REVISION:<br>DRWN: MKOWALCZYK01      2018/09/07<br>APPR: MMATLA      2018/09/11 |                       |                                       |   |                                    |
|  | 2 PLACES  | ±  | 0.05   |   |                       |                                       |   |                                    |
| 1 PLACE  | ±   | 0.3  |  |   |                       |                                       |   |                                    |
| 0 PLACES   | ±   | 0.5  |  |   |                       |                                       |   |                                    |
| DRAFT WHERE APPLICABLE<br>MUST REMAIN<br>WITHIN DIMENSIONS                                     |   |  | THIRD ANGLE PROJECTION  | DRAWING: <b>A4-SIZE</b>   | SERIES: <b>130025</b> | MATERIAL NUMBER: <b>SEE PART LIST</b> | CUSTOMER: <b>GENERAL MARKET</b>   | SHEET NUMBER: <b>2 OF 2</b>        |