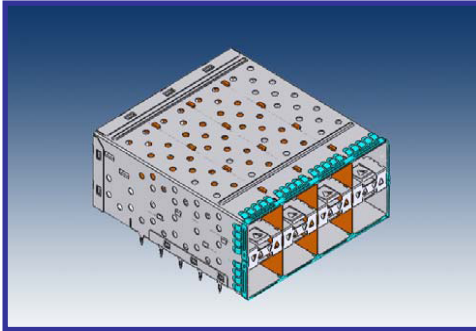
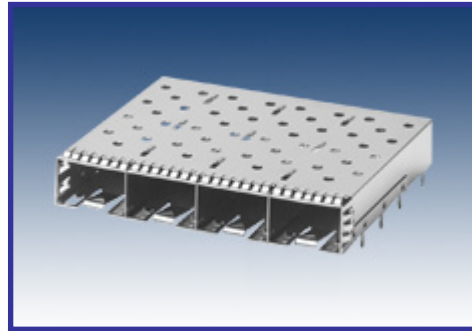


**SFP+ (2xN)** CAGE &  
CONNECTOR



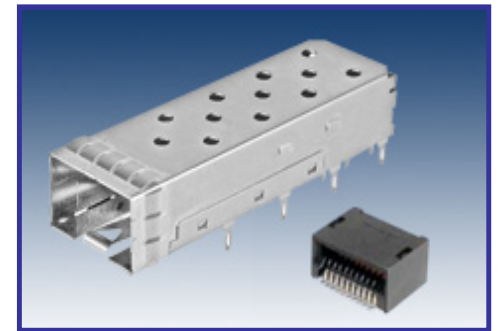
**RJ45-CAT5e**

**SFP+ (1xN)** CAGE &  
CONNECTOR

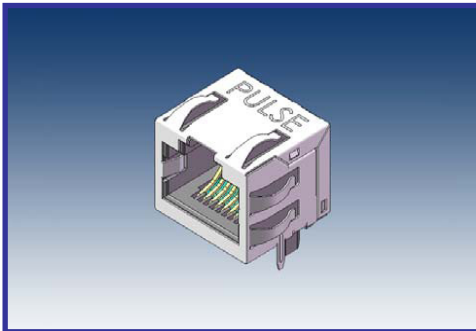


**Thunderbolt** Mini Display  
Port

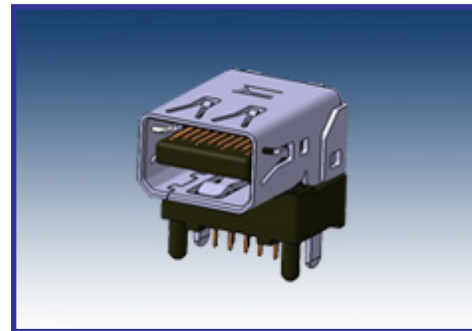
**SFP/SFP+ (1x1)** CAGE or  
CONNECTOR or Both



**USB3.0** A & B Type Female R/A  
Micro B Type Female SMT



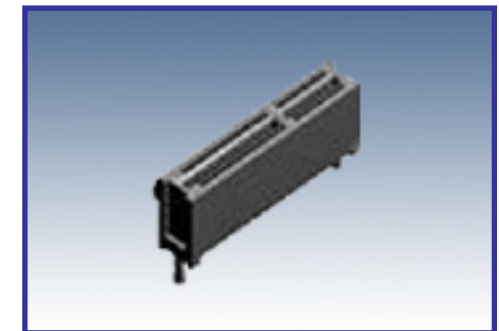
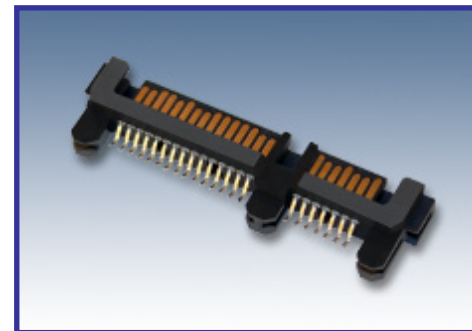
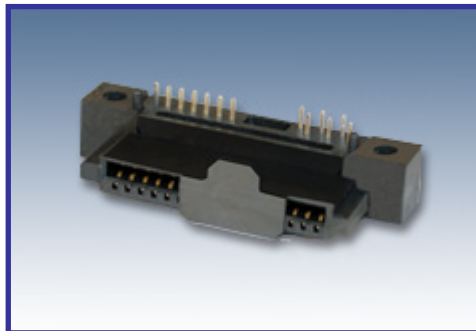
**SATA Female** 7+6P R/A, 7+15P  
SMT and 7+15PR/A.



**SATA Plug** Vertical SMT  
7+15P



**PCI Express** x1 THT, x4 SMT,  
& x8 THT Connector



SFP+ 2xN		2x1		2x2		2x4		2x6	
		w/ Elastomeric Gasket	w/ Metal EMI Tabs	w/ Elastomeric Gasket	w/ Metal EMI Tabs	w/ Elastomeric Gasket	w/ Metal EMI Tabs	w/ Elastomeric Gasket	w/ Metal EMI Tabs
No Light Pipes		SFPP-3148-L	SFPP-3143-L	SFPP-3138-L	SFPP-3133-L	SFPP-3128-L	SFPP-3123-L	SFPP-3118-L	SFPP-3113-L
with Light Pipes	All	SFPP-3145-L	SFPP-3140-L	SFPP-3135-L	SFPP-3130-L	SFPP-3125-L	SFPP-3120-L	SFPP-3115-L	SFPP-3110-L
	Inner	SFPP-3146-L	SFPP-3141-L	SFPP-3136-L	SFPP-3131-L	SFPP-3126-L	SFPP-3121-L	SFPP-3116-L	SFPP-3111-L

SFP 2xN		2x1	2x2	2x4	2x6	2x8
No Light Pipes		SFP0-3047-L	SFP0-3033-L	SFP0-3027-L	SFP0-3013-L	SFP0-3003-L
with Light Pipes	All	SFP0-3040-L	SFP0-3030-L	SFP0-3020-L	SFP0-3010-L	SFP0-3000-L
	Inner	SFP0-3041-L	SFP0-3031-L	SFP0-3021-L	SFP0-3011-L	SFP0-3001-L

SFP+ 1xN Cage	1x1	
	Standard	PCIe Compliant (1° tilt)
Press-fit	SFPP-1100-L	SFPP-1110-L
Through-hole	—	SFPP-1130-L

PCI Express	# of Pins	Vertical SMT	Vertical THT
1μ"	36pin	E9002-001-01	E9001-001-01
15μ"	36pin	E9002-001-02	E9001-001-02
1μ"	64pin	E9002-002-01	E9001-002-01
15μ"	64pin	E9002-002-02	E9001-002-02
1μ"	98pin	E9002-003-01	E9001-003-01
15μ"	98pin	E9002-003-02	E9001-003-02
1μ"	164pin	E9002-004-01	E9001-004-01
15μ"	164pin	E9002-004-02	E9001-004-02

SATA Plug	7+15P
Vertical SMT	E9122-005-01

Thunderbolt	1x1
Aμ 30μ	E9320-001-02
Gold Flash	E9320-001-01

SATA Female	Right Angle
7+6P R/A	E9113-001-01
7+15P SMT	E9122-001-01
7+15P R/A	E9122-004-01

USB 3.0	1x1
B Type	E8199-030-01
Vertical THT	E8199-002-01
Micro-AB	E8110-001-01

SFP 1xN Connector	1x1	
	30μ"	SFPC-2001-L
15μ"	SFPC-2000-L	

RJ45 CAT5e 1x1	
CAT5 – no LED	E6788-540725-L
CAT5 – with LED	E6588-52L184-L
	E6588-62LP45-L

SFP 1xN Cage	1x1
Press-fit	SFP0-1000-L
Through-hole	SFP0-1010-L

\* For any other platforms, please contact Pulse for data sheets.

**Pulse North America Headquarters**  
12220 World Trade Drive  
San Diego, CA 92128  
U.S.A.

[www.pulseeng.com](http://www.pulseeng.com)

Tel: 858 674 8100  
Fax: 858 674 8262

**Pulse Europe**  
Zeppelinstrasse 15  
D-71083 Herrenberg  
Germany

Tel: 49 7032 7806 0  
Fax: 49 7032 7806 135

**Pulse China Headquarters**  
B402, Shenzhen Academy of  
Aerospace Technology Bldg.  
10th Kejinan Road  
High-Tech Zone  
Nanshan District  
Shenzhen, PR China 518057

Tel: 86 755 33966678  
Fax: 86 755 33966700

**Pulse North China**  
Room 2704/2705  
Super Ocean Finance Ctr.  
2067 Yan An Road West  
Shanghai 200336  
China

Tel: 86 21 62787060  
Fax: 86 2162786973

**Pulse South Asia**  
13 5 Joo Seng Road  
#03-02  
PM Industrial Bldg.  
Singapore 368363

Tel: 65 6287 8998  
Fax: 65 6287 8998

**Pulse North Asia**  
3F, No. 198  
Zhongyuan Road  
Zhongli City  
Taoyuan County 320  
Taiwan R. O. C.  
Tel: 886 3 4356768  
Fax: 886 3 4356823 (Pulse)  
Fax: 886 3 4356820 (FRE)

Performance warranty of products offered on this data sheet is limited to the parameters specified. Data is subject to change without notice. Other brand and product names mentioned herein may be trademarks or registered trademarks of their respective owners. Pulse and the Squarewave logo are trademarks of Pulse Electronics, Inc., registered in the U.S. and other countries.