

532436-7 ✓ ACTIVE

AMP-HDI

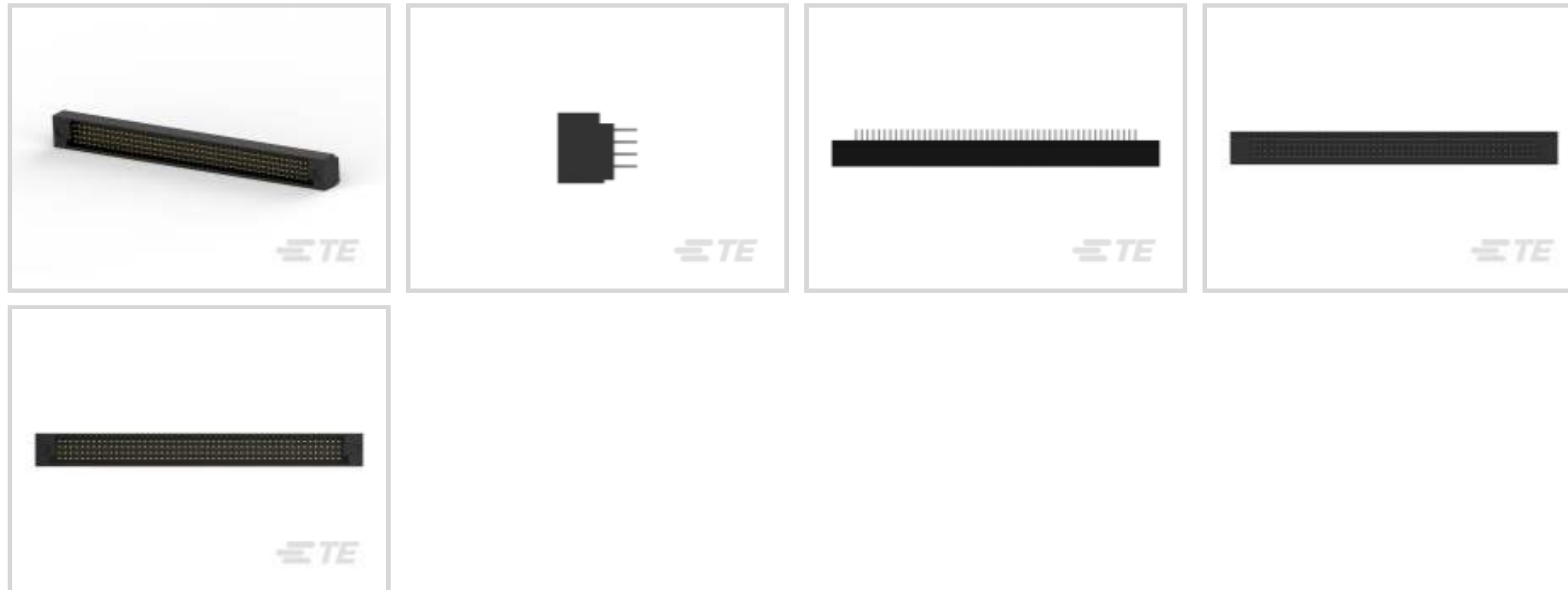
TE Internal #: 532436-7

PCB Mount Header, Vertical, Board-to-Board, 200 Position, 2.54 mm [.1 in] Centerline, Fully Shrouded, Gold, Through Hole - Solder, Signal, Black

[View on TE.com >](#)



Connectors > PCB Connectors > PCB Headers & Receptacles



PCB Connector Assembly Type: **PCB Mount Header**

PCB Mount Orientation: **Vertical**

Connector System: **Board-to-Board**

Number of Positions: **200**

Number of Rows: **4**

Features

Product Type Features

| | |
|-----------------------------------|-----------------------|
| PCB Connector Assembly Type | PCB Mount Header |
| Connector System | Board-to-Board |
| Header Type | Fully Shrouded |
| Sealable | No |
| Connector & Contact Terminates To | Printed Circuit Board |

Configuration Features

| | |
|-----------------------|----------|
| Stackable | No |
| PCB Mount Orientation | Vertical |
| Number of Positions | 200 |
| Number of Rows | 4 |

Electrical Characteristics

| | |
|-----------------------|--------------|
| Insulation Resistance | 4 M Ω |
|-----------------------|--------------|

Body Features

| | |
|-----------------------|-------|
| Primary Product Color | Black |
|-----------------------|-------|



Contact Features

| | |
|--|--------------------------|
| | .21 in |
| Mating Square Post Dimension | .64 mm[.025 in] |
| Contact Layout | Matrix |
| Contact Shape & Form | Four Beam |
| PCB Contact Termination Area Plating Material | Tin |
| Contact Base Material | Phosphor Bronze |
| Contact Mating Area Plating Material | Gold |
| Contact Mating Area Plating Material Thickness | .76 μ m[30 μ in] |
| Contact Type | Pin |
| Contact Current Rating (Max) | 3 A |

Termination Features

| | |
|---|-----------------------|
| Square Termination Post & Tail Dimension | .64 mm[.025 in] |
| Termination Post & Tail Length | 4.83 mm[.19 in] |
| Termination Method to Printed Circuit Board | Through Hole - Solder |

Mechanical Attachment

| | |
|--------------------------|------------------------|
| PCB Mount Retention Type | Retention Solder Tails |
| Mating Alignment | Without |
| Mating Alignment Type | Keyed |
| PCB Mount Retention | Without |
| PCB Mount Alignment | Without |
| Connector Mounting Type | Board Mount |

Housing Features

| | |
|--------------------|----------------|
| Centerline (Pitch) | 2.54 mm[.1 in] |
| Housing Material | Thermoplastic |

Dimensions

| | |
|-----------------------------|-------------------|
| Connector Height | 11.73 mm[.462 in] |
| PCB Thickness (Recommended) | 1.57 mm[.76 in] |

Usage Conditions

| | |
|-----------------------------|----------------------------|
| Housing Temperature Rating | High |
| Operating Temperature Range | -65 – 125 °C[-85 – 257 °F] |

Operation/Application



| | |
|------------------------|----------------|
| Solder Process Feature | Board Standoff |
| Circuit Application | Signal |

Industry Standards

| | |
|------------------------|----------|
| UL Flammability Rating | UL 94V-0 |
|------------------------|----------|

Packaging Features

| | |
|--------------------|------|
| Packaging Quantity | 4 |
| Packaging Type | Tube |

Product Compliance

[For compliance documentation, visit the product page on TE.com>](#)

| | |
|---|--|
| EU RoHS Directive 2011/65/EU | Not Compliant |
| EU ELV Directive 2000/53/EC | Compliant with Exemptions |
| China RoHS 2 Directive MIIT Order No 32, 2016 | Restricted Materials Above Threshold |
| EU REACH Regulation (EC) No. 1907/2006 | Current ECHA Candidate List: JUNE 2023 (235) Candidate List Declared Against: JAN 2023 (233) SVHC > Threshold: Pb (13% in Component Part) Article Safe Usage Statements: Do not eat, drink or smoke when using this product. Wash thoroughly after handling. Recycle if possible and dispose of the article by following all applicable governmental regulations relevant to your geographic location. |
| Halogen Content | Low Halogen - Br, Cl, F, I < 900 ppm per homogenous material. Also BFR/CFR/PVC Free |
| Solder Process Capability | Not lead free process capable |

Product Compliance Disclaimer

This information is provided based on reasonable inquiry of our suppliers and represents our current actual knowledge based on the information they provided. This information is subject to change. The part numbers that TE has identified as EU RoHS compliant have a maximum concentration of 0.1% by weight in homogenous materials for lead, hexavalent chromium, mercury, PBB, PBDE, DBP, BBP, DEHP, DIBP, and 0.01% for cadmium, or qualify for an exemption to these limits as defined in the Annexes of Directive 2011/65/EU (RoHS2). Finished electrical and electronic equipment products will be CE marked as required by Directive 2011/65/EU. Components may not be CE marked. Additionally, the part numbers that TE has identified as EU ELV compliant have a maximum concentration of 0.1% by weight in homogenous materials for lead, hexavalent chromium, and mercury, and 0.01% for cadmium, or qualify for an exemption to these limits as defined in the Annexes of Directive 2000/53/EC (ELV). Regarding the REACH Regulation, the information TE provides on SVHC in articles for this part number is based on the latest European Chemicals Agency (ECHA) 'Guidance on requirements for substances in articles' posted at this URL: <https://echa.europa.eu/guidance-documents/guidance-on-reach>

Compatible Parts




TE Part # 1-532825-4
HDI RECP ASSY 2 ROW 150 POS



TE Part # 532434-7
HDI RECP ASSY 4 ROW 200 POS




TE Part # 5532903-7
ASSY,RECPT,R.ANGLE,HDI,LEAD-FR



TE Part # 533935-4
HDI PIN ASSY 4 ROW 200 POS



TE Part # 5532436-7
ASSY,PIN,VERTICAL,HDI,LEAD-FRE



TE Part # 533938-4
HDI RECP ASSY 4 ROW 200 POS

Customers Also Bought



TE Part #87499-3
02 MODIV HSG SR MRKD .100CL



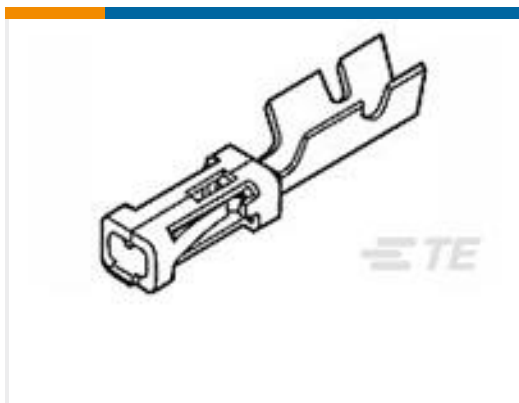
TE Part #532436-6
HDI PIN ASSY 4 ROW 180 POS



TE Part #87631-5
10 MODIV HSG COMP DR .100 POL



TE Part #160300
PLASTI-GRIP 12-10 RING M10




TE Part #86015-2
MOD IV RECP LP



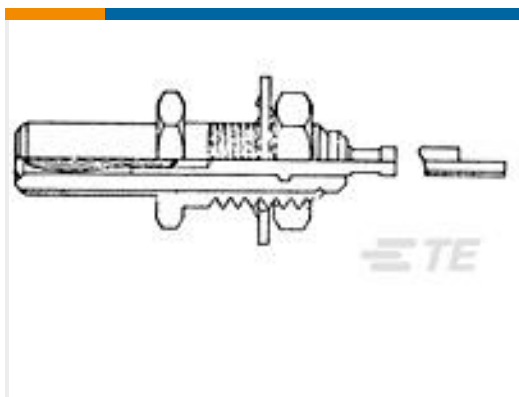
TE Part #5532903-7
ASSY,RECPT,R.ANGLE,HDI,LEAD-FR



TE Part #1410955-2
MULTIGIG RT GUIDE PIN PLATED



TE Part #1-1618274-3
HC-1/S23=RELAY, VACUUM, SPDT



TE Part #2-1532006-1
141-1002-0002=RCPT,FTMTW/SOLD

Documents



Product Drawings

[HDI PIN ASSY 4 ROW 200 POS](#)

English

CAD Files

[3D PDF](#)

3D

Customer View Model

[ENG_CVM_CVM_532436-7_T.2d_dxf.zip](#)

English

Customer View Model

[ENG_CVM_CVM_532436-7_T.3d_igs.zip](#)

English

Customer View Model

[ENG_CVM_CVM_532436-7_T.3d_stp.zip](#)

English

By downloading the CAD file I accept and agree to the [Terms and Conditions](#) of use.

Datasheets & Catalog Pages

[1-1773957-5_AMP_HDI_BTБ_CONNECTORS_EN](#)

English

Product Specifications

[Application Specification](#)

English

Instruction Sheets

[Instruction Sheet \(U.S.\)](#)

English

Agency Approvals

[Agency Approval Document](#)

English
