

2232532-4 ✓ ACTIVE



RAST | RAST 5D

TE Internal #: 2232532-4

PCB Mount Header, Vertical, Wire-to-Board, 4 Position, 5 mm [.197 in] Centerline, Fully Shrouded, Tin, Through Hole - Solder, Power, Natural, RAST 5D

[View on TE.com >](#)

Connectors > PCB Connectors > PCB Headers & Receptacles



Connector System: **Wire-to-Board**

Number of Positions: **4**

Number of Rows: **1**

Centerline (Pitch): **5 mm [.197 in]**

PCB Mount Orientation: **Vertical**

## Features

### Product Type Features

Connector System	Wire-to-Board
Header Type	Fully Shrouded
Sealable	No
Connector & Contact Terminates To	Printed Circuit Board
PCB Connector Assembly Type	PCB Mount Header

### Configuration Features

Keying & Polarized Position Locations	1B
Number of Columns	4
Number of Positions	4
Number of Rows	1
PCB Mount Orientation	Vertical

### Electrical Characteristics

Operating Voltage	250 VAC
-------------------	---------

### Body Features



Primary Product Color	Natural
-----------------------	---------

### Contact Features

PCB Contact Termination Area Plating Material Thickness	3.81 $\mu\text{m}$ [150 $\mu\text{in}$ ]
Contact Layout	Inline
Mating Tab Width	6.3 mm[.248 in]
Mating Tab Thickness	.8 mm[.032 in]
Contact Underplating Material Thickness	1.27 $\mu\text{m}$ [50 $\mu\text{in}$ ]
Contact Mating Area Plating Material Thickness	3.81 $\mu\text{m}$ [150 $\mu\text{in}$ ]
PCB Contact Termination Area Plating Material Finish	Matte
Contact Shape & Form	Rectangular
Contact Mating Area Plating Material Finish	Matte
Contact Underplating Material	Nickel
PCB Contact Termination Area Plating Material	Tin
Contact Base Material	Brass
Contact Mating Area Plating Material	Tin
Contact Type	Tab
Contact Current Rating (Max)	16 A

### Termination Features

Square Termination Post & Tail Dimension	.8 mm[.032 in]
Termination Method to Printed Circuit Board	Through Hole - Solder

### Mechanical Attachment

PCB Mount Alignment Type	Polarizing Pegs
Mating Alignment Type	Keyed, Polarization
Mating Retention	With
Connector Mounting Type	Board Mount
Mating Alignment	With
PCB Mount Alignment	With
PCB Mount Retention	Without

### Housing Features

Housing Material	Nylon
Centerline (Pitch)	5 mm[.197 in]

### Dimensions



Connector Length	22.6 mm[.88 in]
Connector Height	12.8 mm[.503 in]
Connector Width	14.9 mm[.58 in]
PCB Thickness (Recommended)	1.5 mm[.059 in]

### Usage Conditions

Operating Temperature Range	-40 – 120 °C[-40 – 248 °F]
-----------------------------	----------------------------

### Operation/Application

Circuit Application	Power
---------------------	-------

### Industry Standards

Agency/Standard	UL
Approved Standards	UL E28476
UL Flammability Rating	UL 94V-0

### Packaging Features

Packaging Type	Loose Piece
----------------	-------------

### Product Compliance

[For compliance documentation, visit the product page on TE.com>](#)

EU RoHS Directive 2011/65/EU	Compliant
EU ELV Directive 2000/53/EC	Compliant
China RoHS 2 Directive MIIT Order No 32, 2016	No Restricted Materials Above Threshold
EU REACH Regulation (EC) No. 1907/2006	Current ECHA Candidate List: JUNE 2023 (235) Candidate List Declared Against: JUNE 2023 (235) Does not contain REACH SVHC
Halogen Content	Not Low Halogen - contains Br or Cl > 900 ppm.
Solder Process Capability	Not reviewed for solder process capability

#### Product Compliance Disclaimer

This information is provided based on reasonable inquiry of our suppliers and represents our current actual knowledge based on the information they provided. This information is subject to change. The part numbers that TE has identified as EU RoHS compliant have a maximum concentration of 0.1% by weight in homogenous materials for lead, hexavalent chromium, mercury, PBB, PBDE, DBP, BBP, DEHP, DIBP, and 0.01% for cadmium, or qualify for an exemption to these limits as defined in the Annexes of Directive 2011/65/EU (RoHS2). Finished electrical and electronic equipment products will be CE marked as required by Directive 2011/65/EU. Components may not be CE marked. Additionally, the part numbers that TE has identified as EU ELV compliant have a maximum concentration of 0.1% by weight in homogenous materials for lead, hexavalent chromium, and mercury, and 0.01% for cadmium, or qualify for an exemption to these limits as defined in the Annexes of Directive 2000/53/EC (ELV). Regarding the REACH Regulation, the information TE provides

on SVHC in articles for this part number is based on the latest European Chemicals Agency (ECHA) 'Guidance on requirements for substances in articles' posted at this URL: <https://echa.europa.eu/guidance-documents/guidance-on-reach>

## Compatible Parts



TE Part # 2232532-7  
7P, PL RAST 5 Tab Header, TH,Vertical



TE Part # 2232532-8  
8P, PL RAST 5 Tab Header, TH,Vertical



TE Part # 1-2232532-4  
4P, PL RAST 5 Tab Header, TH,Vertical



TE Part # 1-2232532-6  
6P, PL RAST 5 Tab Header, TH,Vertical



TE Part # 1-2232043-4  
4P, RAST 5 Tab Header, THV



TE Part # 1-2232045-4  
4P, RAST 5 Tab Header, THV



TE Part # 1-2232532-5  
5P, PL RAST 5 Tab Header, TH,Vertical



TE Part # 2232532-2  
2P, PL RAST 5 Tab Header, TH, Vertical



TE Part # 2232532-3  
3P, PL RAST 5 Tab Header, TH, Vertical



TE Part # 2232532-5  
5P, PL RAST 5 Tab Header, TH,Vertical



TE Part # 3-2232532-2  
2P, PL RAST 5 Tab Header, TH, Vertical



TE Part # 3-2232532-8  
8P, PL RAST 5 Tab Header, TH,Vertical



TE Part # 8-2232532-4  
4P, RAST 5 TAB HEADER, THV, TUBE PECKAGE

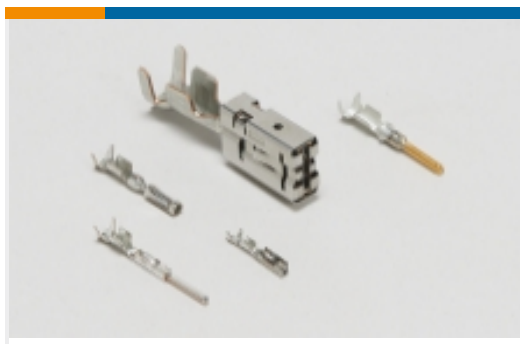


TE Part # 8-2232532-6  
6P, PL RAST 5 Tab Header, TH,Vertical



TE Part # 9-2232532-3  
3P, RAST 5 TAB HEADER, THV, TUBE PECKAGE

Also in the Series | **RAST 5D**



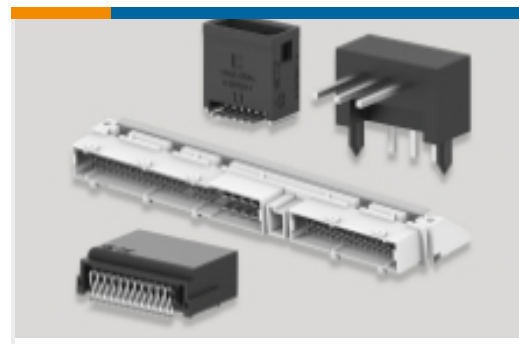
Automotive Terminals(5)



Connector Contacts(10)



Insertion & Extraction Tools(1)



PCB Headers & Receptacles(69)

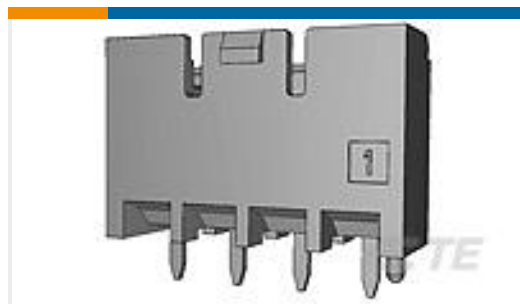


Wire-to-Board Connector Assemblies & Housings(88)

## Customers Also Bought



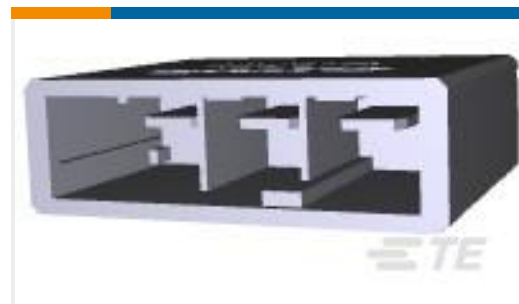
TE Part #179846-1  
AMP POWER D/LOCK T/HDR ASSY 3P



TE Part #1376384-1  
5mm B-T-W Conn. 4P HDR ASSEMBL



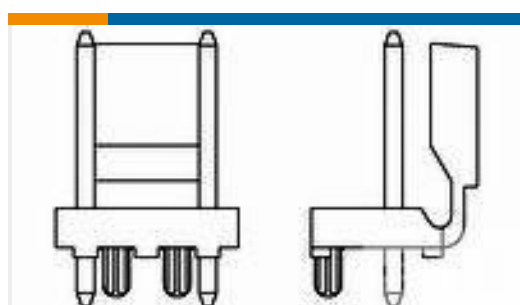
TE Part #282832-2  
TERMI-BLOK PIN HEAD 180 2P. 5



TE Part #1-353082-3  
DYNAMIC D-5200 HDR V ASSY 3P



TE Part #3-647071-5  
05P MTA156 HDR ASSY W/O#3



TE Part #2232554-2  
03P MTA156 POL HDR ASSY LF



TE Part #1-2232532-2  
2P, PL RAST 5 Tab Header,TH, Vertical



TE Part #2-2372858-2  
2P, RAST5 P-LOCK HEADER ASSY, OPPOSITE



TE Part #2-2372858-4  
4P, RAST5 P-LOCK HEADER ASSY, OPPOSITE



TE Part #2232532-2  
2P, PL RAST 5 Tab Header,TH, Vertical

## Documents



### Product Drawings

[4P, PL RAST 5 Tab Header, TH,Vertical](#)

English

---

### CAD Files

[3D PDF](#)

3D

Customer View Model

[ENG\\_CVM\\_CVM\\_2232532-4\\_B.2d\\_dxf.zip](#)

English

Customer View Model

[ENG\\_CVM\\_CVM\\_2232532-4\\_B.3d\\_igs.zip](#)

English

Customer View Model

[ENG\\_CVM\\_CVM\\_2232532-4\\_B.3d\\_stp.zip](#)

English

By downloading the CAD file I accept and agree to the [Terms and Conditions](#) of use.

---

### Product Specifications

[Product Specification](#)

English

---

### Agency Approvals

[UL Report](#)

English

[UL Report](#)

English