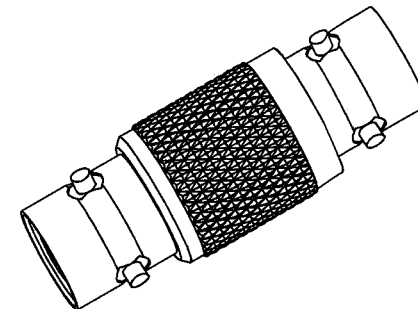


DATA CONTAINED IN THIS DOCUMENT IS PROPRIETARY TO TROMPETER ELECTRONICS INC. AND SHALL NOT BE DISCLOSED, COPIED OR USED FOR PROCUREMENT OR MANUFACTURE WITHOUT EXPRESS WRITTEN PERMISSION.

**REVISIONS**

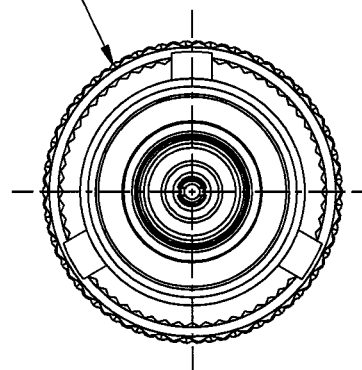
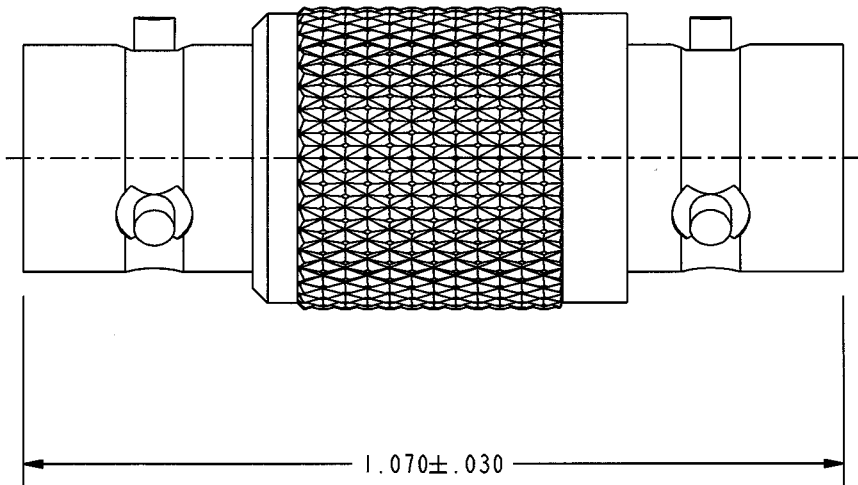
| REV | DESCRIPTIONS          | DATE     | APPROVED           |
|-----|-----------------------|----------|--------------------|
| B   | REVISED PER ECO 16772 | 10/31/08 | <i>[Signature]</i> |

**RED INDICATES ORIGINAL**



SCALE 2/1

Ø .400 MAXIMUM OVER KNURL



2. SUBMINIATURE CONCENTRIC TWINAX/TRIAX FEED THRU ADAPTER (TRS RECEPTACLE TYPE)

1. FINISH: TFS-A (NICKEL)

NOTES: UNLESS OTHERWISE SPECIFIED.

|  |  |  |                           |                         |                  |
|--|--|--|---------------------------|-------------------------|------------------|
| INTERPRET DRAWING PER MIL-STD-100. DIMENSIONS ARE IN INCHES AND INCLUDE FINISH THICKNESS UNLESS OTHERWISE SPECIFIED. |  | TOL: UNLESS SPECIFIED.<br>.XX ± .02<br>.XXX ± .010<br>ANGLE ± 1° |                           |                         |                  |
| DRN<br>M JOHNSON<br>10-14-08   | MATERIAL:                                  | TITLE:<br><br>AD158  |                           |                         |                  |
| CHK<br><i>[Signature]</i><br>10-29-08  | FINISH:                                    | SIZE<br><b>A</b>   | CAGE CODE<br><b>14949</b> | DRAWING NO.<br>305-0475 | REV.<br><b>B</b> |
| MANUF  | APPROVED<br><i>[Signature]</i><br>10/31/08 | SCALE<br>4/1   | DATE<br>6-25-82           | SHEET<br>IC             | DO NOT SCALE DWG |

|           |                            |
|-----------|----------------------------|
| NEXT ASSY | PROVE FILE NO.<br>305-0475 |
|-----------|----------------------------|