



Basic switch for position switch 3SE51 Metal enclosure 40 mm according to EN 50041 1 NO/1 NC quick action contacts with M12 connector, 5-pole, fixed with 2 LEDs, yellow/green, 24 V DC without actuator head Pin assignment: Pin1=21, Pin2=22 Pin3=13 and LED green, Pin4=14 and LED yellow, Pin5=ground LED

| | |
|--|---|
| product brand name | SIRIUS |
| product designation | Mechanical safety switches |
| product type designation | 3SE5 |
| manufacturer's article number | |
| • of the supplied switching contacts | 3SE5000-0CA00 |
| suitability for use safety switch | Yes |
| General technical data | |
| product function positive opening | Yes |
| insulation voltage rated value | 125 V |
| degree of pollution | class 3 |
| surge voltage resistance rated value | 0.8 kV |
| protection class IP | IP66/IP67 |
| shock resistance | |
| • according to IEC 60068-2-27 | 30g / 11 ms |
| vibration resistance according to IEC 60068-2-6 | 0.35 mm/5g |
| mechanical service life (switching cycles) typical | 15 000 000 |
| electrical endurance (switching cycles) with contactor 3RH11, 3RT1016, 3RT1017, 3RT1024, 3RT1025, 3RT1026 typical | 10 000 000 |
| Electrical operating cycles in one hour with contactor 3RH11, 3RT1016, 3RT1017, 3RT1024, 3RT1025, 3RT1026 | 6 000 |
| thermal current | 4 A |
| reference code according to IEC 81346-2 | B |
| continuous current of the C characteristic MCB | 1 A; for a short-circuit current smaller than 400 A |
| continuous current of the quick DIAZED fuse link | 4 A; for a short-circuit current smaller than 400 A |
| continuous current of the DIAZED fuse link gG | 4 A |
| active principle | mechanical |
| repeat accuracy | 0.05 mm |
| operating resource protection class | III (according to EN 60536) |
| Substance Prohibitance (Date) | 07/01/2006 |
| minimum actuating force in directions of actuation | 20 N |
| length of the sensor | 99.7 mm |
| width of the sensor | 40 mm |
| design of the switching contact | mechanical |
| number of NC contacts for auxiliary contacts | 1 |
| number of NO contacts for auxiliary contacts | 1 |
| operational current at DC-13 | |
| • at 24 V rated value | 3 A |
| design of the interface for safety-related communication | without |

| Enclosure | |
|---|--|
| design of the housing | block, narrow |
| material of the enclosure | metal |
| coating of the enclosure | cathodic dip coating |
| design of the housing according to standard | Yes |
| Drive Head | |
| design of the actuating element | Other, without, basic switch with LED and plug |
| design of the switching function | Positive opening with appropriate positive opening actuator head |
| circuit principle | snap-action contacts |
| number of switching contacts safety-related | 1 |
| Connections/ Terminals | |
| type of electrical connection | M12 plug, fixed |
| cable entry type | M12 plug |
| design of plug-in connection | M12 plug, 5-pole: Pin 1 = terminal 21, Pin 2 = 22, Pin 3 = 13/LED green, Pin 4 = 14/LED yellow, Pin 5 = ground LED |
| Communication/ Protocol | |
| design of the interface | without |
| Ambient conditions | |
| ambient temperature | |
| • during operation | -25 ... +60 °C |
| • during storage | -40 ... +90 °C |
| explosion protection category for dust | none |
| Supply voltage | |
| type of voltage of the supply voltage of the optional LED display | DC |
| supply voltage | |
| • of LED | 24 V |
| Installation/ mounting/ dimensions | |
| mounting position | any |
| fastening method | screw fixing |
| Certificates/ approvals | |
| General Product Approval | |



[Confirmation](#)



| Functional Safety/Safety of Machinery | Declaration of Conformity | Test Certificates | other |
|---------------------------------------|---------------------------|-------------------|-------|
|---------------------------------------|---------------------------|-------------------|-------|

[Type Examination Certificate](#)



[Type Test Certificates/Test Report](#)

[Confirmation](#)

Further information

Information- and Downloadcenter (Catalogs, Brochures,...)

<https://www.siemens.com/ic10>

Industry Mall (Online ordering system)

<https://mall.industry.siemens.com/mall/en/en/Catalog/product?mlfb=3SE5114-1CA00-1AF3>

Cax online generator

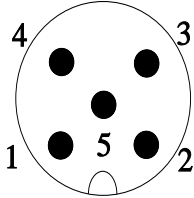
<http://support.automation.siemens.com/WW/CAXorder/default.aspx?lang=en&mlfb=3SE5114-1CA00-1AF3>

Service&Support (Manuals, Certificates, Characteristics, FAQs,...)

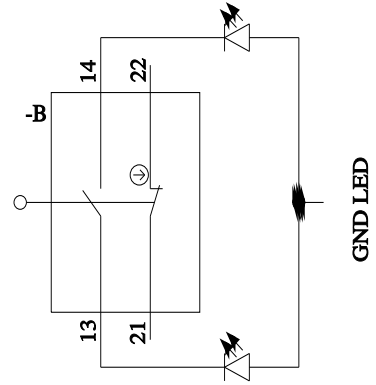
<https://support.industry.siemens.com/cs/ww/en/ps/3SE5114-1CA00-1AF3>

Image database (product images, 2D dimension drawings, 3D models, device circuit diagrams, EPLAN macros, ...)

http://www.automation.siemens.com/bilddb/cax_de.aspx?mlfb=3SE5114-1CA00-1AF3&lang=en



| | | | |
|---|-------------------|---|----------------------|
| 1 | BN = Brown | → | 21 |
| 2 | WH = White | → | 22 |
| 3 | BU = Blue | → | 13+LED-Green |
| 4 | BK = Black | → | 14+LED-Yellow |
| 5 | GY = Grey | → | GND LED |



last modified:

3/23/2022