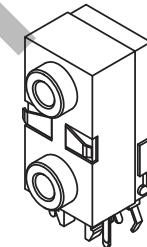
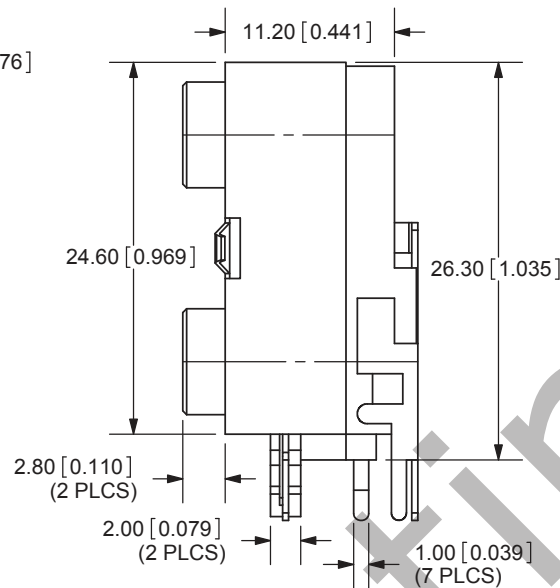
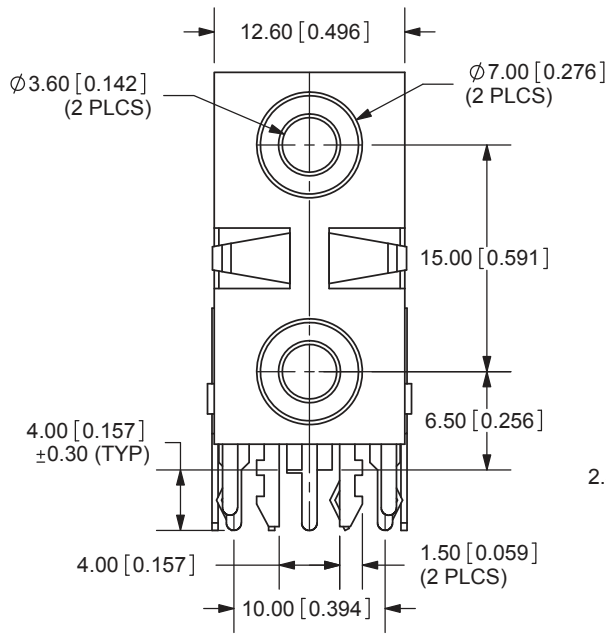
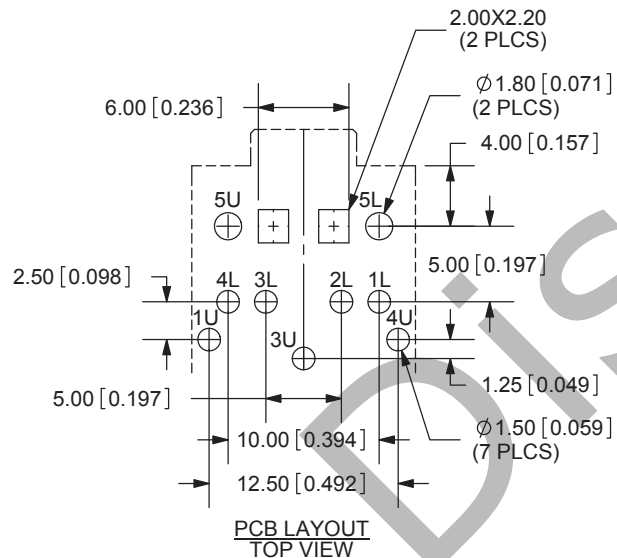
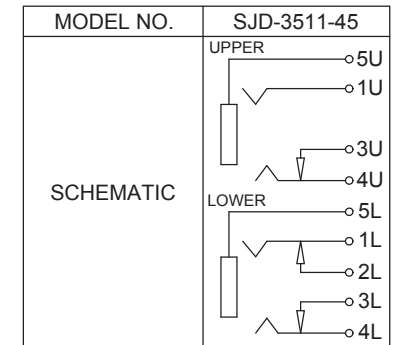


REV.	DESCRIPTION	DATE
A	NEW DRAWING	12/15/2005
B	Added dimensions	4/5/2006
C	housing material change	2/9/2011



Scale: 1:1



SPECIFICATIONS:

RATING: 16V DC @ 0.3A
 CONTACT RESISTANCE: 50m OHMS MAX
 INSULATION RESISTANCE: 100M OHMS MIN: 500V DC
 VOLTAGE WITHSTAND: 500V AC R.M.S. FOR 1 MINUTE
 LIFE: 5,000 CYCLES

TOLERANCE:
 X.X ±0.2mm
 X.XX ±0.1mm
 X.XXX ±0.05mm



	MATERIAL	PLATING
TERMINAL 1U	Brass	Tin
TERMINAL 3U	Brass	Tin
TERMINAL 4U	Brass	Tin
TERMINAL 5U	PBS	Tin
TERMINAL 1L	PBS	Tin
TERMINAL 2L	Brass	Tin
TERMINAL 3L	Brass	Tin
TERMINAL 4L	PBS	Tin
TERMINAL 5L	PBS	Tin
FRONT SHIELD	Brass	Tin
COVER	PBT HF + PA46 HF	
HOUSING	NY66	



V-INFINITY

20050 SW 112th Ave.
 Tualatin, OR 97062
 Phone: 503-612-2332
 866-372-1258
 Fax: 503-612-2382
 Website: www.v-infinity.com

TITLE:	DUAL STACK 3.5mm STEREO JACK w/ FNT SHLD	REV:	C
PART NO.	SJD-3511-45	UNITS:	MM [INCHES]
DRAWN BY:	ZRJ	APPROVED BY:	
		SCALE:	2:1

PC FILE NAME:
 SJD-3511-45

COPYRIGHT 2011 BY CUI INC.