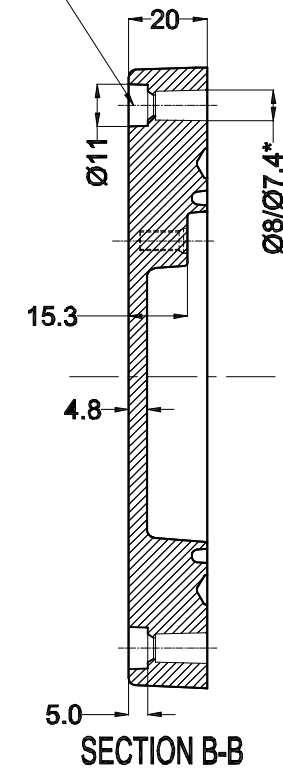


Cylinder Screw  
M6 x 25/10 similar to DIN 84



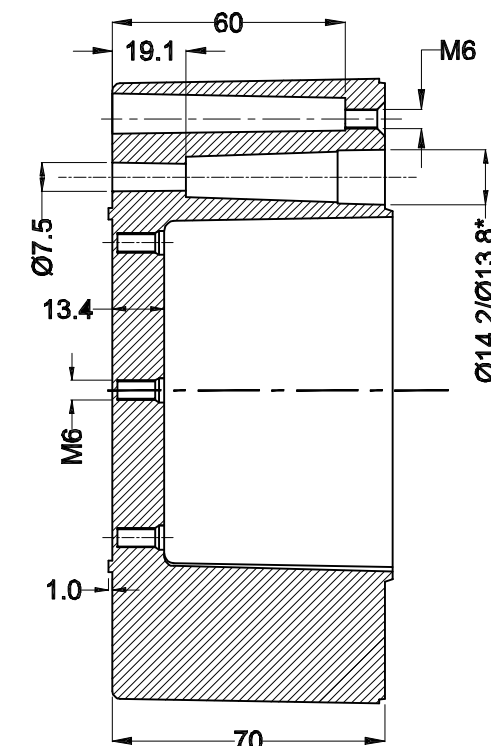
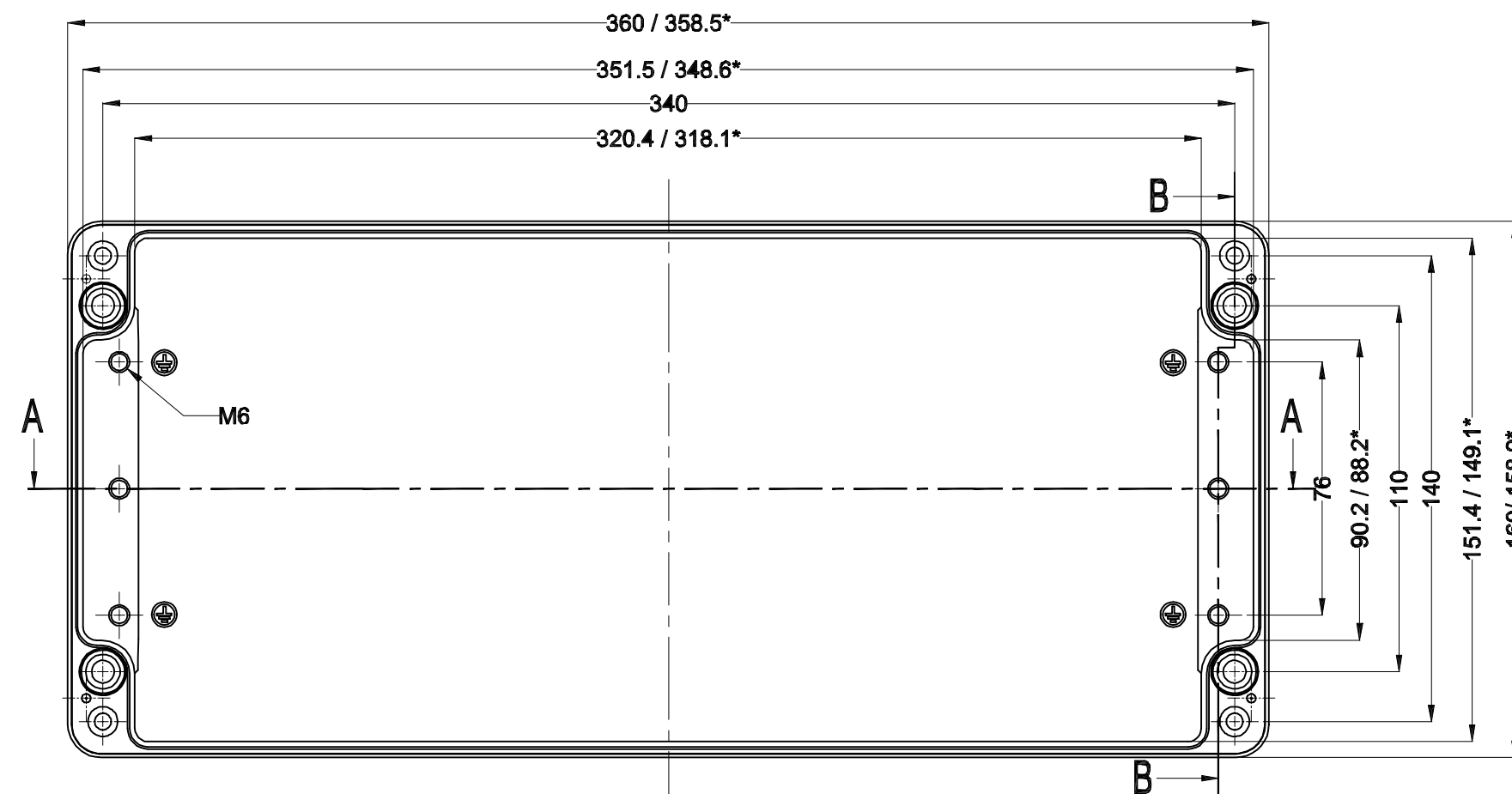
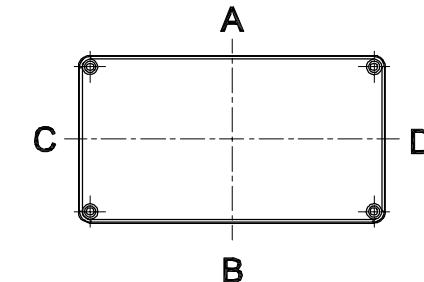
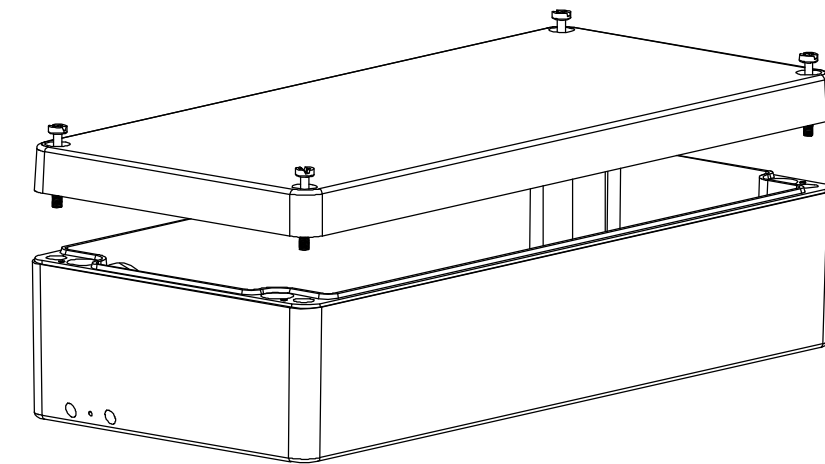
**GENERAL SPECIFICATION AND AREA CLASSIFICATION:**

1. MATERIAL COMPOSITION - AISI 12
2. DEGREE OF PROTECTION IP66 AS PER IEC 60529 : 1989 +A1 : 2000
3. SERVICE TEMPERATURE RANGE : - 50 °C to +135 °C
4. ALL DIMENSIONS ARE IN mm. UNLESS STATED OTHERWISE.
5. SURFACE WILL BE POWDER COATED.(RAL-7001)
6. THE JUNCTION BOX WILL BE MARKED WITH

7. II 2 G Ex e IIC Gb  
 II 2 D Ex tb IIIC Db IP 66  
0539  
DEMKO 13 ATEX 1327771U  
IECEX UL 13.0042U

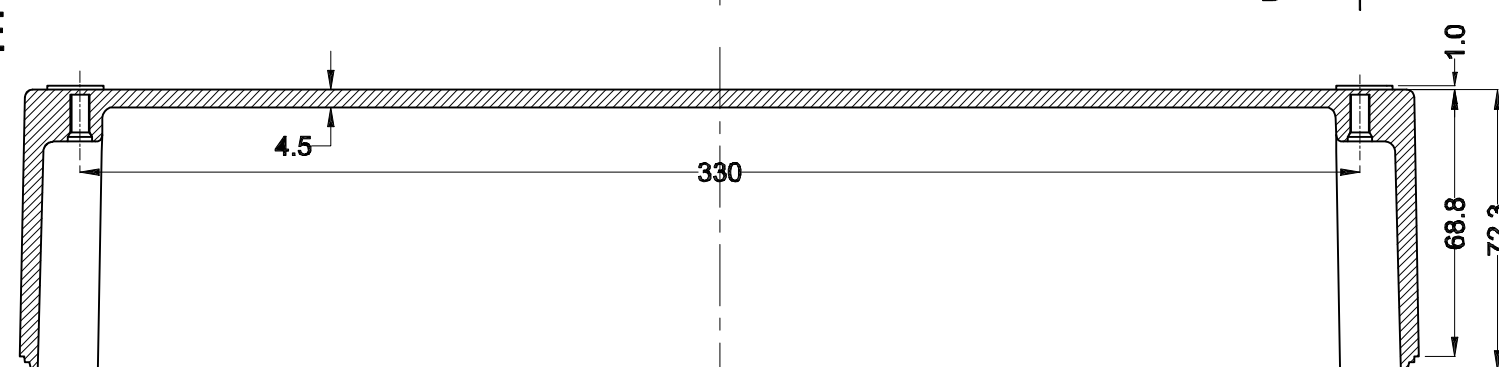
8. TRADE MARK

NOT TO BE REVISED WITHOUT NOTIFICATION TO THE ExCB/NOTIFIED BODY



SECTION B-B

BASE



SECTION A-A

Opening Detail (Size)	NO OF HOLES SIDE A/B	Min. Distance between the opening for Side A/B (mm)	NO OF HOLES SIDE C/D	Min. Distance between the opening for Side C/D (mm)	Opening Detail (Size) PG	NO OF HOLES SIDE A/B	Min. Distance between the opening for Side A/B (mm)	NO OF HOLES SIDE C/D	Min. Distance between the opening for Side C/D (mm)	Min. Distance of last opening from the enclosure end on side A/B (mm)	Min. Distance of last opening from the enclosure end on side C/D (mm)
M12	15	28	4	28	Pg.7	15	28	4	28	34	54
M16	15	28	4	28	Pg.9	15	28	4	28	34	54
M20	22	9	6	9	Pg.11	27	17	6	12	26	42
M25	13	24	3	15	Pg.13.5	22	9	6	9	24	38
M32	7	19	2	18	Pg.16	20	10	5	10	24	40
M40	5	24	1	-	Pg.21	10	22	2	12	32	40
M50	4	33	-	-	Pg.29	7	13	2	13	30	40
M63	-	-	-	-	Pg.36	5	18	1	-	27	42
-	-	-	-	-	Pg.42	4	26	-	-	33	-
-	-	-	-	-	Pg.48	-	-	-	-	-	-
-	-	-	-	-	-	-	-	-	-	-	-

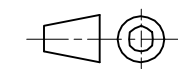
SR.NO.	PART NAME	DRAWING NO.	MATERIAL	QTY
5	SILICON GASKATE	JB-02GSK-15	SILICON	1
4	JB EXTERNAL EARTHING SET	-	AISI 304	1
3	LID MOUNTING SCREW	M6 JB-SCR-LD-00	AISI 304	4
2	JB-EARTHING SCREW	-	MS COPPER PLATED	2
1	JUNCTION BOX Ex-360 x160 x91	Ex-36016091	AISI 12	1

B.O.M.

FINISH:  
GRAY TEXTURE POWDERCOAT RAL 7001

OPTIONAL ACCESSORIES:  
STEEL MOUNTING PLATE #MPX-519  
ALUMINUM MOUNTING PLATE #MPX-519-A  
EXTERNAL BRACKETS KIT #MTX-6512

DRAWING FOR REFERENCE  
WE RESERVE THE RIGHT TO MAKE CHANGES TO OUR  
STANDARD PRODUCTS. PLEASE CONSULT WITH BUD INDUSTRIES  
PRIOR TO USING THIS DRAWING FOR DESIGN PURPOSE.



ALL DIMENSIONS ARE IN MM

PROPERTY OF RaychemRPG (P) LTD.  
ALL RIGHTS RESERVED AND/OR PHOTOCOPYING THIS DOCUMENT  
TO A PERSON WITHOUT RaychemRPG (P)LTD. WRITTEN AUTHORIZATION IS PROHIBITED

	PART NAME	EXPLOSION PROOF ENCLOSURE	PART No.	ATX-10519 (Ex-AJB-36016090)	REV. DATE	10-27-15
--	-----------	---------------------------	----------	--------------------------------	-----------	----------