

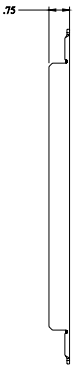
# PART No. EPGDH1624

for more information visit

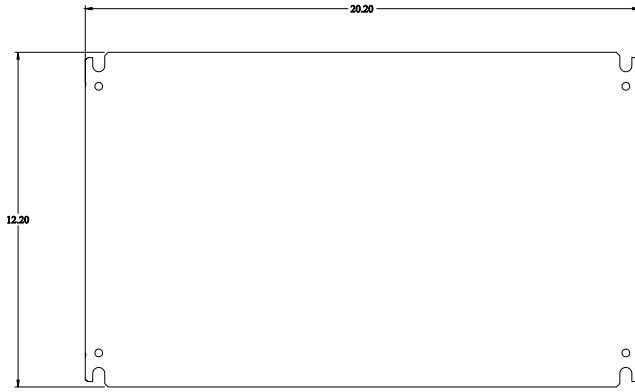
[www.hammfg.com](http://www.hammfg.com)

Data subject to change without notice

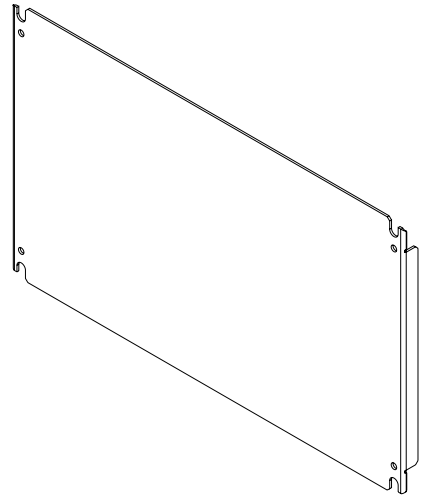
Isometric drawing Not to Scale



**SIDE VIEW**



**FRONT VIEW**



**ISOMETRIC VIEW**