

6

5

4

3

2

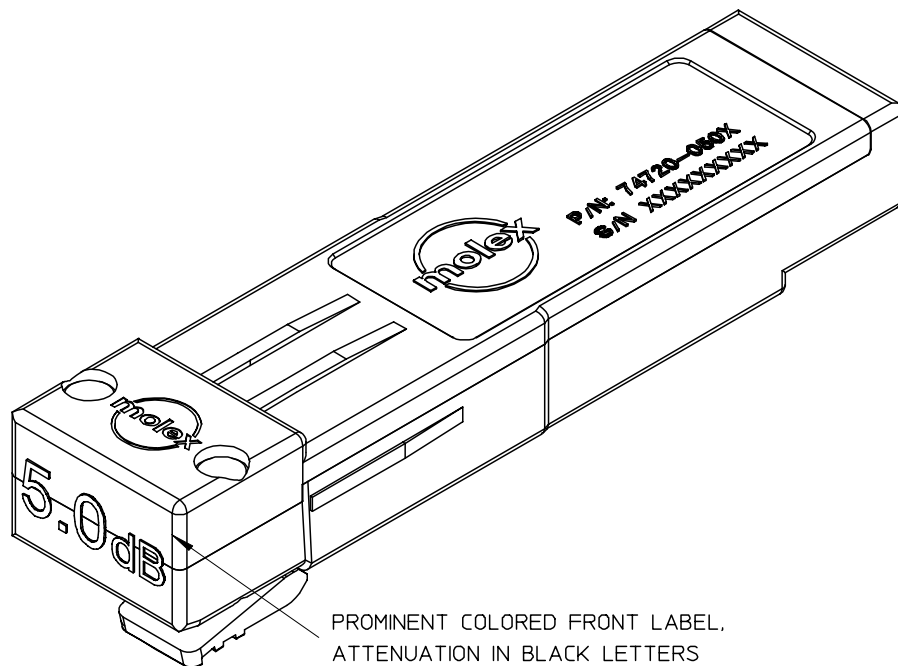
1

D

C

B

A



PROMINENT COLORED FRONT LABEL,
ATTENUATION IN BLACK LETTERS

1. Mates to SFP components which comply to standard MSA dimension specifications.
2. Support for:
 - Fibre channel data to 2.125 Gbps
 - Gigabit Ethernet data rates to 2.5 Gbps
 - infiniband data rates to 2.5 Gbps
3. Robust zinc die cast body, bright nickel plated. Mounts belly-to-belly using 0.093"+ boards.
4. Raised wedges assure electrical contact with surrounding EMI cage assembly.
5. Spring loaded latch releases with simple squeeze, and pull action.
6. 100 ohm impedance.
7. Supports serial ID functionality.
8. 3.3V or 5.0V supply.
9. Hot pluggable.

D

C

B

A

PART NUMBER	LABEL COLOR	PART DESCRIPTION
74720-0503	LIGHT GREEN	SERIAL ID, WITH 5.0 dB ATTENUATION
74720-0502	LIGHT BLUE	SERIAL ID, WITH 0.0 dB ATTENUATION
74720-0501	YELLOW	SERIAL ID, WITH 3.5 dB ATTENUATION

ENTER DESCRIPTION EC NO: USY2006-0271 DRWN: JERWIN CHKD: KLOYD APPR: KLOYD	2006/02/21 2006/03/03 2006/03/09	DESCRIPTION REV	QUALITY SYMBOLS ▼=0 ▽=0	GENERAL TOLERANCES (UNLESS SPECIFIED)		DIMENSION STYLE		SCALE	DESIGN UNITS	THIRD ANGLE PROJECTION
						MM/IN		2:1	METRIC	
						DRAWN BY DATE		TITLE		
						CHECKED BY DATE		SFP LOOPBACK ADAPTER		
				APPROVED BY DATE		MOLEX INCORPORATED				
				ANGULAR ±1/2°		MATERIAL NO.		DOCUMENT NO.		
				DRAFT WHERE APPLICABLE MUST REMAIN WITHIN DIMENSIONS		SEE CHART		SD-74720-0501		
				SIZE		THIS DRAWING CONTAINS INFORMATION THAT IS PROPRIETARY TO MOLEX INCORPORATED AND SHOULD NOT BE USED WITHOUT WRITTEN PERMISSION		SHEET NO.		
								1 OF 3		

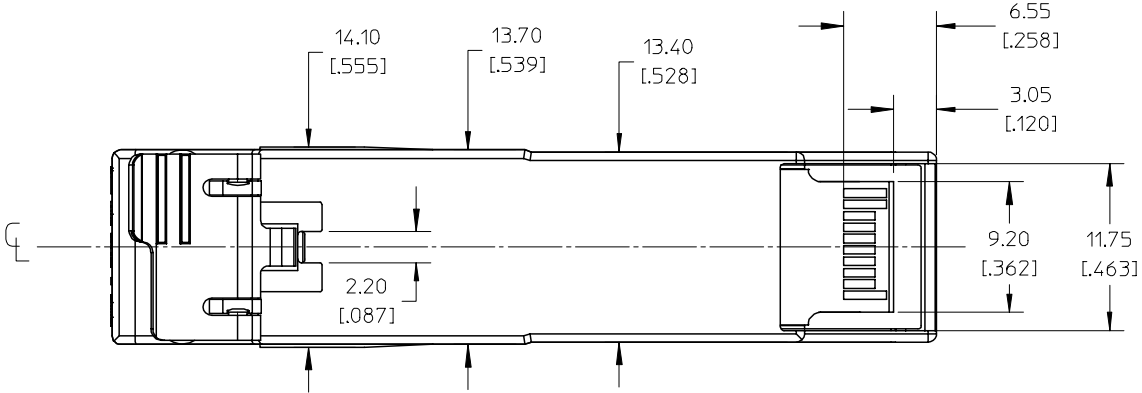
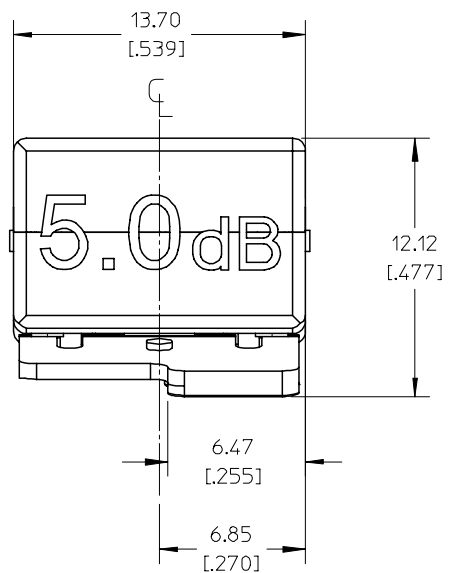
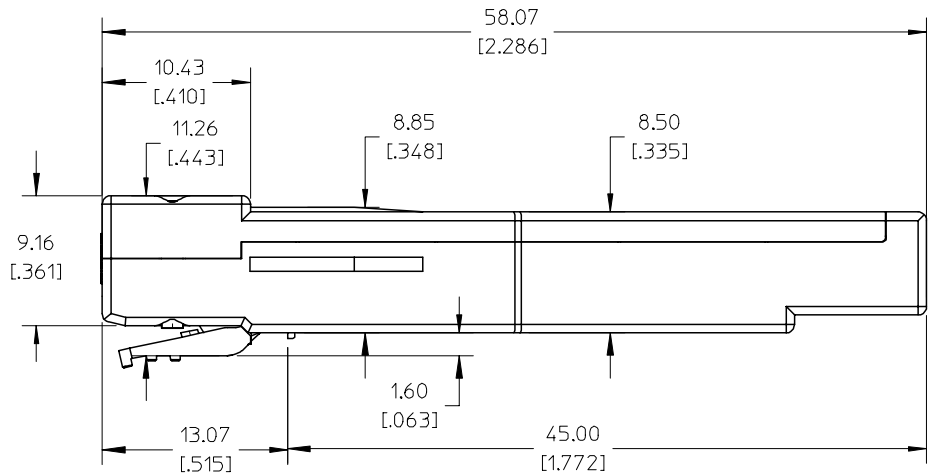
5

4

3

2

1



▲ ATTENUATION LEVEL FOR 74720-0502 SHOWN AS EXAMPLE.

ENTER DESCRIPTION EC NO: USY2006-0271 DRWN: JERWIN CHKD: KLOYD APPR: KLOYD	2006/02/21	DESCRIPTION REV
	2006/03/03	
	2006/03/09	

QUALITY SYMBOLS
▽=0
▽=0

GENERAL TOLERANCES (UNLESS SPECIFIED)	mm	INCH
4 PLACES	± ---	± ---
3 PLACES	± ---	± .005
2 PLACES	± 0.13	± ---
1 PLACE	± ---	± ---
ANGULAR ± 1/2°		
DRAFT WHERE APPLICABLE MUST REMAIN WITHIN DIMENSIONS		

DIMENSION STYLE MM/IN	
DRAWN BY DIRKERS	DATE 2002/05/01
CHECKED BY BRUSSELL	DATE 2002/05/01
APPROVED BY RUSSELL	DATE 2002/05/01
MATERIAL NO. SEE CHART	
SIZE A	THIS DRAWING CONTAINS INFORMATION THAT IS PROPRIETARY TO MOLEX INCORPORATED AND SHOULD NOT BE USED WITHOUT WRITTEN PERMISSION

SCALE 2:1	DESIGN UNITS METRIC	THIRD ANGLE PROJECTION
TITLE SFP LOOPBACK ADAPTER		
MOLEX INCORPORATED		
DOCUMENT NO. SD-74720-0501	SHEET NO. 2 OF 3	

6

5

4

3

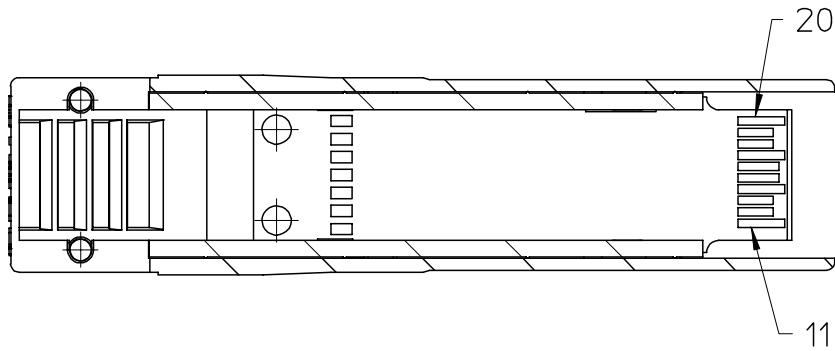
2

1

D

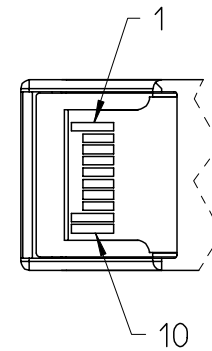
D

Top View
Cutaway



C

C



Bottom
View

B

B

Gnd T	20	1	Gnd T
TD-	19	2	Tx Fault
TD+	18	3	Tx Disable
Gnd T	17	4	MOD-DEF(2)
VccT	16	5	MOD-DEF(1)
VccR	15	6	MOD-DEF(0)
Gnd R	14	7	Rate Select
RD+	13	8	LOS
RD-	12	9	Gnd R
Gnd R	11	10	Gnd R

A

A

ENTER DESCRIPTION EC NO: USY2006-0271 DRAWN: JERWIN 2006/02/21 CHKD: KKLLOYD 2006/03/03 APPR: KKLLOYD 2006/03/09 D	QUALITY SYMBOLS DESCRIPTION	GENERAL TOLERANCES (UNLESS SPECIFIED)		DIMENSION STYLE MM/IN		SCALE 2:1	DESIGN UNITS METRIC	THIRD ANGLE PROJECTION		
			mm	INCH	DRAWN BY DIRKERS	DATE 2002/05/01	TITLE SFP LOOPBACK ADAPTER			
		4 PLACES	± ---	± ---	CHECKED BY BRUSSELL	DATE 2002/05/01				
		3 PLACES	± ---	± .005	APPROVED BY RUSSELL		DATE 2002/05/01	MOLEX INCORPORATED DOCUMENT NO. SD-74720-0501 SHEET NO. 3 OF 3		
2 PLACES	± 0.13	± ---	MATERIAL NO. SEE CHART							
1 PLACE	± ---	± ---	ANGULAR ± 1/2°			THIS DRAWING CONTAINS INFORMATION THAT IS PROPRIETARY TO MOLEX INCORPORATED AND SHOULD NOT BE USED WITHOUT WRITTEN PERMISSION				
DRAFT WHERE APPLICABLE MUST REMAIN WITHIN DIMENSIONS										

5

4

3

2

1