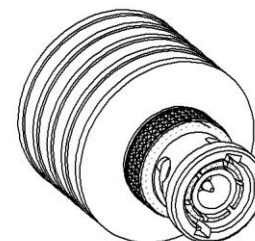
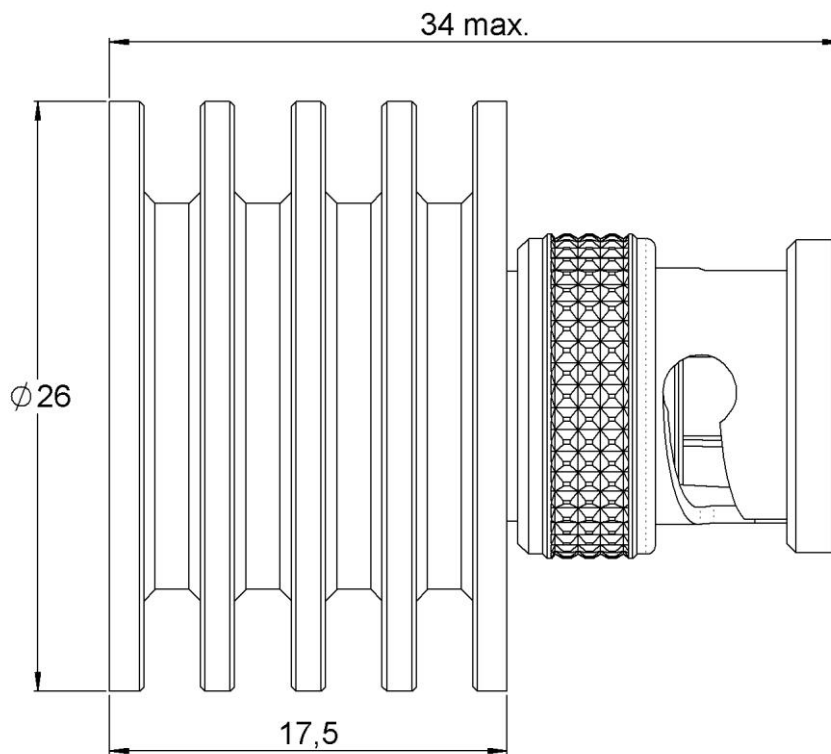
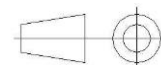


| | | | |
|----------|-----------------|---------------|-------------------------------|
| PAGE 1/2 | ISSUE 27-04-16A | SERIES CHARGE | PART NUMBER R404510000 |
|----------|-----------------|---------------|-------------------------------|



All dimensions are in mm.



| COMPONENTS | MATERIALS | PLATING (µm) |
|----------------|------------------------|-------------------------------|
| Body | BRASS | NICKEL 5 |
| Center contact | BRASS | GOLD 2.5 OVER NICKEL 1 |
| Outer contact | - | - |
| Insulator | PTFE | |
| Gasket | SILICONE RUBBER | |
| Substrate | ALUMINA | |
| Resistor | THICK FILM | |
| Others parts | ALUMINIUM | BLACK ANODIZATION |

| | | | |
|----------|------------------------|-------------------------|-------------------------------|
| PAGE 2/2 | ISSUE 27-04-16A | SERIES CHARGE | PART NUMBER R404510000 |
|----------|------------------------|-------------------------|-------------------------------|

ELECTRICAL CHARACTERISTICS

| | | | |
|-----------------|---------------|--------------|--------------|
| Frequency (GHz) | DC - 2 | 2 - 4 | 4 - 8 |
| V.S.W.R (≤) | 1.10 | 1.15 | 1.25 |

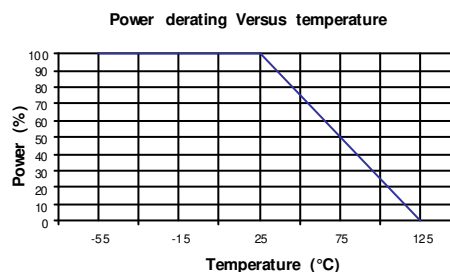
| | | |
|------------------------------|---------------|-----------------------|
| Operating Frequency Range | DC - 8 | GHz |
| Impedance | 50 | Ω |
| DC Resistance | 50 | Ω ± 5% |
| Peak power at 25°C (1μs, 1%) | 4000 | W |
| Average power at 25°C | 6 | W (Free Air Cooled) |
| | | W (Conduction Cooled) |

MECHANICAL CHARACTERISTICS

| | | | |
|------------|----------------|-------------|--------------------|
| Connectors | BNC | Male | MIL C 39012 |
| Weight | 25,3300 | g | |

ENVIRONMENTAL CHARACTERISTICS

| | | |
|-----------------------------|-----------------|----|
| Operating temperature range | -55/+125 | °C |
| Storage temperature range | -55/+125 | °C |



SPECIFICATION

OTHER CHARACTERISTICS