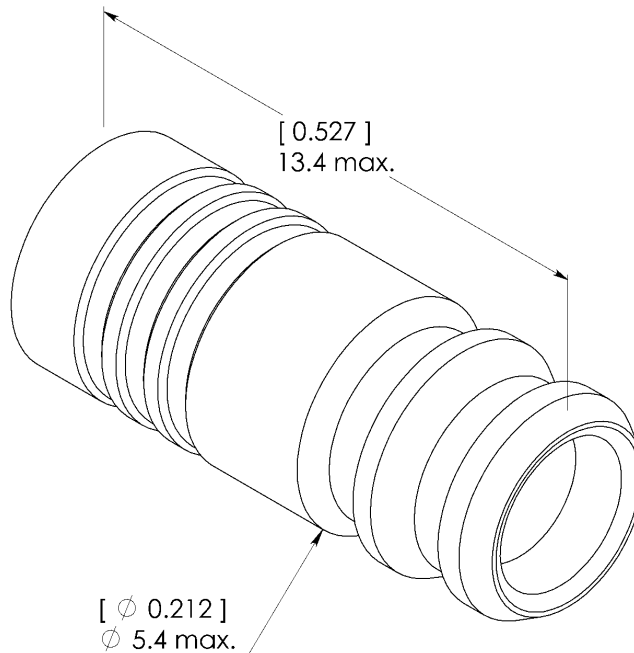


Original dimension in mm [inch]



GENERAL

- Compatible with SC and FC connectors.
- Suitable for use with cable sizes Ø 2.8 mm to Ø 3.2mm.
- Compatible with BELLCORE GR 326 specification.
- Brass, nickel plated.
- Crimping tool hexagon 4.51mm [0.17755]

CREATION					RADIALL 101, rue P. Hoffmann 93116 ROSNY/BOIS FRANCE Tel : (33) 0149353535 Fax : (33) 0148546363
N°:					
PEN/EP : EPF 98 53					
Name: CAUSSE					
Date: 06 02 99					
Appr.:	Issue	Revisions	Name	Appr.	