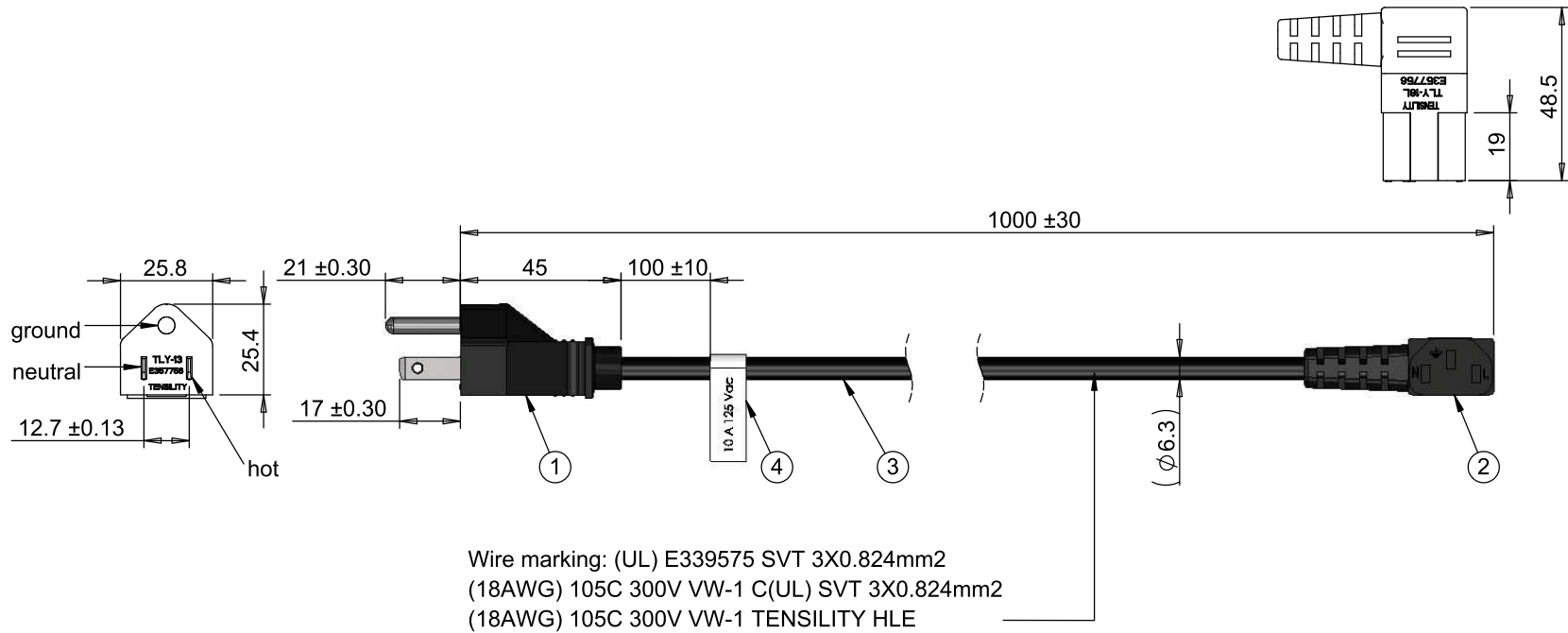



ITEM NO.	PART NUMBER	DESCRIPTION	QTY.	COMPONENT NOTES
1	TLY-13	NEMA 5-15P	1	black overmold
2	TLY-18L	C13 female, 90°	1	black overmold
3	30-00244	Wire, 3C, 18 AWG, UL SVT, 300V, 105C, 6.3 mm, VW-1, PVC	1	
4	Label	Adhesive flag, 15x100 mm	1	white with black font



Wiring Diagram		
TLY-13	wire color	TLY-18L
hot	black	line
neutral	white	neutral
ground	green	ground

**Notes:**  
Electrical requirements: 10 A at 125 Vac

Revision: A	Date: 12/20/2012	Description: Initial release	Prepared: DN <small>Digitally signed by DN Date: 2017.01.25 07:40:52 -08'00'</small>	Notes: RoHS compliant Function test: no open, no short circuit, no intermittent	<h1>TENSILITY</h1> tel 1.541.323.3228 800 877.670.7118 fax 1.541.323.4202 web tensility.com
			Verified: PS <small>Digitally signed by PS Date: 2017.01.26 15:00:44 -08'00'</small>		
			Dimensions are in millimeters. Tolerances: X: ± 0.5 mm X.X: ± 0.3 mm X.XX: ± 0.05 mm	Description: Ac cord, 1000 mm, U.S, NEMA 5-15P plug, TLY-13 to 90° C13, TLY-18L, 18 AWG, SVT wire, 30-00244	Size: A Part number: 11-00023
					Scale: 1:2  Sheet 1 of 1