

CTDSS0805F

Series

From 2.2µH to 1,000µH



SPECIFICATIONS

Part numbers indicate available inductance tolerance.
K = ±10%, L = ±15%, M = ±20%

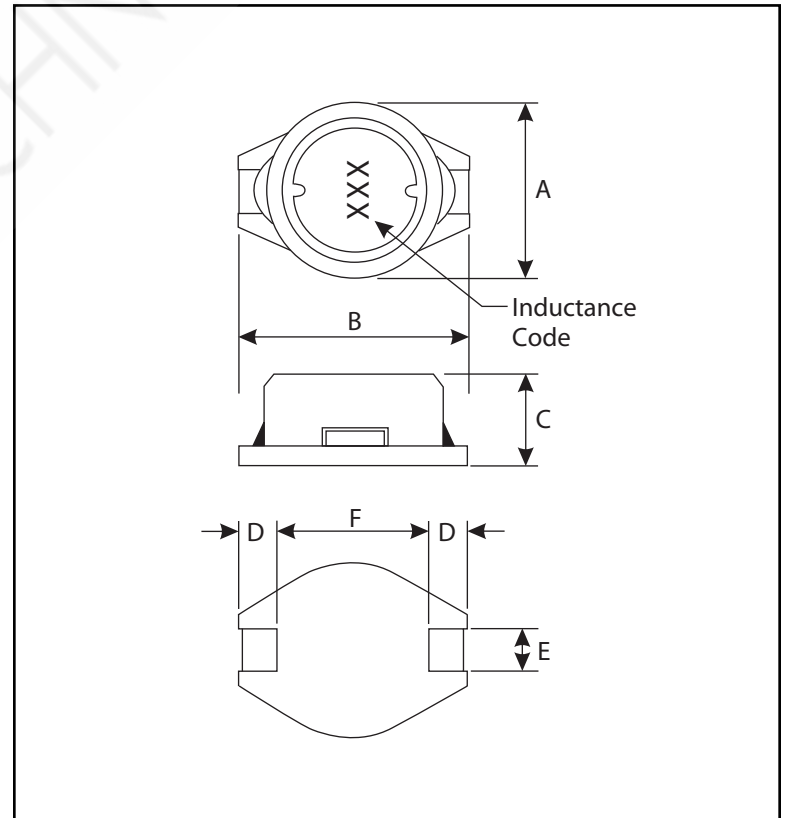
Part Number	Inductance (µH)	L Test Freq. (kHz)	Q Fact. Nom.	Q Test Freq. (MHz)	SRF Nom. (MHz)	DCR Max. (Ω)	Rated DC Max. (A)
CTDSS0805F-2R2M	2.2	1.0	18	7.96	75.0	.040	2.50
CTDSS0805F-3R9M	3.9	1.0	20	7.96	50.0	.055	2.10
CTDSS0805F-5R6M	5.6	1.0	20	7.96	40.0	.065	1.95
CTDSS0805F-8R2M	8.2	1.0	19	7.96	32.0	.080	1.75
CTDSS0805F-100M	10	1.0	40	2.52	28.0	.100	1.50
CTDSS0805F-120M	12	1.0	40	2.52	24.0	.120	1.40
CTDSS0805F-150M	15	1.0	40	2.52	22.0	.140	1.30
CTDSS0805F-180L	18	1.0	40	2.52	19.0	.160	1.20
CTDSS0805F-220L	22	1.0	38	2.52	17.0	.180	1.10
CTDSS0805F-270L	27	1.0	35	2.52	15.5	.200	1.00
CTDSS0805F-330L	33	1.0	40	2.52	13.5	.240	0.92
CTDSS0805F-390L	39	1.0	35	2.52	12.0	.260	0.84
CTDSS0805F-470L	47	1.0	32	2.52	10.5	.280	0.75
CTDSS0805F-560K	56	1.0	30	2.52	9.50	.380	0.68
CTDSS0805F-680K	68	1.0	28	2.52	9.00	.440	0.60
CTDSS0805F-820K	82	1.0	28	2.52	8.50	.550	0.54
CTDSS0805F-101K	100	1.0	45	.796	7.50	.600	0.50
CTDSS0805F-121K	120	1.0	42	.796	7.00	.750	0.45
CTDSS0805F-151K	150	1.0	39	.796	6.50	.900	0.40
CTDSS0805F-181K	180	1.0	41	.796	4.80	1.05	0.35
CTDSS0805F-221K	220	1.0	38	.796	4.50	1.18	0.30
CTDSS0805F-271K	270	1.0	37	.796	4.20	1.40	0.27
CTDSS0805F-331K	330	1.0	36	.796	3.80	1.80	0.24
CTDSS0805F-471K	470	1.0	34	.796	3.50	2.25	0.20
CTDSS0805F-561K	560	1.0	32	.796	3.00	3.00	0.18
CTDSS0805F-681K	680	1.0	32	.796	2.80	3.40	0.17
CTDSS0805F-821K	820	1.0	35	.796	2.50	4.00	0.16
CTDSS0805F-102K	1000	1.0	35	.252	2.20	5.00	0.15

CHARACTERISTICS

- Description:** SMD (shielded) power Inductor.
- Applications:** Ideal for high performance DC/DC converter applications, computers, LCD displays and telecommunication equipment. Especially those requiring shielding and low profiles
- Operating Temperature:** -40°C to +125°C (Temp. rise included)
- Storage Temperature:** -40°C to +125°C
- Inductance Tolerance:** ±10%, ±15%, ±20%
- Testing:** Inductance and Q are tested on an HP4284A or HP4285 at specified frequency
- Packaging:** Tape & Reel
- Marking:** Parts are marked with inductance code
- Rated Current:** Based on temperature rise
- Temperature Rise:** 40°C Max. @ rated DC
- Resistance to Solder Heat:** 260°C 10 sec.
- Miscellaneous:** **RoHS Compliant.** Magnetically shielded
- Additional Information:** Additional electrical & physical information available upon request.
- Samples available. See website for ordering information.**

PHYSICAL DIMENSIONS

Size	A	B	C	D	E	F
mm	8.0±0.3	10.5±0.3	4.5±0.3	2.1±0.2	2.0±0.2	6.0±0.3
inches	0.31±0.012	0.41±0.012	0.18±0.012	0.08±0.008	0.08±0.008	0.24±0.012



PAD LAYOUT

