



## Main

|                               |   |
|-------------------------------|---|
| Range of Product              | Telemecanique Photoelectric sensors XU  |
| Series name                   | Application, materials handling   |
| Electronic sensor type        | Photo-electric sensor   |
| Sensor name                   | XUY   |
| Sensor design                 | Compact   |
| Detection system              | Diffuse with background suppression   |
| Material                      | Plastic   |
| Type of output signal         | Discrete  |
| Supply circuit type           | DC  |
| Wiring Technique              | 4-wire  |
| Discrete output type          | PNP and NPN   |
| Discrete output function      | 1 NO or 1 NC programmable   |
| Electrical connection         | 1 male connector M8, 4 pins   |
| Product Specific Application  | Control of level<br>Monitoring of small parts on production machine<br>Monitoring for crack on a component<br>Suppression of a background<br>Detection of components on a printed circuit |
| Emission                      | Red laser, pulsed 0.000026575 in (675 nm) - class 2   |
| [Sn] nominal sensing distance | 1.97...11.81 in (50...300 mm)   |

## Complementary

|                                       |  |
|---------------------------------------|--|
| Enclosure Material                    | Glass impregnated nylon  |
| Lens material                         | PMMA   |
| Spot diameter                         | 0 in (0 mm) manual adjustment  |
| Minimum object diameter for detection | 0.02 in (0.5 mm)   |
| Output Type                           | Solid state  |
| Status LED                            | Output state 1 LED green)<br>NC function 1 LED none)<br>NO function 1 LED red)<br>Time delay active 1 LED red) |
| [Us] rated supply voltage             | 12...24 V DC reverse polarity protection   |
| Supply voltage limits                 | 10...30 V DC   |
| Switching capacity in mA              | 100 mA overload and short-circuit protection)  |
| Switching frequency                   | > 5 kHz  |
| Maximum voltage drop                  | <2 V closed state)   |
| Current consumption                   | 35 mA  |
| Maximum delay response                | 40 ms output circuit depending on wiring   |
| Maximum delay recovery                | 150 μs   |
| Setting-up                            | Manual adjustment of focusing  |
| Net Weight                            | 0.18 lb(US) (0.081 kg)   |

The information provided in this documentation contains general descriptions and/or technical characteristics of the performance of the products contained herein. This documentation is not intended as a substitute for and is not to be used for determining suitability or reliability of these products for specific user applications. It is the duty of any such user or integrator to perform the appropriate and complete risk analysis, evaluation and testing of the products with respect to the relevant specific application or use thereof. Neither Schneider Electric Industries SAS nor any of its affiliates or subsidiaries shall be responsible or liable for misuse of the information contained herein.

## Environment

|                                       |  |
|---------------------------------------|--|
| Product Certifications                | CULus<br>CE  |
| Ambient Air Temperature for Operation | 32...122 °F (0...50 °C)                              |
| Ambient Air Temperature for Storage   | -4...140 °F (-20...60 °C)                            |
| Immunity to ambient light             | 10000 Lux natural light<br>500 lux incandescent bulb |
| IP degree of protection               | IP65 IEC 60529                                       |

## Ordering and shipping details

|                       |                              |
|-----------------------|------------------------------|
| Category              | 22481-SENSORS, PHOTOELECTRIC |
| Discount Schedule     | DS2                          |
| GTIN                  | 3389119007276                |
| Nbr. of units in pkg. | 1                            |
| Package weight(Lbs)   | 2.54 oz (72.0 g)             |
| Returnability         | No                           |
| Country of origin     | FR                           |

## Packing Units

|                              |                        |
|------------------------------|------------------------|
| Unit Type of Package 1       | PCE                    |
| Package 1 Height             | 1.34 in (3.4 cm)       |
| Package 1 width              | 5.04 in (12.8 cm)      |
| Package 1 Length             | 2.91 in (7.4 cm)       |
| Unit Type of Package 2       | S02                    |
| Number of Units in Package 2 | 35                     |
| Package 2 Weight             | 6.33 lb(US) (2.873 kg) |
| Package 2 Height             | 5.91 in (15 cm)        |
| Package 2 width              | 11.81 in (30 cm)       |
| Package 2 Length             | 15.75 in (40 cm)       |

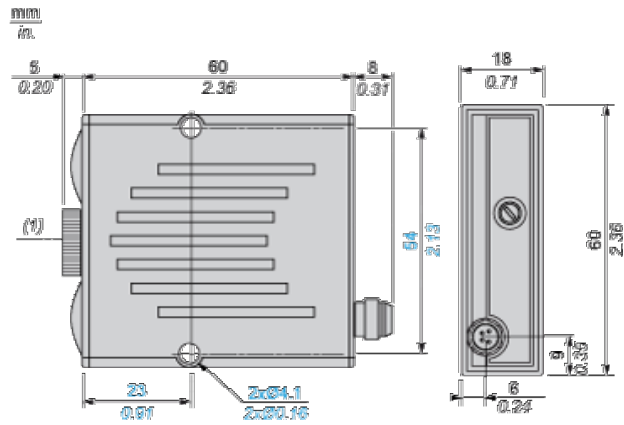
## Offer Sustainability

|                            |   |
|----------------------------|---|
| Sustainable offer status   | Green Premium product   |
| California proposition 65  | WARNING: This product can expose you to chemicals including: Diisononyl phthalate (DINP), which is known to the State of California to cause cancer, and Di-isodecyl phthalate (DIDP), which is known to the State of California to cause birth defects or other reproductive harm. For more information go to <a href="http://www.P65Warnings.ca.gov">www.P65Warnings.ca.gov</a> |
| REACH Regulation           | <a href="#">REACH Declaration</a>   |
| EU RoHS Directive          | Pro-active compliance (Product out of EU RoHS legal scope) <a href="#">EU RoHS Declaration</a>  |
| Mercury free               | Yes   |
| RoHS exemption information | <a href="#">Yes</a>   |
| Environmental Disclosure   | <a href="#">Product Environmental Profile</a>   |
| Circularity Profile        | <a href="#">End Of Life Information</a>   |

## Contractual warranty

|          |           |
|----------|-----------|
| Warranty | 18 months |
|----------|-----------|

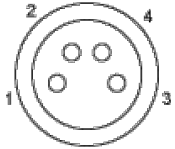
Dimensions



(1) Optical axis of laser

## Wiring Schemes

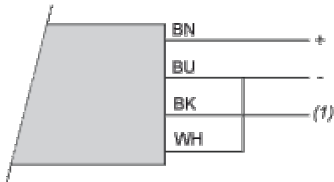
### M8 Connector



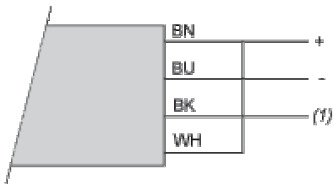
- 1 : Brown
- 2 : White
- 3 : Blue
- 4 : Black

### NO Function

Without time delay



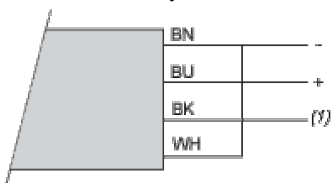
With 40 ms time delay



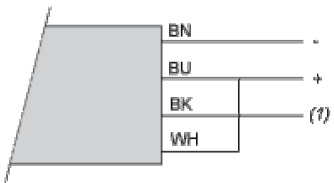
- BN : Brown
- WH : White
- BU : Blue
- BK : Black
- (1) Output

### NC Function

Without time delay



With 40 ms time delay



- BN : Brown
- WH : White
- BU : Blue
- BK : Black
- (1) Output