

FL-PP-RJ45-SCC/SC045 - Patch panels



2904577

<https://www.phoenixcontact.com/us/products/2904577>

Please be informed that the data shown in this PDF document is generated from our online catalog. Please find the complete data in the user documentation. Our general terms of use for downloads are valid.



Cable sharing module, two RJ45 jacks with Ethernet assignment (cable outlet on the top) to 8 spring-cage connection terminal blocks, CAT5e, 10/100 Mbps, DIN rail mounting, IP20, option of shield contacting on DIN rail via jumpers

Product description

Ethernet patch panels enable quick and easy connection between the field cabling and control cabinet cabling. The passive termination panels are a convenient alternative to the on-site assembly of RJ45 connectors.

Your advantages

- Safe shield connection to ground potential
- CAT5e
- 10/100 Mbps
- Mounting on a DIN rail
- Cable sharing adapter
- Y adapter
- Easy use of one cable for various services
- Optional shield connection via jumpers

Commercial data

Item number	2904577
Packing unit	1 pc
Minimum order quantity	1 pc
Sales key	DN07
Product key	DNC331
Catalog page	Page 363 (C-6-2019)
GTIN	4046356864541
Weight per piece (including packing)	112.4 g
Weight per piece (excluding packing)	106.4 g
Customs tariff number	85369010
Country of origin	DE

Technical data

Product properties

Product type	Patch panel
--------------	-------------

Insulation characteristics

Insulation	Basic insulation
------------	------------------

Insulation characteristics: Air clearances and creepage distances

Insulation	Basic insulation
Overvoltage category	II
Pollution degree	2

Electrical properties

Air clearances and creepage distances

Rated insulation voltage	50 V
Rated surge voltage	0.5 kV

Interfaces

Data: Ethernet interface, 10/100Base-T(X) in accordance with IEEE 802.3

Serial transmission speed	10/100 Mbps
Connection method	Spring-cage connection
No. of channels	1
Pin assignment	1, 2, 3, 6 4, 5, 7, 8
Transmission length	100 m (including patch cables)
Conductor cross section flexible max.	1 mm ²
Conductor cross section flexible min.	0.2 mm ²
Conductor cross section, rigid max.	1.5 mm ²
Conductor cross section, rigid min.	0.2 mm ²
Single-wire/terminal point, rigid AWG max.	16
Single-wire/terminal point, rigid AWG min.	24

Data: Ethernet interface, 10/100Base-T(X) in accordance with IEEE 802.3

Connection method	RJ45 CAT5e
No. of channels	1
Pin assignment	1, 2, 3, 6 1, 2, 3, 6

Dimensions

Width	56 mm
Height	90 mm
Depth	51 mm

2904577

<https://www.phoenixcontact.com/us/products/2904577>

Cable/line

External cable diameter ()	6 mm ... 10 mm
Cable impedance	100 Ω

Mechanical properties

Mechanical data

Insertion/withdrawal cycles	≤ 200
-----------------------------	-------

Environmental and real-life conditions

Ambient conditions

Degree of protection	IP20
Ambient temperature (operation)	-10 °C ... 50 °C

Approvals

Corrosive gas test

Identification	ISA-S71.04-1985 G3 Harsh Group A
----------------	----------------------------------

Standards and regulations

Air clearances and creepage distances

Standards/regulations	DIN EN 50178
-----------------------	--------------

Mounting

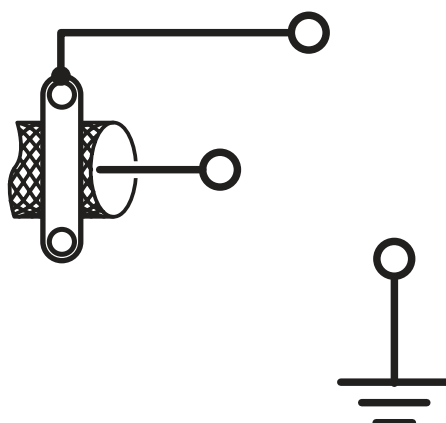
Mounting type	DIN rail mounting
Mounting position	any

2904577

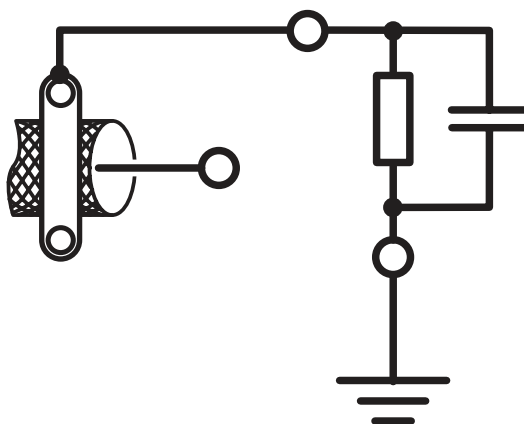
<https://www.phoenixcontact.com/us/products/2904577>

Drawings

Circuit diagram



Circuit diagram

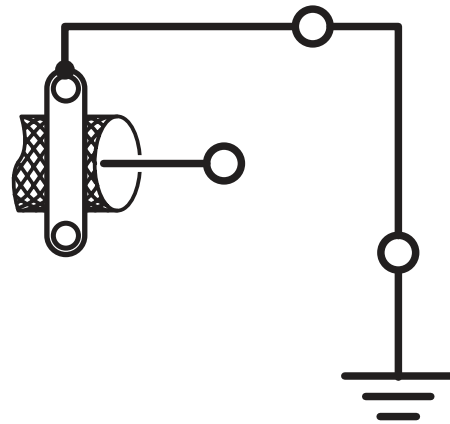


FL-PP-RJ45-SCC/SC045 - Patch panels

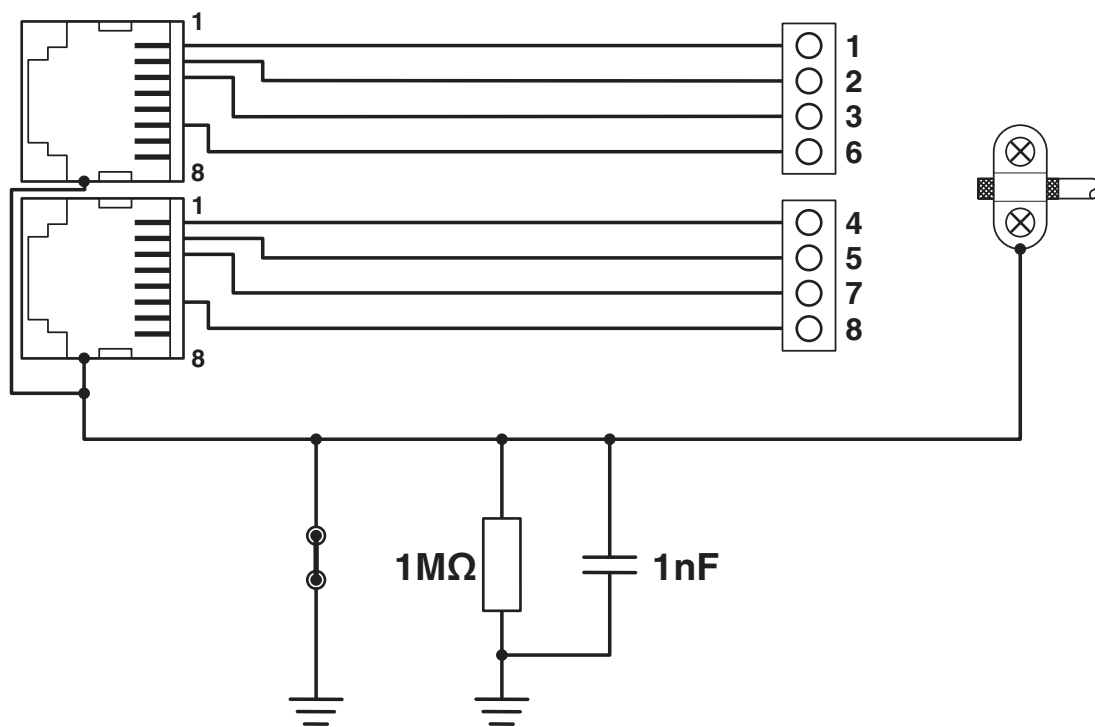
2904577

<https://www.phoenixcontact.com/us/products/2904577>

Circuit diagram



Circuit diagram



FL-PP-RJ45-SCC/SC045 - Patch panels



2904577

<https://www.phoenixcontact.com/us/products/2904577>

Classifications

ECLASS

ECLASS-11.0	19170112
ECLASS-12.0	19170112
ECLASS-13.0	19170112

ETIM

ETIM 8.0	EC002697
----------	----------

UNSPSC

UNSPSC 21.0	43223300
-------------	----------

FL-PP-RJ45-SCC/SC045 - Patch panels



2904577

<https://www.phoenixcontact.com/us/products/2904577>

Environmental product compliance

China RoHS	Environmentally Friendly Use Period = 50 years For information on hazardous substances, refer to the manufacturer's declaration available under "Downloads"
------------	--

FL-PP-RJ45-SCC/SC045 - Patch panels



2904577

<https://www.phoenixcontact.com/us/products/2904577>

Accessories

FL CRIMPTOOL - Assembly tool

2744869

<https://www.phoenixcontact.com/us/products/2744869>

Crimping pliers, for assembling the RJ45 plugs FL PLUG RJ45..., for assembly on site



VS-OE-OE-93E-100,0 - Data cable

1416295

<https://www.phoenixcontact.com/us/products/1416295>

Data cable, Ethernet CAT5 (100 Mbps), 4-position halogen-free, shielded, free cable end, on free cable end, cable length: 100 m



FL-PP-RJ45-SCC/SC045 - Patch panels



2904577

<https://www.phoenixcontact.com/us/products/2904577>

SZF 0-0,4X2,5 - Screwdriver

1204504

<https://www.phoenixcontact.com/us/products/1204504>



Actuation tool, for ST terminal blocks, also suitable for use as a bladed screwdriver, size: 0.4 x 2.5 x 75 mm, 2-component grip, with non-slip grip

FL ISOLATOR 100-RJ/RJ - Network isolator

2313931

<https://www.phoenixcontact.com/us/products/2313931>



Passive network isolator for electrical isolation in Ethernet networks. This protects Ethernet devices from potential differences of up to 4 kV. Can be used for transmission speeds of up to 100 Mbps. Possible to connect two RJ45 plugs.

FL-PP-RJ45-SCC/SC045 - Patch panels

2904577

<https://www.phoenixcontact.com/us/products/2904577>



FL ISOLATOR 1000-RJ/RJ - Network isolator

2313915

<https://www.phoenixcontact.com/us/products/2313915>



Passive network isolator for electrical isolation in Ethernet networks. This protects Ethernet devices from potential differences of up to 4 kV. Can be used for transmission speeds of up to 1 Gbps. Possible to connect two RJ45 plugs.

FL CAT5 PATCH 0,3 - Patch cable

2832250

<https://www.phoenixcontact.com/us/products/2832250>



Patch cable, CAT5, assembled, 0.3 m

FL-PP-RJ45-SCC/SC045 - Patch panels



2904577

<https://www.phoenixcontact.com/us/products/2904577>

FL CAT5 PATCH 0,5 - Patch cable

2832263

<https://www.phoenixcontact.com/us/products/2832263>



Patch cable, CAT5, assembled, 0.5 m

FL CAT5 PATCH 1,0 - Patch cable

2832276

<https://www.phoenixcontact.com/us/products/2832276>



Patch cable, CAT5, assembled, 1 m

FL-PP-RJ45-SCC/SC045 - Patch panels



2904577

<https://www.phoenixcontact.com/us/products/2904577>

FL CAT5 PATCH 1,5 - Patch cable

2832221

<https://www.phoenixcontact.com/us/products/2832221>



Patch cable, CAT5, assembled, 1.5 m

FL CAT5 PATCH 2,0 - Patch cable

2832289

<https://www.phoenixcontact.com/us/products/2832289>



Patch cable, CAT5, assembled, 2 m

FL-PP-RJ45-SCC/SC045 - Patch panels

2904577

<https://www.phoenixcontact.com/us/products/2904577>



FL CAT5 PATCH 3,0 - Patch cable

2832292

<https://www.phoenixcontact.com/us/products/2832292>



Patch cable, CAT5, assembled, 3 m

VS-CABLE-STRIP-VARIO - Stripping tool

1657407

<https://www.phoenixcontact.com/us/products/1657407>



Stripping tool, for the multi-level stripping of shielded cables

FL-PP-RJ45-SCC/SC045 - Patch panels

2904577

<https://www.phoenixcontact.com/us/products/2904577>

VS-08-RJ45-5-Q/IP20 - RJ45 connector

1656725

<https://www.phoenixcontact.com/us/products/1656725>



RJ45 connector, design: RJ45, degree of protection: IP20, number of positions: 8, 1 Gbps, CAT5, material: Plastic, connection method: Insulation displacement connection, connection cross section: AWG 26- 23, cable outlet: straight, color: traffic grey A RAL 7042, Ethernet

VS-08-RJ45-5-Q/IP20 BK - RJ45 connector

1658008

<https://www.phoenixcontact.com/us/products/1658008>



RJ45 connector, design: RJ45, degree of protection: IP20, number of positions: 8, 1 Gbps, CAT5, material: Plastic, connection method: Insulation displacement connection, connection cross section: AWG 26- 23, cable outlet: straight, color: black, Ethernet

FL-PP-RJ45-SCC/SC045 - Patch panels



2904577

<https://www.phoenixcontact.com/us/products/2904577>

NBC-R4AC-R4AC-IE8A/.../... - Patch cable

1411854

<https://www.phoenixcontact.com/us/products/1411854>



Patch cable, degree of protection: IP20, number of positions: 8, 10 Gbps, CAT6_A, cable outlet: straight, Ethernet

NBC-R4AC/10G-R4AC/10G-94F/2,0 - Patch cable

1408360

<https://www.phoenixcontact.com/us/products/1408360>



Patch cable, CAT6_A, 4-pair, shielded, connection not crossed (line), assembled at both ends with RJ45/IP20 connectors, outer sheath material: PUR, length: 2.0 m

FL-PP-RJ45-SCC/SC045 - Patch panels

2904577

<https://www.phoenixcontact.com/us/products/2904577>

NBC-R4AC/10G-R4AC/10G-94F/3,0 - Patch cable

1408365

<https://www.phoenixcontact.com/us/products/1408365>



Patch cable, CAT6_A, 4-pair, shielded, connection not crossed (line), assembled at both ends with RJ45/IP20 connectors, outer sheath material: PUR, length: 3.0 m

NBC-R4AC/1,0-93B/R4AC - Patch cable

1408968

<https://www.phoenixcontact.com/us/products/1408968>



Patch cable, degree of protection: IP20, cable length: 1 m, number of positions: 4, 100 Mbps, CAT5, material: PA 6.6, PROFINET

FL-PP-RJ45-SCC/SC045 - Patch panels



2904577

<https://www.phoenixcontact.com/us/products/2904577>

NBC-R4AC/2,0-93B/R4AC - Patch cable

1408969

<https://www.phoenixcontact.com/us/products/1408969>



Patch cable, degree of protection: IP20, cable length: 2 m, number of positions: 4, 100 Mbps, CAT5, material: PA 6.6, PROFINET

VS-08-RJ45-10G/Q - RJ45 connector

1419001

<https://www.phoenixcontact.com/us/products/1419001>



RJ45 connector, design: RJ45, degree of protection: IP20, number of positions: 8, 10 Gbps, CAT6_A, material: Plastic, connection method: Insulation displacement connection, connection cross section: AWG 26- 24, cable outlet: straight, color: black, Ethernet

FL-PP-RJ45-SCC/SC045 - Patch panels



2904577

<https://www.phoenixcontact.com/us/products/2904577>

VS-PN-RJ45-5-Q/IP20 - RJ45 connector

1658435

<https://www.phoenixcontact.com/us/products/1658435>



RJ45 connector, design: RJ45, degree of protection: IP20, number of positions: 4, 100 Mbps, CAT5, material: Plastic, connection method: Insulation displacement connection, cable outlet: straight, color: traffic grey A RAL 7042, PROFINET

Phoenix Contact 2023 © - all rights reserved

<https://www.phoenixcontact.com>

Phoenix Contact USA
586 Fulling Mill Road
Middletown, PA 17057, United States
(+717) 944-1300
info@phoenixcon.com