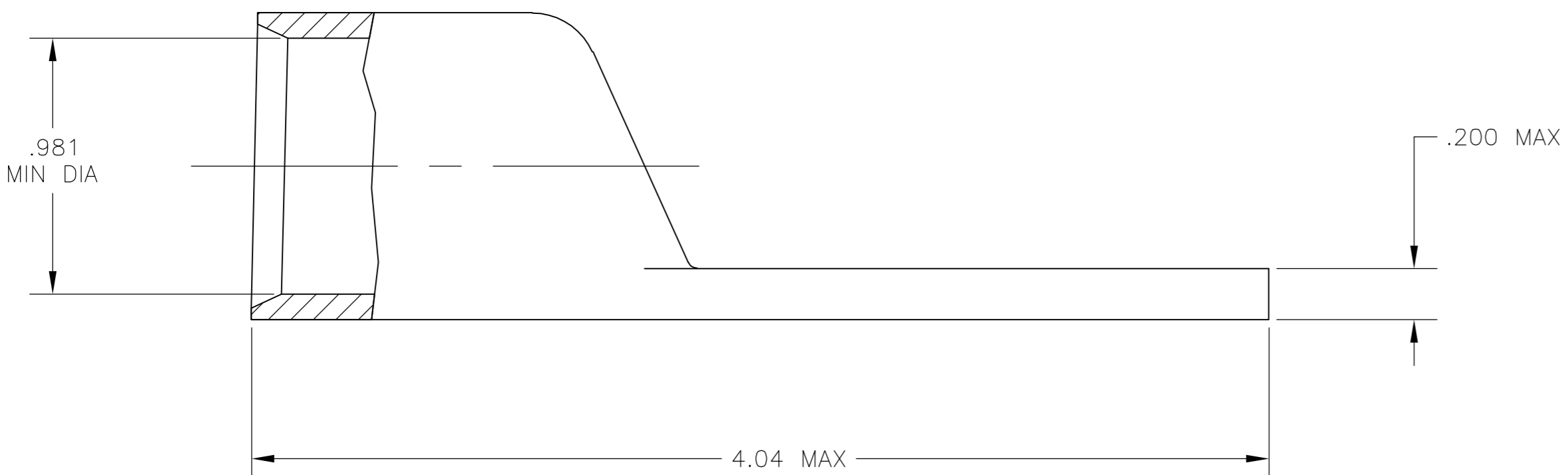
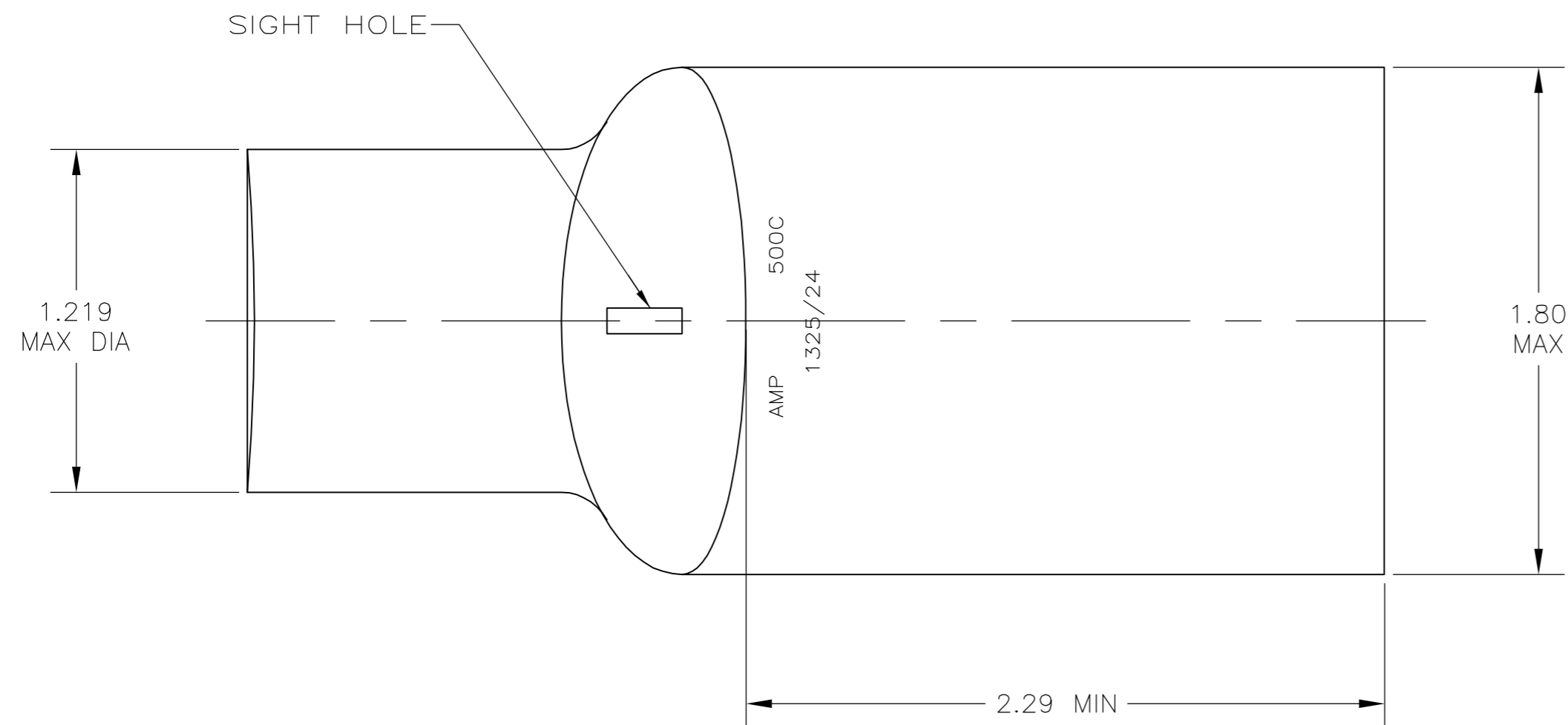


THIS DRAWING IS UNPUBLISHED. RELEASED FOR PUBLICATION  
 © COPYRIGHT BY TYCO ELECTRONICS CORPORATION. ALL RIGHTS RESERVED.

LOC	DIST	REVISIONS					
G	86	P	LTR	DESCRIPTION	DATE	DWN	APVD
		S		REACTIVATED PER ECR 07-009084	23APR07	JR	MS



- 1 CIRCULAR MIL AREA RANGE: 450-550 MCM
- 2 COPPER PER ASTM B-152, ANNEALED
- 3 .000150 MIN TIN PLATE PER ASTM B-545

326113  
 PART NO.

THIS DRAWING IS A CONTROLLED DOCUMENT.		DWN DK SCHRUM 03/16/90	Tyco Electronics Corporation Harrisburg, PA 17105-3608	
DIMENSIONS: INCHES		CHK MS FEHER 24JAN95	NAME	
TOLERANCES UNLESS OTHERWISE SPECIFIED:		APVD TL SHUTTER 24JAN95	PRODUCT SPEC	
0 PLC ± -		PRODUCT SPEC	108-30200	
1 PLC ± -		APPLICATION SPEC	-	
2 PLC ± .020		WEIGHT .412 LB	SIZE A2	CAGE CODE 00779
3 PLC ± -		CUSTOMER DRAWING	DRAWING NO C=326113	RESTRICTED TO -
4 PLC ± -			SCALE 2:1	SHEET 1 of 1
ANGLES ± -			REV S	
FINISH				